

(19) World Intellectual Property Organization
International Bureau



(43) International Publication Date
9 December 2010 (09.12.2010)

(10) International Publication Number
WO 2010/139331 A3

(51) International Patent Classification:
F26B 25/00 (2006.01)

Gehl [DK/DK]; St. Valbyvej 206, DK-4000 Roskilde (DK).

(21) International Application Number:
PCT/DK2010/000089

(74) Agent: LARSEN & BIRKEHOLM A/S; Skandinavisk Patentbureau, Banegårdspladsen 1, P.O. Box 362, DK-1570 Copenhagen V (DK).

(22) International Filing Date:
1 June 2010 (01.06.2010)

(81) Designated States (unless otherwise indicated, for every kind of national protection available): AE, AG, AL, AM, AO, AT, AU, AZ, BA, BB, BG, BH, BR, BW, BY, BZ, CA, CH, CL, CN, CO, CR, CU, CZ, DE, DK, DM, DO, DZ, EC, EE, EG, ES, FI, GB, GD, GE, GH, GM, GT, HN, HR, HU, ID, IL, IN, IS, JP, KE, KG, KM, KN, KP, KR, KZ, LA, LC, LK, LR, LS, LT, LU, LY, MA, MD, ME, MG, MK, MN, MW, MX, MY, MZ, NA, NG, NI, NO, NZ, OM, PE, PG, PH, PL, PT, RO, RS, RU, SC, SD, SE, SG, SK, SL, SM, ST, SV, SY, TH, TJ, TM, TN, TR, TT, TZ, UA, UG, US, UZ, VC, VN, ZA, ZM, ZW.

(25) Filing Language: Danish

(26) Publication Language: English

(30) Priority Data:
PA 2009 00691 3 June 2009 (03.06.2009) DK
PA 2010 00402 7 May 2010 (07.05.2010) DK

(71) Applicant (for all designated States except US): ASJ HOLDING APS [DK/DK]; Mølleåparken 50, DK-2800 Kongens Lyngby (DK).

(72) Inventors; and

(84) Designated States (unless otherwise indicated, for every kind of regional protection available): ARIPO (BW, GH, GM, KE, LR, LS, MW, MZ, NA, SD, SL, SZ, TZ, UG, ZM, ZW), Eurasian (AM, AZ, BY, KG, KZ, MD, RU, TJ,

(75) Inventors/Applicants (for US only): JENSEN, Arne, Sloth [DK/DK]; c/o ASJ Holding ApS, Mølleåparken 50, DK-2800 Kongens Lyngby (DK). LARSEN, Kasper,

[Continued on next page]

(54) Title: A SYSTEM AND A METHOD FOR THE WITHDRAWAL OF PARTICULATE SOLID MATTER FROM A PRESSURIZED CONTAINER CONTAINING A GAS, AND USE THEREOF

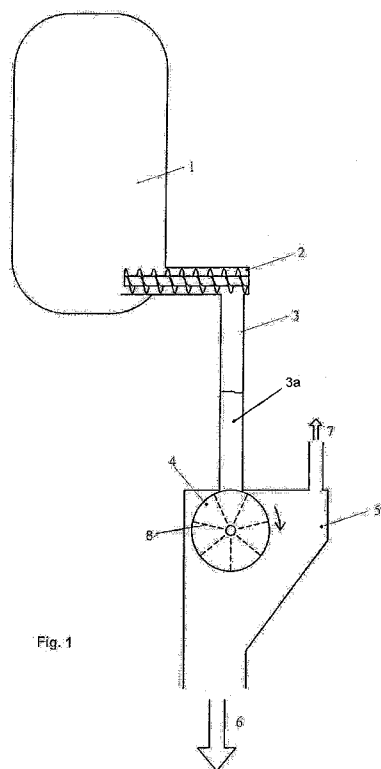


Fig. 1

(57) Abstract: A method and a system for the withdrawal of solid matter particles from a pressurized container, and use thereof. The method comprises withdrawal of solid matter particles from a container (1) pressurized by a gas, wherein the particles are transported out of the container (1), are conveyed through a zone with relatively densely packed particles (3a), and pass a metering mechanism (4, 4', 4''), across which there is a significantly reduced or no gas pressure difference, said gas being subjected to a pressure loss at the passage between the densely packed particles in the zone (3a) forwardly to the metering mechanism (4, 4', 4''). The system comprises a transport pipe (3), in which a zone (3a) of relatively densely packed particles is created, said gas being subjected to a pressure loss at its passage through this zone of particles because of the flow resistance in it. The transport pipe (3) is dimensioned so that there is a significantly reduced or no gas pressure difference across the subsequent metering mechanism (4, 4', 4''). A low steam loss is achieved by the use of the system and the method when particles are dried with superheated steam.

WO 2010/139331 A3



TM), European (AL, AT, BE, BG, CH, CY, CZ, DE, DK, EE, ES, FI, FR, GB, GR, HR, HU, IE, IS, IT, LT, LU, LV, MC, MK, MT, NL, NO, PL, PT, RO, SE, SI, SK, SM, TR), OAPI (BF, BJ, CF, CG, CI, CM, GA, GN, GQ, GW, ML, MR, NE, SN, TD, TG).

— *before the expiration of the time limit for amending the claims and to be republished in the event of receipt of amendments (Rule 48.2(h))*

(88) Date of publication of the international search report:
14 April 2011

Published:

— *with international search report (Art. 21(3))*

INTERNATIONAL SEARCH REPORT

International application No
PCT/DK2010/000089

A. CLASSIFICATION OF SUBJECT MATTER
INV. F26B25/00
ADD.

According to International Patent Classification (IPC) or to both national classification and IPC

B. FIELDS SEARCHED

Minimum documentation searched (classification system followed by classification symbols)
F26B

Documentation searched other than minimum documentation to the extent that such documents are included in the fields searched

Electronic data base consulted during the international search (name of data base and, where practical, search terms used)
EPO-Internal

Category*	Citation of document, with indication, where appropriate, of the relevant passages	Relevant to claim No.
X	EP 0 995 495 A1 (BOC GROUP INC [US]) 26 April 2000 (2000-04-26)	1,4,8,10
Y	figure 1B	2,5-7,15
A	paragraph [0001] - paragraph [0004] paragraph [0027] - paragraph [0030] paragraph [0153]	11,13

X	EP 0 955 511 A2 (ASJ HOLDING APS [DK]) 10 November 1999 (1999-11-10)	8,10,11, 13,14
Y	figures 1-5	2,5-7,15
	paragraph [0004] paragraph [0018] - paragraph [0028]	

X	GB 2 113 112 A (SANDOZ LTD) 3 August 1983 (1983-08-03)	8,10,12, 13
	figure 1 page 2, line 24 - line 54	

	-/--	

Further documents are listed in the continuation of Box C.

See patent family annex.

* Special categories of cited documents :

- "A" document defining the general state of the art which is not considered to be of particular relevance
- "E" earlier document but published on or after the international filing date
- "L" document which may throw doubts on priority claim(s) or which is cited to establish the publication date of another citation or other special reason (as specified)
- "O" document referring to an oral disclosure, use, exhibition or other means
- "P" document published prior to the international filing date but later than the priority date claimed

- "T" later document published after the international filing date or priority date and not in conflict with the application but cited to understand the principle or theory underlying the invention
- "X" document of particular relevance; the claimed invention cannot be considered novel or cannot be considered to involve an inventive step when the document is taken alone
- "Y" document of particular relevance; the claimed invention cannot be considered to involve an inventive step when the document is combined with one or more other such documents, such combination being obvious to a person skilled in the art.
- "&" document member of the same patent family

Date of the actual completion of the international search 16 February 2011	Date of mailing of the international search report 23/02/2011
---	--

Name and mailing address of the ISA/ European Patent Office, P.B. 5818 Patentlaan 2 NL - 2280 HV Rijswijk Tel. (+31-70) 340-2040, Fax: (+31-70) 340-3016	Authorized officer Etienne, Nicolas
--	--

INTERNATIONAL SEARCH REPORT

International application No
PCT/DK2010/000089

C(Continuation). DOCUMENTS CONSIDERED TO BE RELEVANT

Category*	Citation of document, with indication, where appropriate, of the relevant passages	Relevant to claim No.
X	DE 29 41 637 A1 (THAELMANN SCHWERMASCHBAU VEB) 12 June 1980 (1980-06-12) figures 1-3 page 4, line 10 page 4, line 38 - line 39 page 6, line 21 - page 8, line 10 -----	8,10,13, 14
A	DE 636 180 C (MIAG MUEHLENBAU; IND AKT GES) 6 October 1936 (1936-10-06) figure 1 page 1, line 38 - line 49 -----	2,11

INTERNATIONAL SEARCH REPORT

Information on patent family members

International application No

PCT/DK2010/000089

Patent document cited in search report	Publication date	Patent family member(s)	Publication date	
EP 0995495	A1	26-04-2000	GB 2343387 A JP 2000140614 A	10-05-2000 23-05-2000
EP 0955511	A2	10-11-1999	DE 69911111 D1 DE 69911111 T2 DK 0955511 T3 US 6122841 A	16-10-2003 03-06-2004 19-01-2004 26-09-2000
GB 2113112	A	03-08-1983	CH 652940 A5 FR 2519562 A1 IT 1160154 B JP 1710224 C JP 3075211 B JP 58214334 A US 4832700 A	13-12-1985 18-07-1983 04-03-1987 11-11-1992 29-11-1991 13-12-1983 23-05-1989
DE 2941637	A1	12-06-1980	AT 370766 B DD 140005 A1 SU 1262229 A1	10-05-1983 06-02-1980 07-10-1986
DE 636180	C	06-10-1936	NONE	