



- (51) International Patent Classification:
H02P 9/00 (2006.01) *H02H 7/06* (2006.01)
- (21) International Application Number:
PCT/EP2013/056185
- (22) International Filing Date:
25 March 2013 (25.03.2013)
- (25) Filing Language: English
- (26) Publication Language: English
- (30) Priority Data:
12166857.8 4 May 2012 (04.05.2012) EP
- (71) Applicant: SIEMENS AKTIENGESELLSCHAFT
[DE/DE]; Wittelsbacherplatz 2, 80333 München (DE).
- (72) Inventor: HAUGAN, Espen; Strinvdvegen 73, N-7052
Trondheim (NO).
- (81) Designated States (unless otherwise indicated, for every
kind of national protection available): AE, AG, AL, AM,
AO, AT, AU, AZ, BA, BB, BG, BH, BN, BR, BW, BY,
BZ, CA, CH, CL, CN, CO, CR, CU, CZ, DE, DK, DM,
DO, DZ, EC, EE, EG, ES, FI, GB, GD, GE, GH, GM, GT,
HN, HR, HU, ID, IL, IN, IS, JP, KE, KG, KM, KN, KP,
KR, KZ, LA, LC, LK, LR, LS, LT, LU, LY, MA, MD,

ME, MG, MK, MN, MW, MX, MY, MZ, NA, NG, NI,
NO, NZ, OM, PA, PE, PG, PH, PL, PT, QA, RO, RS, RU,
RW, SC, SD, SE, SG, SK, SL, SM, ST, SV, SY, TH, TJ,
TM, TN, TR, TT, TZ, UA, UG, US, UZ, VC, VN, ZA,
ZM, ZW.

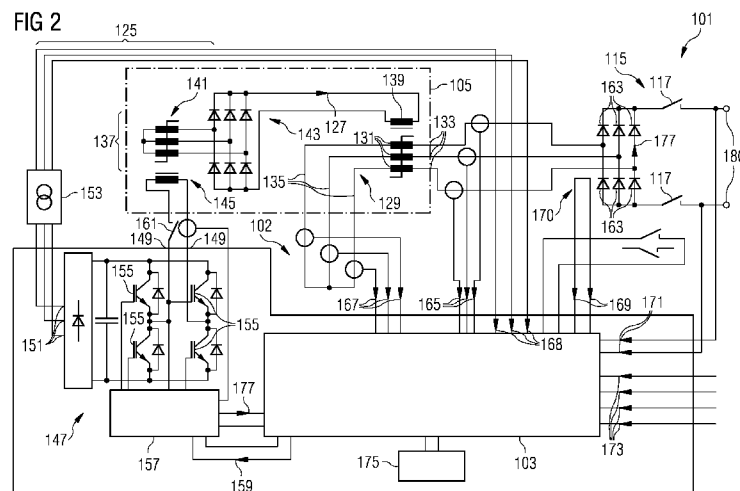
- (84) Designated States (unless otherwise indicated, for every
kind of regional protection available): ARIPO (BW, GH,
GM, KE, LR, LS, MW, MZ, NA, RW, SD, SL, SZ, TZ,
UG, ZM, ZW), Eurasian (AM, AZ, BY, KG, KZ, RU, TJ,
TM), European (AL, AT, BE, BG, CH, CY, CZ, DE, DK,
EE, ES, FI, FR, GB, GR, HR, HU, IE, IS, IT, LT, LU, LV,
MC, MK, MT, NL, NO, PL, PT, RO, RS, SE, SI, SK, SM,
TR), OAPI (BF, BJ, CF, CG, CI, CM, GA, GN, GQ, GW,
ML, MR, NE, SN, TD, TG).

Published:

- with international search report (Art. 21(3))
- before the expiration of the time limit for amending the
claims and to be republished in the event of receipt of
amendments (Rule 48.2(h))

- (88) Date of publication of the international search report:
15 May 2014

(54) Title: SYNCHRONOUS GENERATOR CONTROL, GENERATOR SYSTEM AND VESSEL ENERGY SYSTEM



(57) Abstract: It is described an arrangement (102) for controlling a synchronous generator (105) having a stator (129) comprising at least one stator winding (131) and having a rotor (137) with an electromagnet (139) driven by a field current (127), the rotor (137) being rotatable relative to the stator (129), the electromagnet (139) being inductively coupled to the stator winding (131), the arrangement (102) comprising: a measurement system adapted to measure at least one quantity (167, 165, 168, 169, 171); and a controller (103) adapted to cause shutting down the field current (127), if the quantity satisfies at least one criterion associated with at least one malfunction.

WO 2013/164138 A3

INTERNATIONAL SEARCH REPORT

International application No
PCT/EP2013/056185

A. CLASSIFICATION OF SUBJECT MATTER
INV. H02P9/00 H02H7/06
ADD.
According to International Patent Classification (IPC) or to both national classification and IPC

B. FIELDS SEARCHED
Minimum documentation searched (classification system followed by classification symbols)
H02H H02P
Documentation searched other than minimum documentation to the extent that such documents are included in the fields searched

Electronic data base consulted during the international search (name of data base and, where practicable, search terms used)
EPO-Internal, WPI Data

C. DOCUMENTS CONSIDERED TO BE RELEVANT		
Category*	Citation of document, with indication, where appropriate, of the relevant passages	Relevant to claim No.
X	DE 10 2011 054375 A1 (DENSO CORP [JP]) 26 April 2012 (2012-04-26)	1,2,8, 12-15, 17,18
Y	abstract paragraphs [0002], [0007], [0008], [0048] paragraph [0058] paragraphs [0138], [0141] paragraphs [0145], [0146] figures 1-4, 8, 10, 14, 16, 19, 20 -----	3-7, 9-11,16
Y	DE 37 30 829 A1 (SIEMENS AG [DE]) 23 March 1989 (1989-03-23) abstract column 1 - column 3 figures 3, 4 ----- -/--	3-7, 9-11,16

Further documents are listed in the continuation of Box C.

See patent family annex.

* Special categories of cited documents :

- "A" document defining the general state of the art which is not considered to be of particular relevance
- "E" earlier application or patent but published on or after the international filing date
- "L" document which may throw doubts on priority claim(s) or which is cited to establish the publication date of another citation or other special reason (as specified)
- "O" document referring to an oral disclosure, use, exhibition or other means
- "P" document published prior to the international filing date but later than the priority date claimed

"T" later document published after the international filing date or priority date and not in conflict with the application but cited to understand the principle or theory underlying the invention

"X" document of particular relevance; the claimed invention cannot be considered novel or cannot be considered to involve an inventive step when the document is taken alone

"Y" document of particular relevance; the claimed invention cannot be considered to involve an inventive step when the document is combined with one or more other such documents, such combination being obvious to a person skilled in the art

"&" document member of the same patent family

Date of the actual completion of the international search 25 March 2014	Date of mailing of the international search report 03/04/2014
Name and mailing address of the ISA/ European Patent Office, P.B. 5818 Patentlaan 2 NL - 2280 HV Rijswijk Tel. (+31-70) 340-2040, Fax: (+31-70) 340-3016	Authorized officer Roider, Anton

INTERNATIONAL SEARCH REPORT

International application No
PCT/EP2013/056185

C(Continuation). DOCUMENTS CONSIDERED TO BE RELEVANT		
Category*	Citation of document, with indication, where appropriate, of the relevant passages	Relevant to claim No.
Y	EP 0 740 392 A2 (NIPPON DENSO CO [JP] DENSO CORP [JP]) 30 October 1996 (1996-10-30) paragraphs [0001], [0011], [0021] paragraphs [0038], [0039] claims 11, 12 figures 1, 7, 14 -----	3-7, 9-11,16
A	DE 10 2009 025858 A1 (GEN ELECTRIC [US]) 3 December 2009 (2009-12-03) abstract paragraphs [0006], [0007] paragraph [0018] - paragraph [0021] figure 1 -----	1-17
A	DE 199 58 934 A1 (MITSUBISHI ELECTRIC CORP [JP]) 23 November 2000 (2000-11-23) abstract figure 1 -----	1,2,8

INTERNATIONAL SEARCH REPORT

Information on patent family members

International application No PCT/EP2013/056185

Patent document cited in search report	Publication date	Patent family member(s)	Publication date
DE 102011054375 A1	26-04-2012	DE 102011054375 A1	26-04-2012
		JP 2012090454 A	10-05-2012
		US 2012098503 A1	26-04-2012

DE 3730829 A1	23-03-1989	NONE	

EP 0740392 A2	30-10-1996	CN 1140922 A	22-01-1997
		DE 69622783 D1	12-09-2002
		DE 69622783 T2	02-01-2003
		EP 0740392 A2	30-10-1996
		JP 3724026 B2	07-12-2005
		JP H0919194 A	17-01-1997
		US 5726559 A	10-03-1998

DE 102009025858 A1	03-12-2009	DE 102009025858 A1	03-12-2009
		GB 2460515 A	09-12-2009
		JP 2009291062 A	10-12-2009
		KR 20090124971 A	03-12-2009
		US 2009296777 A1	03-12-2009

DE 19958934 A1	23-11-2000	DE 19958934 A1	23-11-2000
		FR 2793616 A1	17-11-2000
		JP 4093678 B2	04-06-2008
		JP 2000324893 A	24-11-2000
		US 6268986 B1	31-07-2001
