

(19) World Intellectual Property Organization
International Bureau



(43) International Publication Date
8 January 2009 (08.01.2009)

PCT

(10) International Publication Number
WO 2009/004330 A3

- (51) International Patent Classification:
G06F 1/32 (2006.01) G06F 1/08 (2006.01)
- (21) International Application Number:
PCT/GB2008/002265
- (22) International Filing Date: 30 June 2008 (30.06.2008)
- (25) Filing Language: English
- (26) Publication Language: English
- (30) Priority Data:
0712788.9 29 June 2007 (29.06.2007) GB
- (71) Applicant (for all designated States except US): IMAGINATION TECHNOLOGIES LIMITED [GB/GB];
Home Park Estate, Kings Langley, Hertfordshire WD4 8LZ (GB).

- (81) Designated States (unless otherwise indicated, for every kind of national protection available): AE, AG, AL, AM, AO, AT, AU, AZ, BA, BB, BG, BH, BR, BW, BY, BZ, CA, CH, CN, CO, CR, CU, CZ, DE, DK, DM, DO, DZ, EC, EE, EG, ES, FI, GB, GD, GE, GH, GM, GT, HN, HR, HU, ID, IL, IN, IS, JP, KE, KG, KM, KN, KP, KR, KZ, LA, LC, LK, LR, LS, LT, LU, LY, MA, MD, ME, MG, MK, MN, MW, MX, MY, MZ, NA, NG, NI, NO, NZ, OM, PG, PH, PL, PT, RO, RS, RU, SC, SD, SE, SG, SK, SL, SM, SV, SY, TJ, TM, TN, TR, TT, TZ, UA, UG, US, UZ, VC, VN, ZA, ZM, ZW.
- (84) Designated States (unless otherwise indicated, for every kind of regional protection available): ARIPO (BW, GH, GM, KE, LS, MW, MZ, NA, SD, SL, SZ, TZ, UG, ZM, ZW), Eurasian (AM, AZ, BY, KG, KZ, MD, RU, TJ, TM), European (AT, BE, BG, CH, CY, CZ, DE, DK, EE, ES, FI, FR, GB, GR, HR, HU, IE, IS, IT, LT, LU, LV, MC, MT, NL, NO, PL, PT, RO, SE, SI, SK, TR), OAPI (BF, BJ, CF, CG, CI, CM, GA, GN, GQ, GW, ML, MR, NE, SN, TD, TG).

- (72) Inventor; and
- (75) Inventor/Applicant (for US only): ROWLAND, Paul [GB/GB]; 17 Normandy Road, St Albans, Hertfordshire AL3 5QG (GB).
- (74) Agent: ROBSON, Aidan, John; Reddie & Grose, 16 Theobalds Road, London WC1X 8PL (GB).

- Published:
- with international search report
- before the expiration of the time limit for amending the claims and to be republished in the event of receipt of amendments
- (88) Date of publication of the international search report:
11 June 2009

(54) Title: CLOCK FREQUENCY ADJUSTMENT FOR SEMI-CONDUCTOR DEVICES

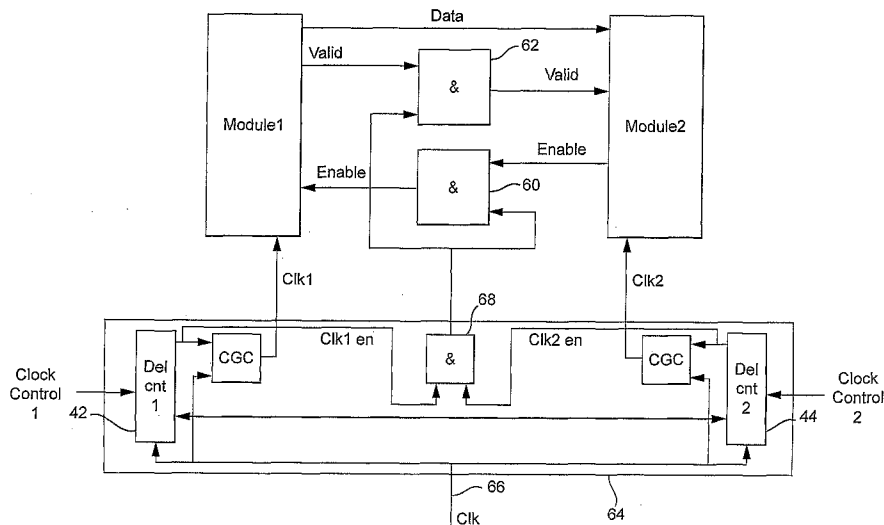


FIG. 5

(57) Abstract: A method and apparatus are provided for clocking data processing modules, which require differing average clock frequencies, and for transferring data between the modules. This comprises a means for providing a common clock signal to modules. Clock pulses are deleted from the common clock signal to individual modules in dependence on the clocking frequency required by each module. Clock pulses are applied to modules between which data is to be transferred at times consistent with the data transfer.

WO 2009/004330 A3

INTERNATIONAL SEARCH REPORT

International application No
PCT/GB2008/002265

A. CLASSIFICATION OF SUBJECT MATTER INV. G06F1/32 G06F1/08				
According to International Patent Classification (IPC) or to both national classification and IPC				
B. FIELDS SEARCHED				
Minimum documentation searched (classification system followed by classification symbols) G06F				
Documentation searched other than minimum documentation to the extent that such documents are included in the fields searched				
Electronic data base consulted during the international search (name of data base and, where practical, search terms used) EPO-Internal, WPI Data				
C. DOCUMENTS CONSIDERED TO BE RELEVANT				
Category*	Citation of document, with indication, where appropriate, of the relevant passages	Relevant to claim No.		
X	US 2005/055592 A1 (VELASCO FRANCISCO [US] ET AL) 10 March 2005 (2005-03-10) abstract; figures 2,3,21,23,24,31 paragraphs [0002], [0014], [0018], [0019], [0078] - [0082], [0100] - [0102], [0133] - [0150], [0158], [0159], [0167], [0168] paragraphs [0186], [0188], [0190]	1-32		
A	WO 02/091576 A (INFINEON TECHNOLOGIES AG [DE]; SEDLAK HOLGER [DE]; KNIFFLER OLIVER [DE]) 14 November 2002 (2002-11-14) abstract; figures 1,2 page 1, line 34 - page 2, line 11 page 2, line 23 - line 31 page 3, line 33 - page 4, line 4 ----- -/--	1-32		
<table style="width: 100%; border: none;"> <tr> <td style="width: 50%; border: none;"> <input checked="" type="checkbox"/> Further documents are listed in the continuation of Box C. </td> <td style="width: 50%; border: none;"> <input checked="" type="checkbox"/> See patent family annex. </td> </tr> </table>			<input checked="" type="checkbox"/> Further documents are listed in the continuation of Box C.	<input checked="" type="checkbox"/> See patent family annex.
<input checked="" type="checkbox"/> Further documents are listed in the continuation of Box C.	<input checked="" type="checkbox"/> See patent family annex.			
* Special categories of cited documents :				
<table style="width: 100%; border: none;"> <tr> <td style="width: 50%; vertical-align: top;"> *A* document defining the general state of the art which is not considered to be of particular relevance *E* earlier document but published on or after the international filing date *L* document which may throw doubts on priority claim(s) or which is cited to establish the publication date of another citation or other special reason (as specified) *O* document referring to an oral disclosure, use, exhibition or other means *P* document published prior to the international filing date but later than the priority date claimed </td> <td style="width: 50%; vertical-align: top;"> *T* later document published after the international filing date or priority date and not in conflict with the application but cited to understand the principle or theory underlying the invention *X* document of particular relevance; the claimed invention cannot be considered novel or cannot be considered to involve an inventive step when the document is taken alone *Y* document of particular relevance; the claimed invention cannot be considered to involve an inventive step when the document is combined with one or more other such documents, such combination being obvious to a person skilled in the art. *&* document member of the same patent family </td> </tr> </table>			*A* document defining the general state of the art which is not considered to be of particular relevance *E* earlier document but published on or after the international filing date *L* document which may throw doubts on priority claim(s) or which is cited to establish the publication date of another citation or other special reason (as specified) *O* document referring to an oral disclosure, use, exhibition or other means *P* document published prior to the international filing date but later than the priority date claimed	*T* later document published after the international filing date or priority date and not in conflict with the application but cited to understand the principle or theory underlying the invention *X* document of particular relevance; the claimed invention cannot be considered novel or cannot be considered to involve an inventive step when the document is taken alone *Y* document of particular relevance; the claimed invention cannot be considered to involve an inventive step when the document is combined with one or more other such documents, such combination being obvious to a person skilled in the art. *&* document member of the same patent family
A document defining the general state of the art which is not considered to be of particular relevance *E* earlier document but published on or after the international filing date *L* document which may throw doubts on priority claim(s) or which is cited to establish the publication date of another citation or other special reason (as specified) *O* document referring to an oral disclosure, use, exhibition or other means *P* document published prior to the international filing date but later than the priority date claimed	*T* later document published after the international filing date or priority date and not in conflict with the application but cited to understand the principle or theory underlying the invention *X* document of particular relevance; the claimed invention cannot be considered novel or cannot be considered to involve an inventive step when the document is taken alone *Y* document of particular relevance; the claimed invention cannot be considered to involve an inventive step when the document is combined with one or more other such documents, such combination being obvious to a person skilled in the art. *&* document member of the same patent family			
Date of the actual completion of the international search <h3 style="text-align: center;">3 April 2009</h3>		Date of mailing of the international search report <h3 style="text-align: center;">15/04/2009</h3>		
Name and mailing address of the ISA/ European Patent Office, P.B. 5818 Patentlaan 2 NL - 2280 HV Rijswijk Tel. (+31-70) 340-2040, Fax: (+31-70) 340-3016		Authorized officer <h3 style="text-align: center;">Griesbach, Axel</h3>		

INTERNATIONAL SEARCH REPORT

International application No
PCT/GB2008/002265

C(Continuation). DOCUMENTS CONSIDERED TO BE RELEVANT		
Category*	Citation of document, with indication, where appropriate, of the relevant passages	Relevant to claim No.
A	US 2006/195714 A1 (HANAHI HIROKAZU [JP]) 31 August 2006 (2006-08-31) abstract; figures 1,5 paragraphs [0005], [0010] - [0013], [0015], [0019], [0033], [0047] -----	1-32
A	US 5 192 914 A (SUDO KIYOSHI [US] ET AL) 9 March 1993 (1993-03-09) abstract column 1, line 10 - line 23 -----	1-32

INTERNATIONAL SEARCH REPORT

Information on patent family members

International application No PCT/GB2008/002265

Patent document cited in search report	Publication date	Publication date	Patent family member(s)	Publication date
US 2005055592	A1	10-03-2005	NONE	
<hr style="border-top: 1px dashed black;"/>				
WO 02091576	A	14-11-2002	AT 285599 T	15-01-2005
			BR 0209359 A	08-06-2004
			CN 1507585 A	23-06-2004
			DE 10121821 A1	14-11-2002
			EP 1386218 A2	04-02-2004
			JP 2004535705 T	25-11-2004
			MX PA03010071 A	02-04-2004
			RU 2256947 C1	20-07-2005
			TW 550887 B	01-09-2003
			UA 73662 C2	15-01-2004
			US 2004155530 A1	12-08-2004
<hr style="border-top: 1px dashed black;"/>				
US 2006195714	A1	31-08-2006	NONE	
<hr style="border-top: 1px dashed black;"/>				
US 5192914	A	09-03-1993	JP 2094314 C	02-10-1996
			JP 4078908 A	12-03-1992
			JP 8016857 B	21-02-1996
<hr style="border-top: 1px dashed black;"/>				