



(12) **DEMANDE DE BREVET CANADIEN
CANADIAN PATENT APPLICATION**

(13) **A1**

(86) Date de dépôt PCT/PCT Filing Date: 2021/01/29
 (87) Date publication PCT/PCT Publication Date: 2021/08/05
 (85) Entrée phase nationale/National Entry: 2022/07/18
 (86) N° demande PCT/PCT Application No.: US 2021/015901
 (87) N° publication PCT/PCT Publication No.: 2021/155287
 (30) Priorité/Priority: 2020/01/30 (US62/967,882)

(51) Cl.Int./Int.Cl. *A45C 13/02* (2006.01)
 (71) Demandeur/Applicant:
 THE SHERWIN-WILLIAMS COMPANY, US
 (72) Inventeurs/Inventors:
 GAURAV, SHARAD, US;
 GOODWIN, JR. EDWARD R., US;
 LAMBERTSON, JR. MICHAEL C., US
 (74) Agent: ITIP CANADA, INC.

(54) Titre : SAC A DOS CONCU ET ORGANISE POUR DES OUTILS DE PEINTURE
 (54) Title: BACKPACK DESIGNED & ORGANIZED FOR PAINTING TOOLS

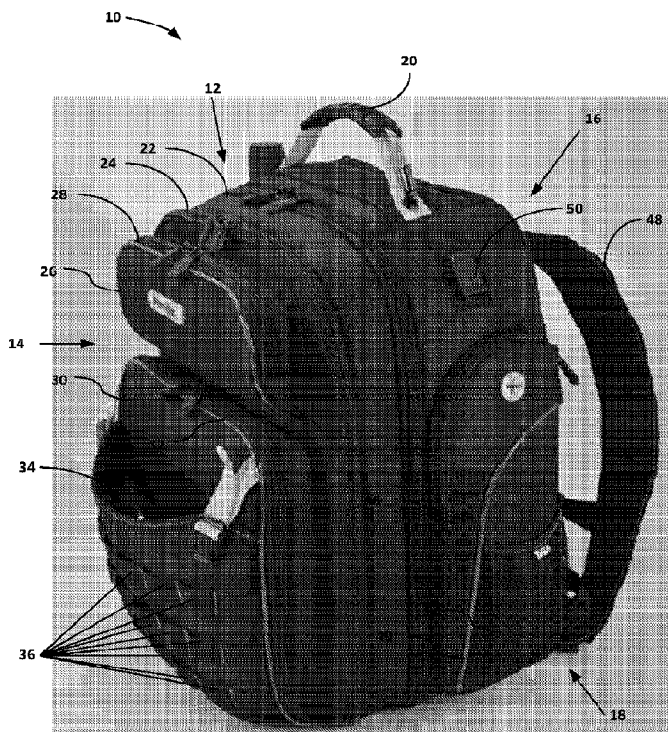


FIG. 1

(57) **Abrégé/Abstract:**

In an example embodiment, there is disclosed herein a backpack that is designed and organized for the storage and transport of painting tools. The backpack is designed to include storage for painting tools such as, for example, brushes, rollers, roller handles, putty knives, and/or an extension pole with other pockets allowing for the storage and transport of personal items. In particular embodiments, the backpack includes specific storage capabilities for wet tools so that they can be stored and transported to a different location for cleaning.

Date Submitted: 2022/07/18

CA App. No.: 3165189

Abstract:

In an example embodiment, there is disclosed herein a backpack that is designed and organized for the storage and transport of painting tools. The backpack is designed to include storage for painting tools such as, for example, brushes, rollers, roller handles, putty knives, and/or an extension pole with other pockets allowing for the storage and transport of personal items. In particular embodiments, the backpack includes specific storage capabilities for wet tools so that they can be stored and transported to a different location for cleaning.

Backpack Designed & Organized For Painting Tools

CROSS REFERENCE TO RELATED APPLICATIONS

[0001] This application claims the benefit of U.S. Provisional Application No. 62/967,882, filed January 30, 2020. The entire contents of the aforementioned application are hereby incorporated by reference herein.

TECHNICAL FIELD

[0002] The present disclosure relates generally to back packs.

BACKGROUND

[0003] Backpacks are often employed to carry items. Backpacks generally have shoulder straps. A user can put their arms through the shoulder straps and the backpack rests upon the users back and shoulders.

SUMMARY OF EXAMPLE EMBODIMENTS

[0004] The following presents a simplified overview of the example embodiments in order to provide a basic understanding of some aspects of the example embodiments. This overview is not an extensive overview of the example embodiments. It is intended to neither identify key or critical elements of the example embodiments nor delineate the scope of the appended claims. Its sole purpose is to present some concepts of the example embodiments in a simplified form as a prelude to the more detailed description that is presented later.

[0005] In accordance with an example embodiment, there is disclosed herein a backpack that is designed and organized for the storage and transport of painting tools. In particular embodiments, the backpack includes specific storage capabilities

for wet tools so that they can be stored and transported to a different location for cleaning.

BRIEF DESCRIPTION OF THE DRAWINGS

[0006] The accompanying drawings incorporated herein and forming a part of the specification illustrate the example embodiments.

[0007] FIG. 1 is a perspective view of a backpack in accordance with an example embodiment.

[0008] FIG. 2 is a view of the left side of the backpack illustrated in FIG. 1.

[0009] FIG. 3 is a front view of the backpack illustrated in FIG. 1.

[0010] FIG. 4 is a view of the right side of the backpack illustrated in FIG. 1.

[0011] FIG. 5 is a view of the bottom of the backpack illustrated in FIG. 1.

[0012] FIG. 6 is a top view of the backpack illustrated in FIG. 1.

[0013] FIG. 7 is a rear view of the backpack illustrated in FIG. 1.

[0014] FIG. 8 illustrates an example of the backpack illustrated in FIG. 1.

[0015] FIG. 9 illustrates a simplified cutaway view of the right side of the backpack along line A-A in FIG. 2.

[0016] FIG. 10 illustrates an example of the interior of a pocket located at the top of the front surface of the backpack illustrated in FIG. 1.

[0017] FIG. 11 illustrates an example of the interior of a pocket located at the bottom of the front surface of the backpack illustrated in FIG. 1.

[0018] FIG. 12 illustrates an example the exterior pocket coupled with the pocket located at the bottom of the front surface of the backpack illustrated in FIG. 1.

[0019] FIG. 13 illustrates an example of the interior of the pocket on the right surface of the backpack illustrated in FIG. 1.

[0020] FIG. 14 illustrates an example of a first panel of a first interior compartment.

[0021] FIG. 15 illustrates an example of a second panel of a first interior compartment.

[0022] FIG. 16 illustrates an example of a first panel of a second interior compartment.

[0023] FIG. 17 illustrates an example of a second panel of a second interior compartment.

[0024] FIG. 18 illustrates an example of the first compartment with various painting supplies stored therein.

[0025] FIG. 19 illustrates an example of the second compartment with various painting supplies stored therein.

[0026] FIG. 20 is a perspective view of a pouch in accordance with an example embodiment.

[0027] FIG. 21 is a view of the pouch illustrated in FIG. 20 showing an example of straps attached to the pouch that enable the pouch to engage slots on the backpack.

[0028] FIG. 22 illustrates an example of the snap being engaged to hold the pouch onto the backpack.

[0029] FIG. 23 illustrates an example of the backpack with the pouch attached thereon.

[0030] FIG. 24 illustrates an example of contents that can be held in the interior of the lower pocket located on the front surface of the backpack.

DESCRIPTION OF EXAMPLE EMBODIMENTS

[0031] This description provides examples not intended to limit the scope of the appended claims. The figures generally indicate the features of the examples, where it is understood and appreciated that like reference numerals are used to refer to like elements. Reference in the specification to "one embodiment" or "an embodiment" or

“an example embodiment” means that a particular feature, structure, or characteristic described is included in at least one embodiment described herein and does not imply that the feature, structure, or characteristic is present in all embodiments described herein.

[0032] In an example embodiment, there is disclosed herein a backpack that is designed and organized for the storage and transport of painting tools. The backpack is designed to include storage for painting tools such as, for example, brushes, roller frames, roller covers, putty knives, and/or an extension pole with other pockets allowing for the storage and transport of personal items. In particular embodiments, the backpack includes specific storage capabilities for wet tools so that they can be stored and transported to a different location for cleaning.

[0033] Referring to the figures, FIGS 1-7 illustrate various exterior views of a backpack 10 in accordance with an example embodiment. The backpack comprises a first (top) surface 12, a second (front) surface 14, a third (rear) surface 16, a fourth (right) surface 18, a fifth (left) surface 44, and a sixth (bottom) surface 52.

[0034] The top surface 12 comprises a handle 20 and zippers 22, 24. The handle 20 comprises a reinforcing member 60 and a grip 64. Zippers 22, 24 allow access to first and second interior compartments respectively which will be described in further detail herein *infra* (see e.g., references 72, 74 in FIG. 9).

[0035] The front surface 14 comprises a top pocket 26 and a bottom pocket 30. Zippers 28 provide access to the top pocket 26 and zippers 32 provide access to the bottom pocket 30. In an example embodiment, the top pocket 26 is lined with a soft material and can be employed for storing items such as glasses or safety eyewear.

[0036] In an example embodiment, an external pocket 34 is located outside of bottom pocket 30. Slots 36 are formed by material on the front of the external pocket 34. As will be described herein *infra*, the slots 36 can be employed for attaching items to the backpack 10.

[0037] The left surface 44 comprises an extension pole pocket 46. The extension pole pocket 46 is sized to fit an extension pole (not shown). Outside of the extension

pole pocket 46 are slots 36 that can be employed for attaching items to the backpack 10.

[0038] The right surface 18 comprises a pocket 38. Access to the pocket 38 is provided by zipper 40. An external pocket 42 is located outside of pocket 38. In an example embodiment, the external pocket 42 is a mesh and is configured to hold common beverage containers. The right surface further comprises a universal serial bus (“USB”) port 50.

[0039] The bottom surface 52 comprises feet 54. Feet 54 can provide stability to the backpack 10 while the bottom surface 52 is located on a horizontal surface (not shown, e.g., on a floor, table, or the ground). Feet 54A are located underneath the first interior compartment (e.g., 72 in FIG. 9) and feet 54B are located underneath the second interior compartment (e.g., 74 in FIG. 9). In an example embodiment, the feet 54 are rubber or a similar material.

[0040] A pocket 56 is located on the top surface 12 adjacent to the rear surface 16. Access to the pocket 56 is provided by zipper 58. In an example embodiment, pocket 56 is sized to fit personal items such as a wallet.

[0041] The rear surface 16 comprises shoulder straps 48. A user places their arms through shoulder straps 48 to wear the backpack 10 on their back. Chest straps 46 are attached to the shoulder straps 48. In an example embodiment, the chest straps further comprise engaging mechanisms 66. Engaging mechanisms 66 may be any suitable device for holding the shoulder straps 48 together, such as for example, clasps, male/female snaps, hook, and loop (e.g., VELCRO), buckles, etc. In an example embodiment, the rear surface 16 comprises waist straps 68 which are configured to wrap around a user’s waist. The straps 68 are held together by engaging mechanisms 70. Engaging mechanism 70 may be any suitable engaging mechanisms, such as, for example, the types of engaging mechanisms described for engaging mechanisms 66. FIG. 8 illustrates an example of a user employing both chest straps 64 and waist straps 68. Those skilled in the art can readily appreciate that in other embodiments only one of chest straps 64 or belt straps 68 may be employed and in particular embodiments there are no straps.

[0042] FIG. 9 illustrates a simplified cutaway view of the right side of the backpack along line A-A in FIG. 2. FIG. 9 illustrates the location of the first interior compartment 72 and the second interior compartment 74. The first interior compartment 72 comprises a first internal panel 76 and a second internal panel 78. The second interior compartment 64 comprises a third internal panel 80 and a fourth internal panel 82. Example configurations of the first and second compartments 72, 74 and panels 76, 78, 80, 82 will be described herein *infra*.

[0043] FIG. 10 illustrates an example of the upper interior 84 of a pocket 26 located at the top of the front surface 14 of the backpack 10 illustrated in FIG. 1. In an example embodiment, the interior 84 of the top pocket 26 is lined with a soft material and can be employed for storing items such as glasses, safety eyewear, or other items which may easily be scratched.

[0044] FIG. 11 illustrates an example of the interior 86 of the lower pocket 30 located on the front surface 14 of the backpack illustrated in FIG. 1. The pocket 30 has a first side 88 and a second side 90. A flap 92 is attached to the first side 88 of the pocket 30 and forms an internal pocket 94. A mesh 96 is located on the second side 90 of the pocket 30 and can be employed for storage. Zipper 98 provided access to the area encompassed by the mesh 96. A plurality of cylindrical storage areas 100 can be employed for holding writing utensils such as pens and/or pencils. Located on flap 92 are additional first and second (or left and right) pockets, respectively.

[0045] FIG. 12 illustrates an example the exterior pocket 34 coupled with the pocket 34 located at the bottom of the front surface 14 of the backpack 10 illustrated in FIG. 1. The pocket 34 has an interior area 106.

[0046] FIG. 13 illustrates an example of the interior 108 of the pocket 38 on the right surface 18 of the backpack 10 illustrated in FIG. 1. The interior 108 of the pocket has a first interior surface 118 and a second interior surface 120. The first interior surface 118 has an upper pocket 110 and a lower pocket 114. Access to the upper pocket 110 is provided by zipper 112. A mesh pocket 116 is located on the second surface 120.

[0047] FIG. 14 illustrates an example of a first panel 76 of a first interior compartment 72. The first panel comprises a mesh pocket 122 and pockets 124, 126, and 128

located along a sidewall 132 of the first panel 76. Mesh pocket 122 is sized and configured to fit a paint roller frames. In particular embodiments, mesh pocket 122 can hold up to eighteen inch paint roller frames. As will be illustrated herein *infra*, sidewalls 132 allow for the storage of various other items within first interior compartment 72.

[0048] In an example embodiment, a USB cable 130 can be coupled with USB port 50. Because pocket 12 is located adjacent to USB port 50, a power source or other device may be placed into pocket 128 and coupled via USB cable 130 to USB port 50 to provide power and/or data to an external device coupled to USB port 50.

[0049] FIG. 15 illustrates an example of a second panel 78 of a first interior compartment 72. In the illustrated example, the second panel comprises upper pockets 134 and lower pockets 136 that are sized and configured to hold roller covers of various sizes. For example, smaller roller covers can be placed in upper pockets 134 while larger roller covers can be placed into pockets 136.

[0050] FIG. 16 illustrates an example of a first panel 80 of a second interior compartment 74. Panel 80 comprises a plurality of pockets 138 that are configured and sized to hold paint brushes of various sizes.

[0051] FIG. 17 illustrates an example of a second panel 82 of a second interior compartment 74. Panel 82 comprises pockets 140 sized and configured to hold tools, such as, for example, putty knives of various sizes.

[0052] FIG. 18 illustrates an example of the first compartment 72 with various painting supplies stored therein. The example illustrates a pain roller frame and other items stored in internal panel 76 and paint roller covers stored in the second internal panel 78.

[0053] FIG. 19 illustrates an example of the second compartment 74 with various painting supplies stored therein. For example, brushes of various sizes are stored in pockets 138 of panel 80 and tools of various sizes are stored in pockets 140 of panel 82.

[0054] FIGS. 20 - 23 illustrate various views of a pouch 142 that can be employed for transporting wet painting supplies (e.g., brushes or roller covers). The pouch 142

has an interior compartment 144 that can be accessed via zippers 152. The pouch 142 further comprises straps 146 and female and male snaps 148, 150 respectively. As those skilled in the art can readily appreciate, the locations of the female and male snaps 148, 150 respectively can be swapped. Strap 148 is sized to fit within slots 36 on the front surface 14 so that pouch 142 will be attached to backpack 10 when the male 150 and female 148 parts of the snap are engaged with the strap looped around one or more of slots 36.

[0055] FIG. 24 illustrates an example of contents that can be held in the interior 86 of the lower pocket 30 located on the front surface 14 of the backpack 10. In the illustrated example, the contents include a calculator, note pad, book, and pens, although those skilled in the art can readily appreciate various other items may be stored in therein.

[0056] Described above are example embodiments. It is, of course, not possible to describe every conceivable combination of components or methodologies for purposes of describing the example embodiments, but one of ordinary skill in the art will recognize that many further combinations and permutations of the example embodiments are possible. Accordingly, it is intended to embrace all such alterations, modifications and variations that fall within the spirit and scope of any claims filed in applications claiming priority hereto interpreted in accordance with the breadth to which they are fairly, legally and equitably entitled.

CLAIMS

1. A backpack, comprising:

a top surface, a front surface, a rear surface, a right surface, a left surface, a , and a bottom surface;

a first interior compartment that comprises a first interior panel and a second interior panel, the first interior panel comprises a mesh pocket sized and configured to fit pain roller frames, the second interior panel comprises a plurality of upper pockets and a plurality of lower pockets that are sized and configured to hold roller covers of different sizes;

a second interior compartment that comprises a third interior panel and a fourth interior panel, the third panel comprises a plurality of pockets sized to hold paint brushes of various sizes and the fourth panel comprises pockets sized to hold putty knives of various sizes; and

the rear surface comprises shoulder straps and chest straps that are coupled with the shoulder straps, the chest straps further comprising an engaging mechanism for holding the shoulder straps together.

2. The backpack set forth in claim 1, further comprising:

the front surface further comprises a top pocket and a bottom pocket;

an external pocket located outside of the bottom pocket of the front surface;

a slot located on the external pocket; and

a pouch that comprises an interior compartment that is accessed via a zipper, a first opposing strap with a male snap and a second opposing strap has a female snap, wherein at least one of the first opposing strap and second opposing strap engages the slot and is held in place by engaging the male and female snaps.

3. The backpack set forth in claim 2, wherein the top pocket of the front surface comprises a first side and a second side, a flap on the first side of the top pocket forms an internal pocket and a mesh pocket is located on the second side of the top pocket of the front surface, and a plurality of cylindrical storage areas for storing writing utensils, the flap comprises first and second pockets.
4. The backpack set forth in claim 1, wherein the top surface further comprises first and second zippers providing access to the first and second compartments respectively.
5. The backpack set forth in claim 1, wherein the left surface further comprises an extension pole pocket and a plurality of slots for attaching items to the backpack located on the outside of the extension pole pocket.
6. The backpack set forth in claim 1, wherein the right surface further comprises an interior pocket and an external pocket located outside of the interior pocket.
7. The backpack set forth in claim 6, wherein the external pocket on the right surface is a mesh pocket.
8. The backpack set forth in claim 6, wherein the interior pocket on the right surface comprises a first interior surface and a second interior surface, the first interior surface has an upper pocket and a lower pocket, the second interior surface of the pocket on the right surface comprises a mesh pocket.
9. The backpack set forth in claim 1, wherein the bottom surface further comprises a first plurality of rubberized feet located under the first interior compartment and a second plurality of rubberized feet located under the second interior compartment.

10. The backpack set forth in claim 1, wherein the top surface further comprises a pocket with a zipper for controlling access to the pocket.

11. The backpack set forth in claim 1, wherein the rear surface further comprises waist straps coupled with the shoulder straps.

12. The backpack set forth in claim 1, wherein the right surface further comprises a universal serial bus port.

13. The backpack set forth in claim 12, further comprising a universal serial bus cable coupled with the universal serial bus port the universal serial bus cable is located within the first interior compartment.

14. The backpack set forth in claim 13, further comprising:
the first interior panel further comprises a pocket on a sidewall; and
a power source within the pocket, the power source is coupled with the universal serial bus cable.

15. The backpack set forth in claim 1, the left surface further comprises an extension pole pocket sized to receive an extension pole.

16. The backpack set forth in claim 15, further comprising a plurality of slots on an exterior surface of the extension pole pocket for attaching items thereto.

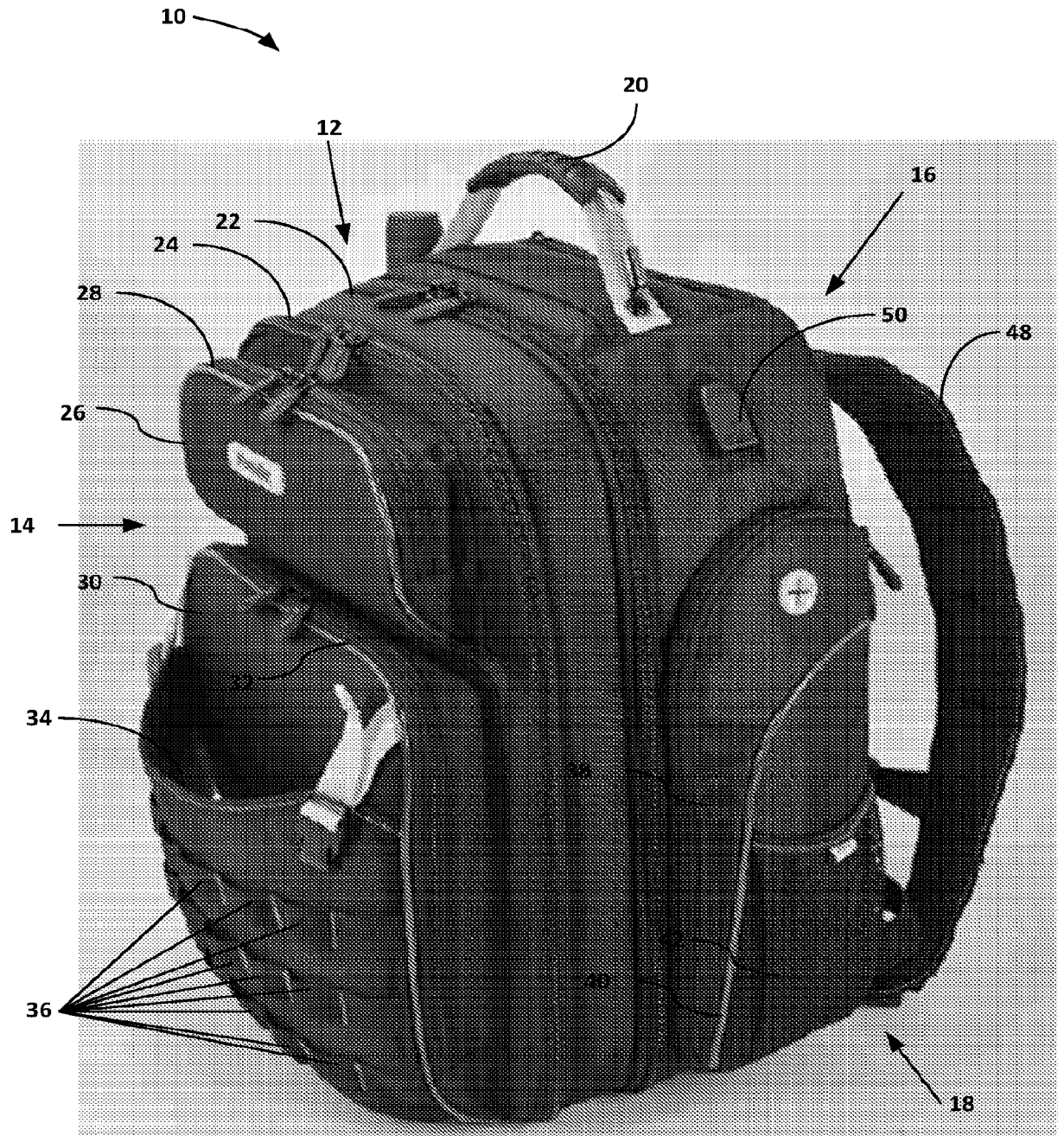


FIG. 1

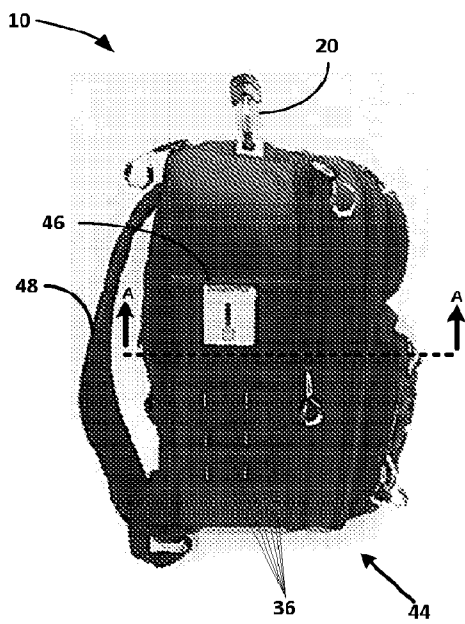


FIG. 2

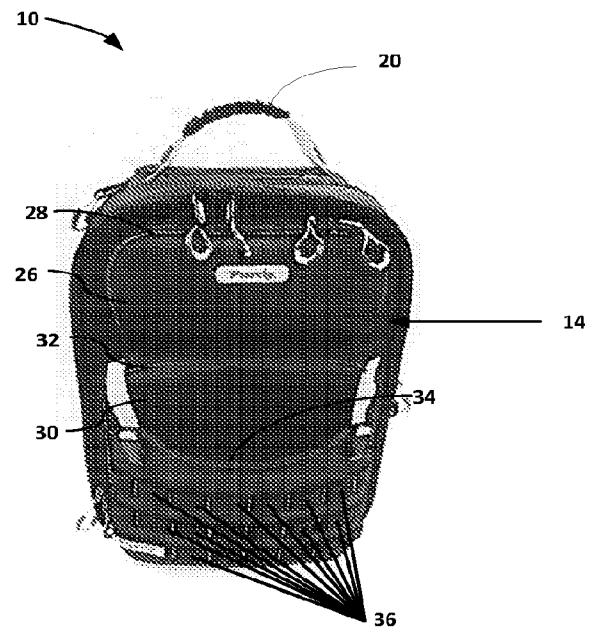


FIG. 3

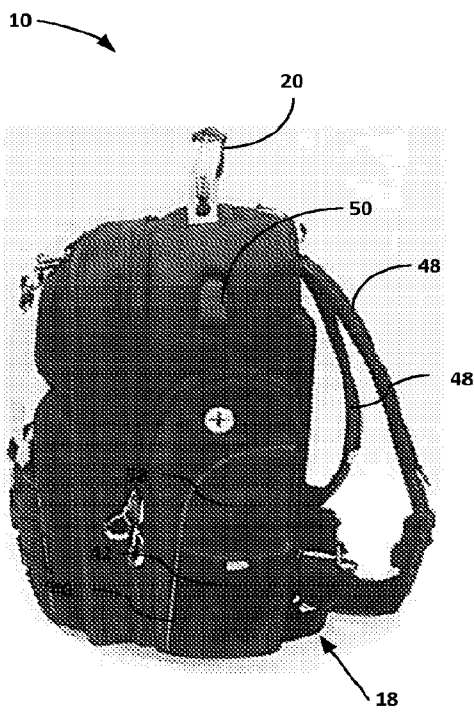


FIG. 4

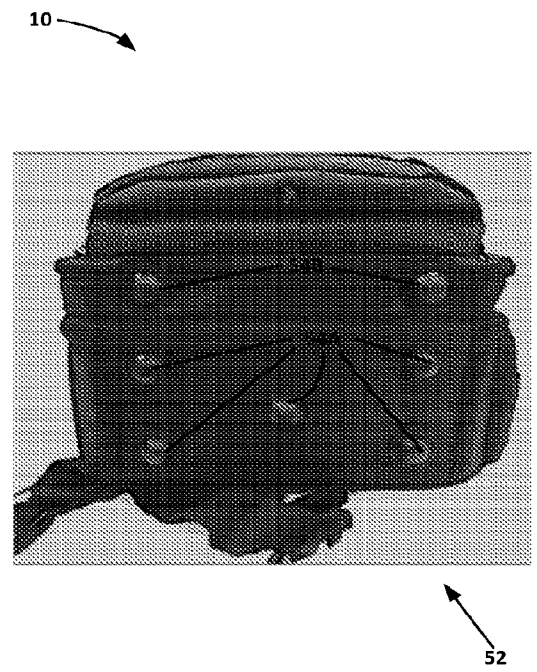


FIG. 5

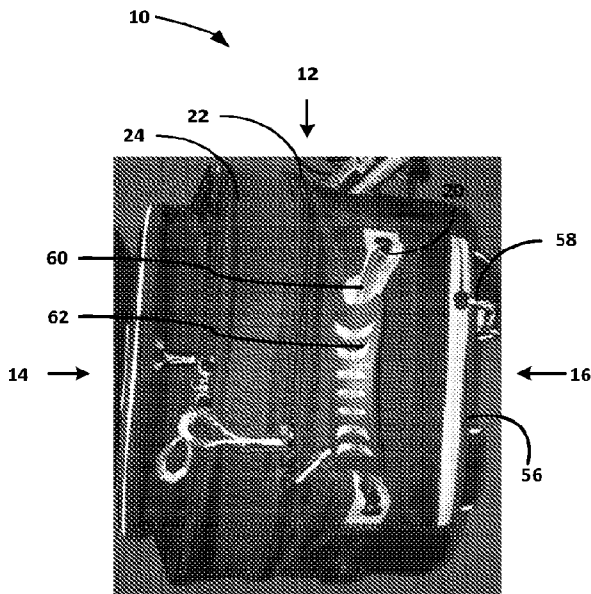


FIG. 6

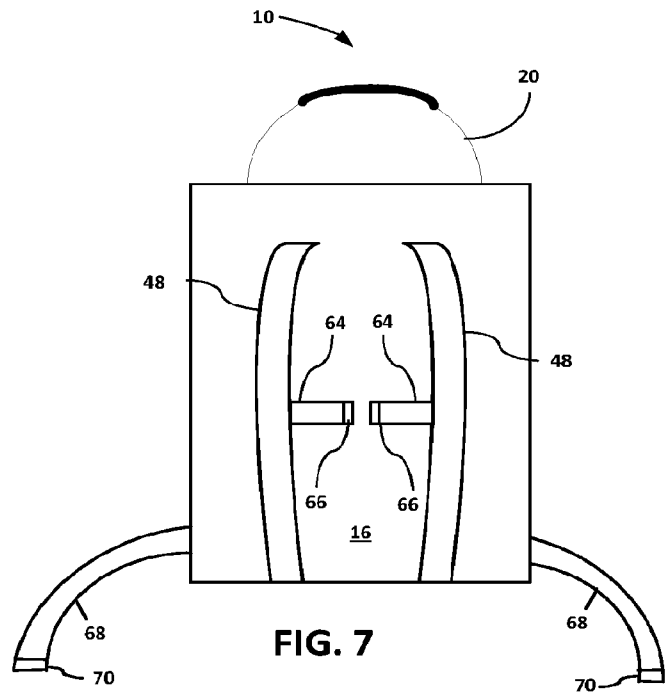


FIG. 7

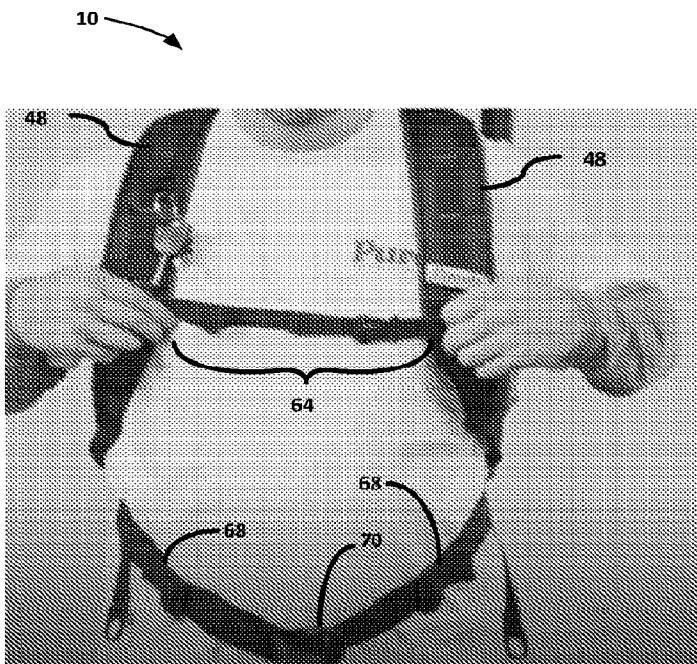


FIG. 8

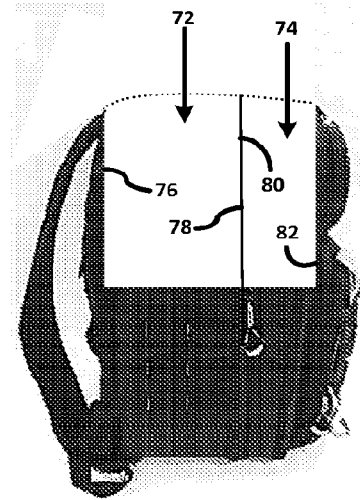


FIG. 9

FIG. 10

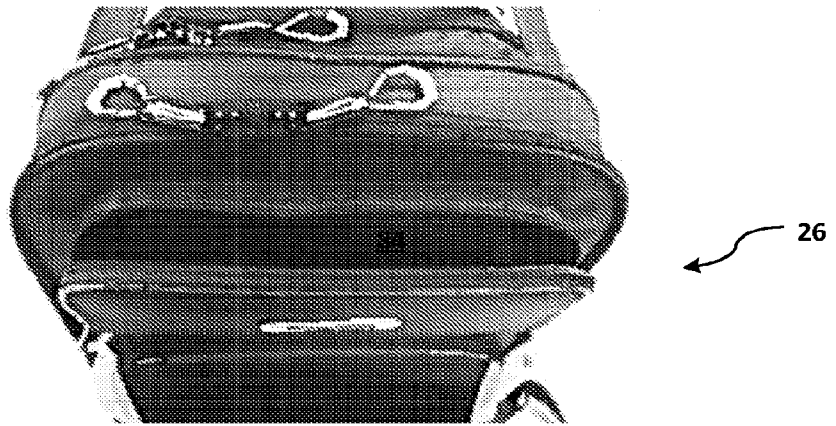


FIG. 11

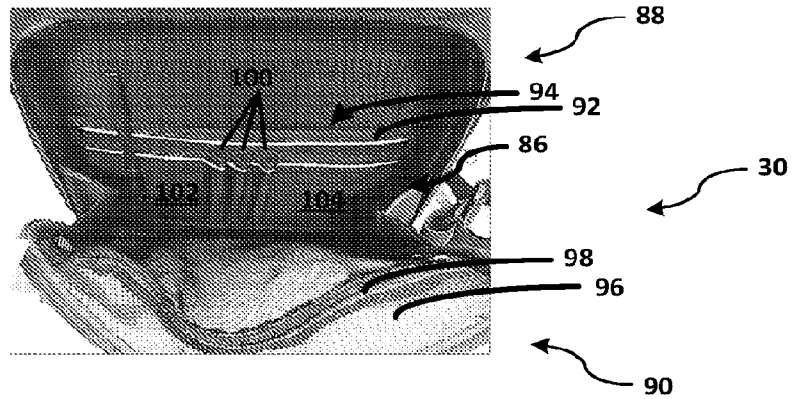
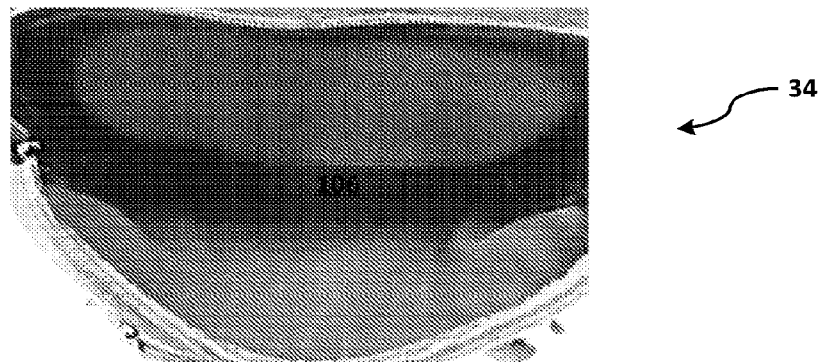


FIG. 12



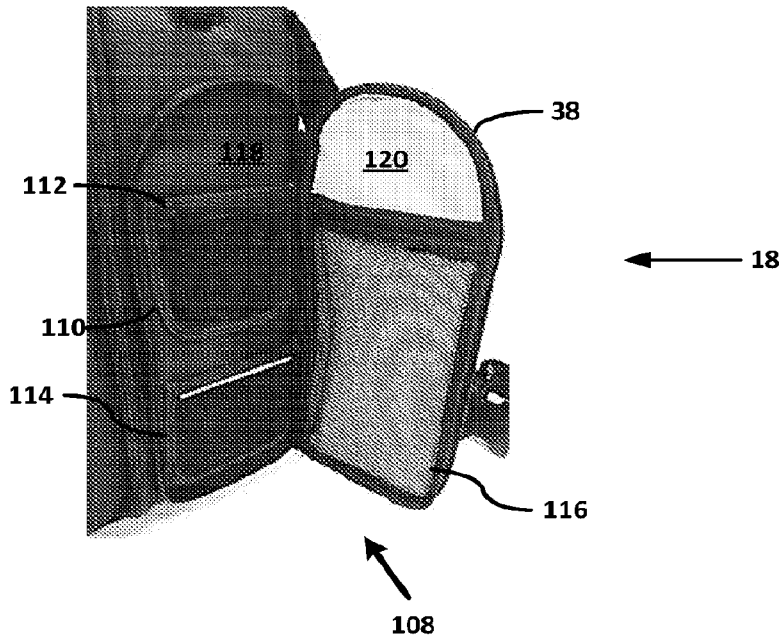


FIG. 13

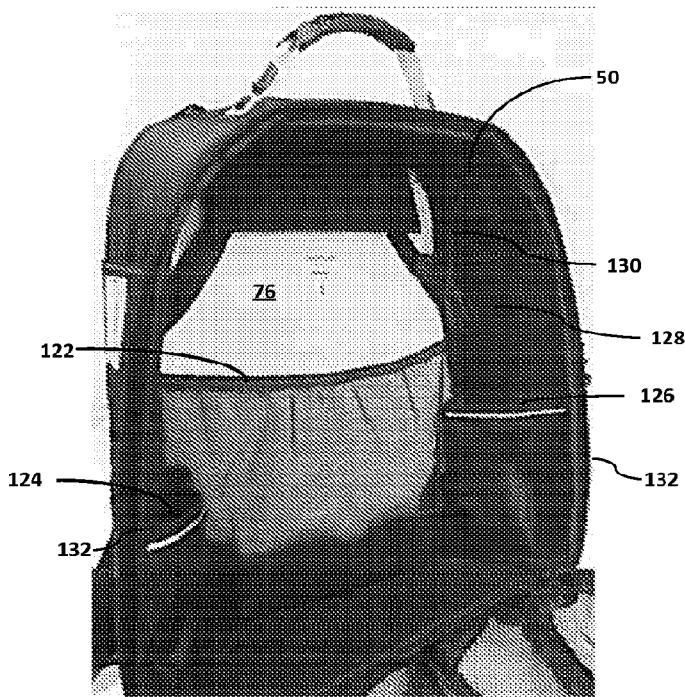


FIG. 14

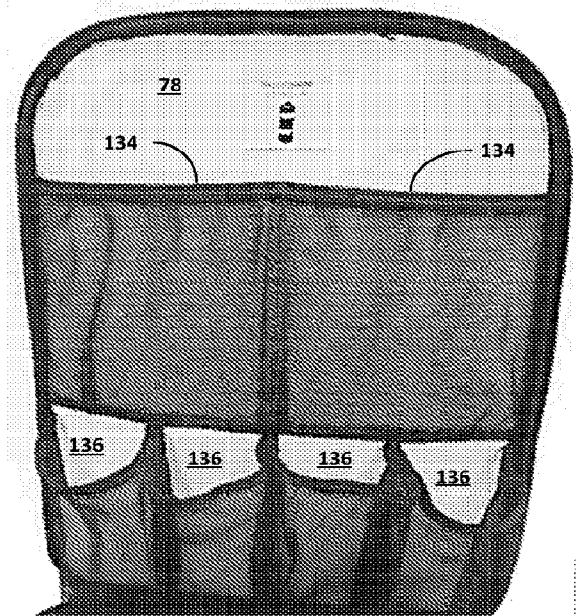


FIG. 15

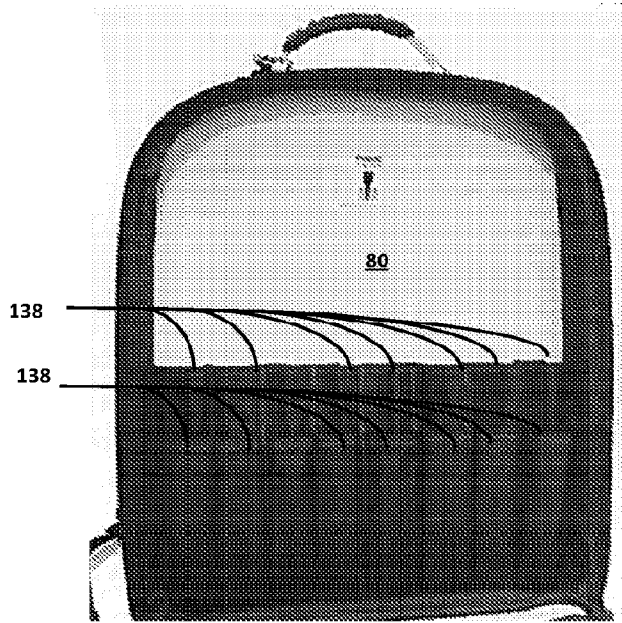


FIG. 16

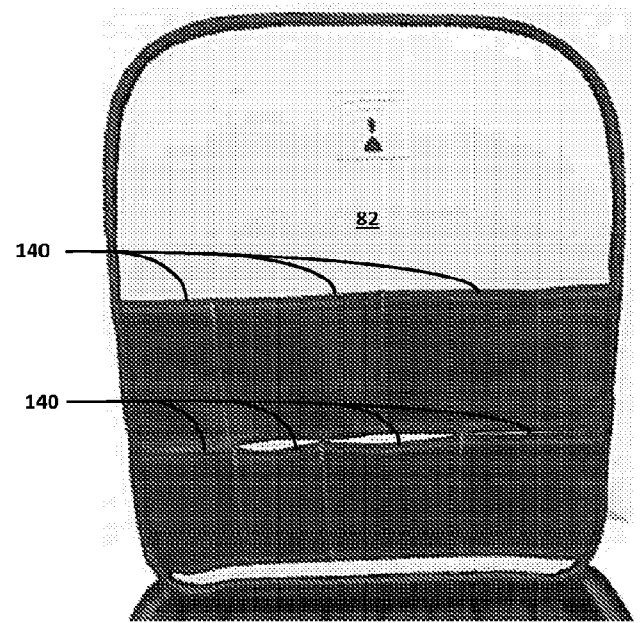


FIG. 17

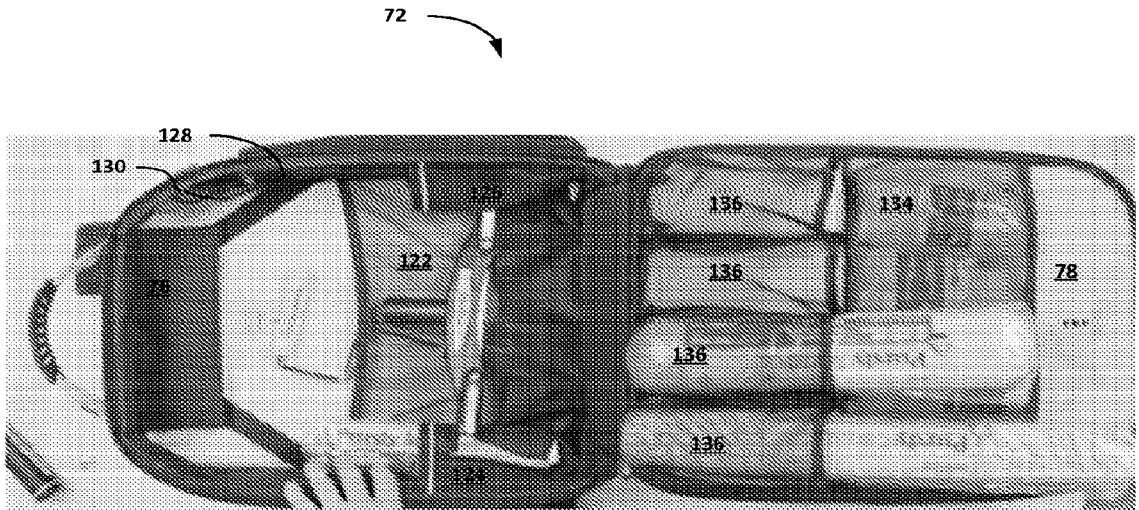


FIG. 18

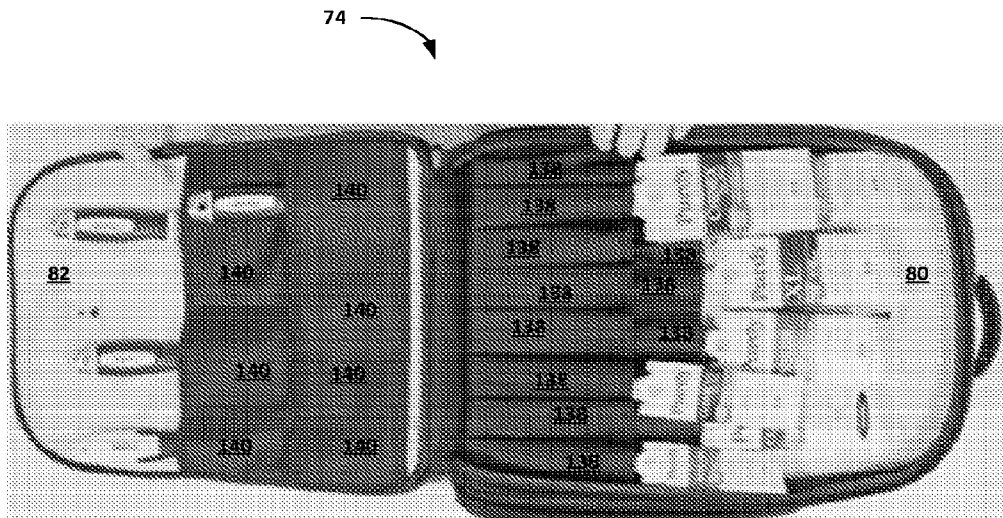


FIG. 19

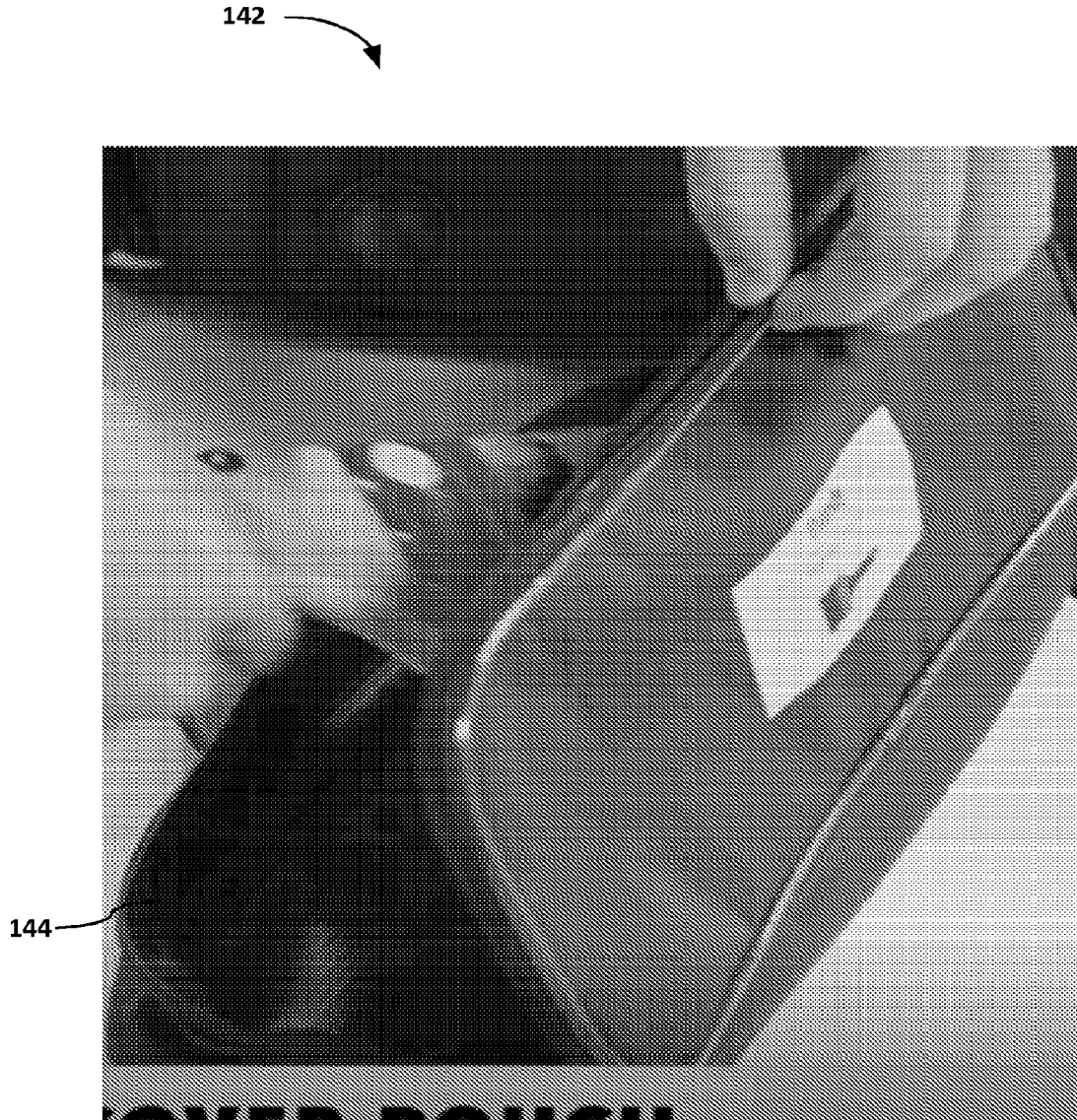


FIG. 20

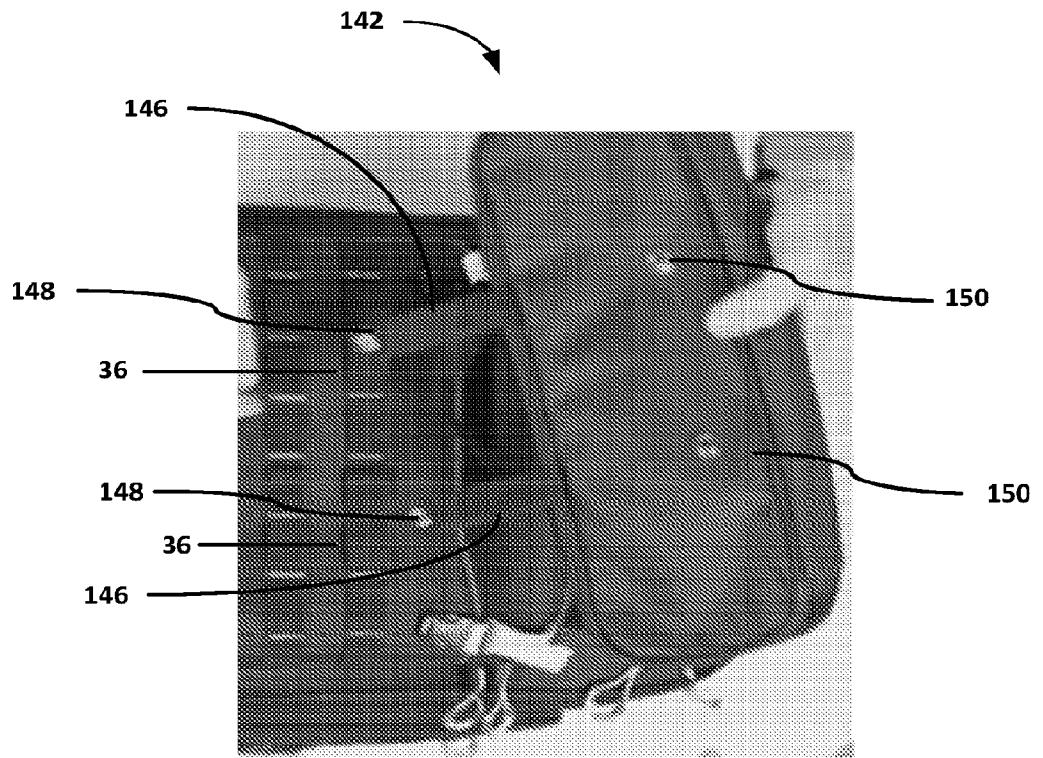


FIG. 21

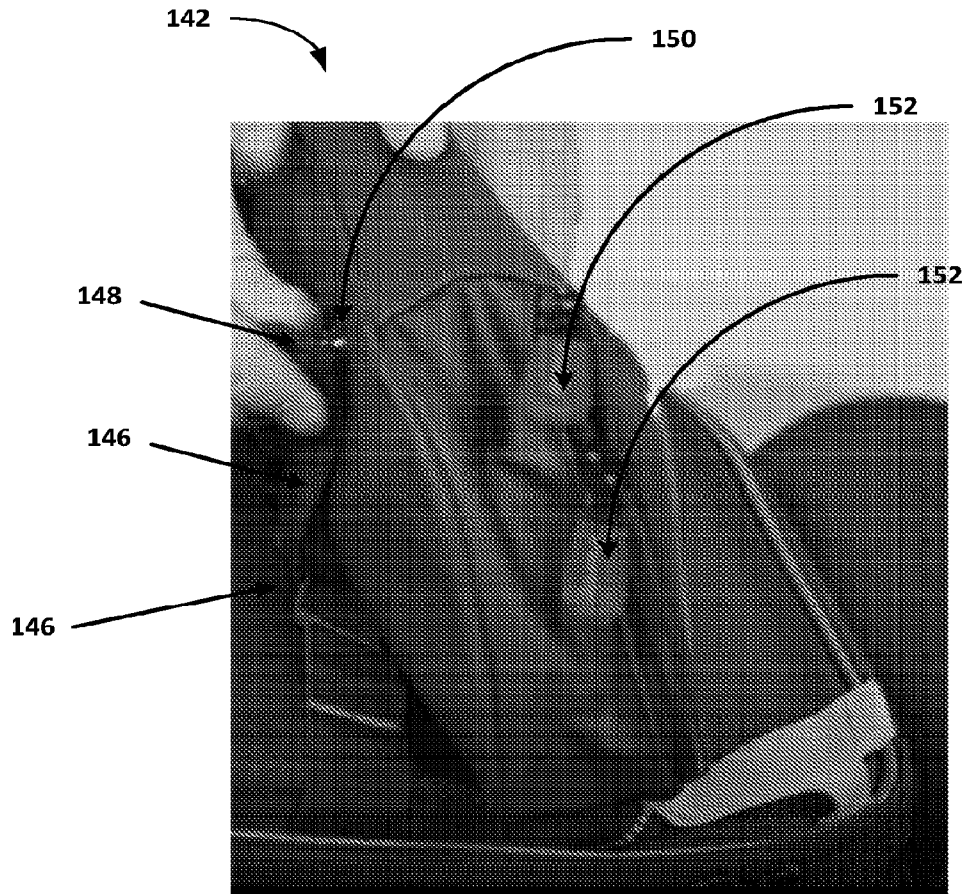


FIG. 22

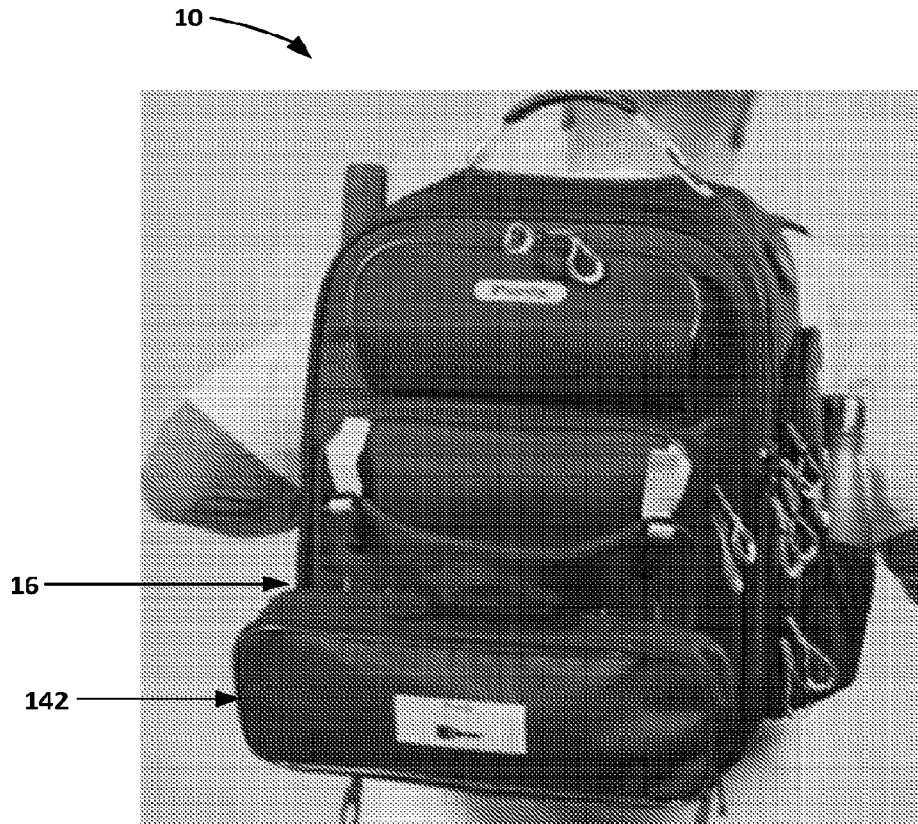


FIG. 23

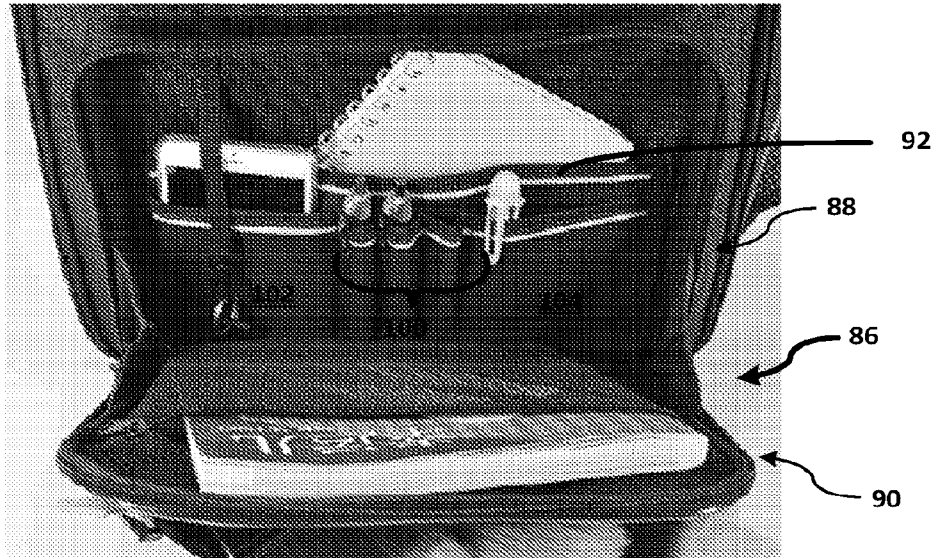


FIG. 24

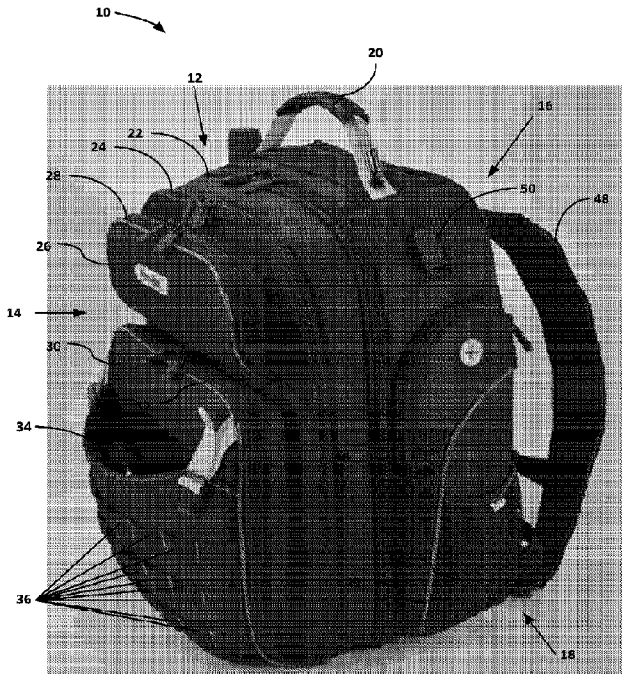


FIG. 1