

(19) World Intellectual Property Organization  
International Bureau



(43) International Publication Date  
24 October 2002 (24.10.2002)

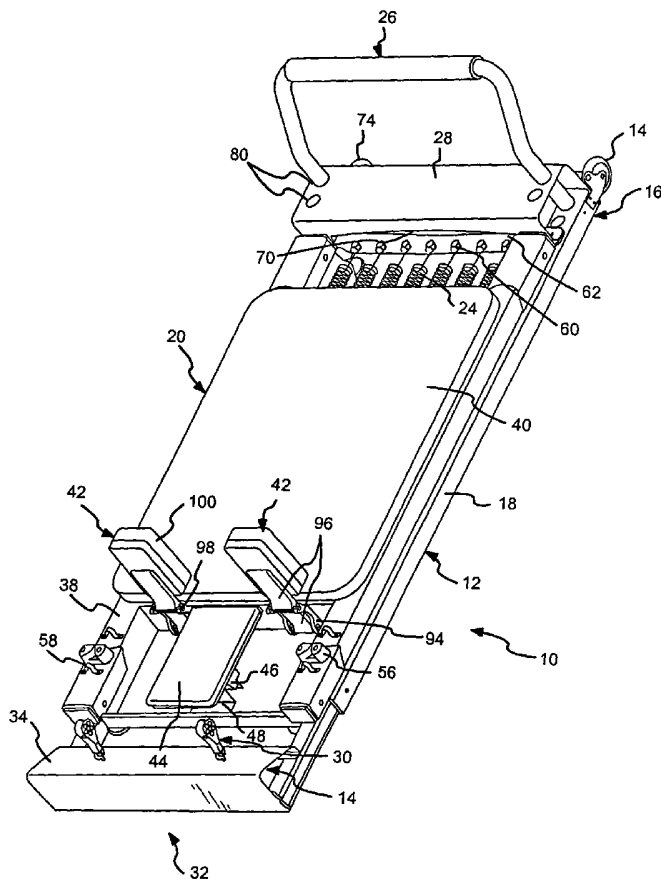
PCT

(10) International Publication Number  
WO 02/083251 A3

- (51) International Patent Classification<sup>7</sup>: A63B 21/055, 23/04
- (74) Agent: BRUESS, Steven, C.; Merchant & Gould P.C., P.O. Box 2903, Minneapolis, MN 55402-0903 (US).
- (21) International Application Number: PCT/US02/10993
- (22) International Filing Date: 8 April 2002 (08.04.2002)
- (25) Filing Language: English
- (26) Publication Language: English
- (30) Priority Data:  
09/835,204 12 April 2001 (12.04.2001) US  
10/035,842 24 December 2001 (24.12.2001) US
- (71) Applicant: BALANCED BODY, INC. [US/US]; Suite 23, 7500 - 14th Street, Sacramento, CA 95820-3539 (US).
- (72) Inventors: ENDELMAN, Ken; Suite 23, 7500 - 14th Street, Sacramento, CA 95820-3539 (US). JANOWSKI, Brian; 971 Highland Drive, Marquette, MI 49855-8903 (US).
- (81) Designated States (*national*): AE, AG, AL, AM, AT (utility model), AU, AZ, BA, BB, BG, BR, BY, BZ, CA, CH, CN, CO, CR, CU, CZ (utility model), DE (utility model), DK (utility model), DK, DM, DZ, EC, EE (utility model), EE, ES, FI (utility model), FI, GB, GD, GE, GH, GM, HR, HU, ID, IL, IN, IS, JP, KE, KG, KP, KR, KZ, LC, LK, LR, LS, LT, LU, LV, MA, MD, MG, MK, MN, MW, MX, MZ, NO, NZ, OM, PH, PL, PT, RO, RU, SD, SE, SG, SI, SK (utility model), SK, SL, TJ, TM, TN, TR, TT, TZ, UA, UG, UZ, VN, YU, ZA, ZM, ZW.
- (84) Designated States (*regional*): ARIPO patent (GH, GM, KE, LS, MW, MZ, SD, SL, SZ, TZ, UG, ZM, ZW), Eurasian patent (AM, AZ, BY, KG, KZ, MD, RU, TJ, TM), European patent (AT, BE, CH, CY, DE, DK, ES, FI, FR, GB, GR, IE, IT, LU, MC, NL, PT, SE, TR), OAPI patent

[Continued on next page]

(54) Title: COLLAPSIBLE REFORMER EXERCISE APPARATUS



(57) Abstract: An exercise apparatus comprising a generally rectangular extruded aluminum alloy frame having a head end and a foot end and including a pair of spaced apart parallel track members wherein the head end, the foot end, and the track or rail members are each formed from the metal extrusion material. The apparatus includes a movable carriage made of a rigid frame that moves along the rail members between the head and foot ends against one or more resistance members connected to the carriage and the foot end of the frame. Each of the rail members includes a longitudinal slot therein for receiving a foot support bar assembly. The rail members and head and foot end members are generally each metal tubular box extrusions and the rail members telescopically retract. Roller wheels attached to the carriage move along the top of the rail members and guide wheels move along the inside of the rail members. The invention further includes shoulder stops on the carriage that can be adjusted to a horizontal position so that the apparatus may be compactly stored.



WO 02/083251 A3



---

(BF, BJ, CF, CG, CI, CM, GA, GN, GQ, GW, ML, MR,  
NE, SN, TD, TG).

**(88) Date of publication of the international search report:**  
30 October 2003

**Published:**

— *with international search report*

*For two-letter codes and other abbreviations, refer to the "Guidance Notes on Codes and Abbreviations" appearing at the beginning of each regular issue of the PCT Gazette.*

INTERNATIONAL SEARCH REPORT

International Application No  
PCT/US 02/10993

A. CLASSIFICATION OF SUBJECT MATTER  
IPC 7 A63B21/055 A63B23/04

According to International Patent Classification (IPC) or to both national classification and IPC

B. FIELDS SEARCHED

Minimum documentation searched (classification system followed by classification symbols)  
IPC 7 A63B

Documentation searched other than minimum documentation to the extent that such documents are included in the fields searched

Electronic data base consulted during the international search (name of data base and, where practical, search terms used)

EPO-Internal, WPI Data, PAJ

C. DOCUMENTS CONSIDERED TO BE RELEVANT

Category °	Citation of document, with indication, where appropriate, of the relevant passages	Relevant to claim No.
X	US 6 186 929 B1 (ENDELMAN KEN ET AL) 13 February 2001 (2001-02-13)	1-7, 9-11, 26, 27
Y	the whole document	12-18
A	---	20, 22
Y	US 4 706 953 A (GRAHAM GARY A) 17 November 1987 (1987-11-17)	12, 13, 21
A	column 3, line 38 -column 5, line 33; figures	2-7, 9, 20
X	US 3 892 404 A (MARTUCCI THEODORE) 1 July 1975 (1975-07-01)	19, 20, 22-25
Y	column 1, line 59 -column 3, line 25	14-18, 21
A	column 5, line 1 -column 6, line 48 figures	2, 9-11
	---	
	-/--	

Further documents are listed in the continuation of box C.

Patent family members are listed in annex.

° Special categories of cited documents :

- "A" document defining the general state of the art which is not considered to be of particular relevance
- "E" earlier document but published on or after the international filing date
- "L" document which may throw doubts on priority claim(s) or which is cited to establish the publication date of another citation or other special reason (as specified)
- "O" document referring to an oral disclosure, use, exhibition or other means
- "P" document published prior to the international filing date but later than the priority date claimed

- "T" later document published after the international filing date or priority date and not in conflict with the application but cited to understand the principle or theory underlying the invention
- "X" document of particular relevance; the claimed invention cannot be considered novel or cannot be considered to involve an inventive step when the document is taken alone
- "Y" document of particular relevance; the claimed invention cannot be considered to involve an inventive step when the document is combined with one or more other such documents, such combination being obvious to a person skilled in the art.
- "&" document member of the same patent family

Date of the actual completion of the international search

15 January 2003

Date of mailing of the international search report

28. 01. 03

Name and mailing address of the ISA  
European Patent Office, P.B. 5818 Patentlaan 2  
NL - 2280 HV Rijswijk  
Tel. (+31-70) 340-2040, Tx. 31 651 epo nl,  
Fax: (+31-70) 340-3016

Authorized officer

Squeri, M

## INTERNATIONAL SEARCH REPORT

International Application No  
PCT/US 02/10993

C.(Continuation) DOCUMENTS CONSIDERED TO BE RELEVANT		
Category *	Citation of document, with indication, where appropriate, of the relevant passages	Relevant to claim No.
A	US 3 770 267 A (MC CARTHY M) 6 November 1973 (1973-11-06) the whole document ---	2-9, 20, 21
A	FR 2 481 125 A (BARBAFIERI GERARD) 30 October 1981 (1981-10-30) figure 3 ---	1, 19
A	US 4 775 150 A (GRAHAM GARY A) 4 October 1988 (1988-10-04) figures -----	12

INTERNATIONAL SEARCH REPORT

national application No.  
PCT/US 02/10993

**Box I Observations where certain claims were found unsearchable (Continuation of item 1 of first sheet)**

This International Search Report has not been established in respect of certain claims under Article 17(2)(a) for the following reasons:

1.  Claims Nos.:  
because they relate to subject matter not required to be searched by this Authority, namely:
  
2.  Claims Nos.:  
because they relate to parts of the International Application that do not comply with the prescribed requirements to such an extent that no meaningful International Search can be carried out, specifically:
  
3.  Claims Nos.:  
because they are dependent claims and are not drafted in accordance with the second and third sentences of Rule 6.4(a).

**Box II Observations where unity of invention is lacking (Continuation of item 2 of first sheet)**

This International Searching Authority found multiple inventions in this international application, as follows:

see additional sheet

1.  As all required additional search fees were timely paid by the applicant, this International Search Report covers all searchable claims.
  
2.  As all searchable claims could be searched without effort justifying an additional fee, this Authority did not invite payment of any additional fee.
  
3.  As only some of the required additional search fees were timely paid by the applicant, this International Search Report covers only those claims for which fees were paid, specifically claims Nos.:
  
4.  No required additional search fees were timely paid by the applicant. Consequently, this International Search Report is restricted to the invention first mentioned in the claims; it is covered by claims Nos.:

**Remark on Protest**

- The additional search fees were accompanied by the applicant's protest.
- No protest accompanied the payment of additional search fees.

## FURTHER INFORMATION CONTINUED FROM PCT/ISA/ 210

This International Searching Authority found multiple (groups of) inventions in this international application, as follows:

1. Claims: 1-11

An exercise apparatus with a rectangular frame having a pair of spaced apart parallel track members, a plurality of elongated elastic members and a movable carriage for movement along the track members is already well known in the prior art (see the documents cited in the description of the application and also, for example, US-B1-6186929 from the same inventors).

The special technical features of claim 1 over the known exercise apparatus are the characteristics of the carriage which has a frame made of sheet material folded and a plurality of transverse ribs.

2. Claims: 12-13

The independent claims 12 and 13 disclose the foldable shoulder stops used in an exercise apparatus like the one known from the prior art, whereby the characterising features of the carriage, however, are not disclosed.

3. Claims: 14-18

The special technical feature of claim 14 over the known generic exercise apparatus is that the tracks are telescopically collapsible.

4. Claims: 19-25

The exercise apparatus of claim 19 is characterised by the particular features of the carriage, the telescopically collapsible tracks and the wheels under the carriage, whereby the elongated elastic members, however, are not disclosed.

5. Claims: 26-27

The special technical feature of claim 26 over the known generic exercise apparatus is the connection of the jump board to the frame.

## INTERNATIONAL SEARCH REPORT

Information on patent family members

International Application No

PCT/US 02/10993

Patent document cited in search report		Publication date	Patent family member(s)	Publication date
US 6186929	B1	13-02-2001	AU 3525200 A BR 0008935 A EP 1165189 A1 WO 0053267 A1 US 2002058573 A1 US 6371895 B1 US 2001056011 A1	28-09-2000 29-01-2002 02-01-2002 14-09-2000 16-05-2002 16-04-2002 27-12-2001
US 4706953	A	17-11-1987	CA 1306475 A1	18-08-1992
US 3892404	A	01-07-1975	NONE	
US 3770267	A	06-11-1973	JP 48100224 A	18-12-1973
FR 2481125	A	30-10-1981	FR 2481125 A3	30-10-1981
US 4775150	A	04-10-1988	NONE	