



US00D632832S

(12) **United States Design Patent**
Lown et al.

(10) **Patent No.:** **US D632,832 S**

(45) **Date of Patent:** **** Feb. 15, 2011**

(54) **LIGHTING FIXTURE**

(75) Inventors: **Charles Edward Lown**, Maybrook, NY (US); **Edward Neil Conathan**, Saugerties, NY (US); **Daniel Frederick Nesbitt**, Cincinnati, OH (US)

(73) Assignee: **LSI Industries, Inc.**, Cincinnati, OH (US)

(**) Term: **14 Years**

(21) Appl. No.: **29/353,571**

(22) Filed: **Jan. 11, 2010**

Related U.S. Application Data

(62) Division of application No. 29/304,480, filed on Mar. 3, 2008, now Pat. No. Des. 609,854.

(51) **LOC (9) Cl.** **26-99**

(52) **U.S. Cl.** **D26/120**

(58) **Field of Classification Search** D26/142, D26/149, 150, 151, 152, 119, 121, 128, 129, D26/130, 140, 141, 76, 120, 122, 118, 113, D26/138, 74, 77, 60, 75, 78, 80, 81, 82, 83, D26/85, 86, 88, 89, 90, 26, 35; D8/312, D8/310, 305, 307; D11/90, 222, 226; 362/342, 362/600, 601, 605, 606, 607, 608, 632, 633, 362/558, 572, 573, 576, 145, 147, 217.01–217.11, 362/217.14, 217.15, 246, 248, 279, 290, 362/325, 354, 355, 364, 366; D23/254, 250; D6/580, 300, 492, 579; D25/103, 124, 122, D25/123, 125, 106, 109, 110, 138

See application file for complete search history.

(56) **References Cited**

U.S. PATENT DOCUMENTS

D156,743 S * 1/1950 Kennedy D26/59
4,277,820 A * 7/1981 Bostonian 362/223
5,988,829 A * 11/1999 Holder 362/223

(Continued)

Primary Examiner—Cathron C Brooks

Assistant Examiner—Kevin K Rudzinski

(74) *Attorney, Agent, or Firm*—Hasse & Nesbitt LLC; Daniel F. Nesbitt

(57) **CLAIM**

We claim the ornamental design for a lighting fixture, as shown and described.

DESCRIPTION

FIG. 1 shows a bottom perspective view of a lighting fixture of the invention.

FIG. 2 shows a cross section elevation view of the lighting fixture, taken through line 2—2 of FIG. 1.

FIG. 3 shows a cross section elevation view of the lighting fixture, taken through line 3—3 of FIG. 1.

FIG. 4 shows a bottom view of the lighting fixture of FIG. 1.

FIG. 5 shows a front elevation view of the lighting fixture of FIG. 1, where the rear elevation view is identical thereto.

FIG. 6 shows a right side elevation view of the lighting fixture of FIG. 1, where the left side elevation view is identical thereto.

FIG. 7 shows a top view of the lighting fixture of FIG. 1.

FIG. 8 shows a bottom perspective view of an alternative embodiment of the lighting fixture design.

FIG. 9 shows a cross section elevation view of the lighting fixture of FIG. 8, taken through line 9—9 of FIG. 8.

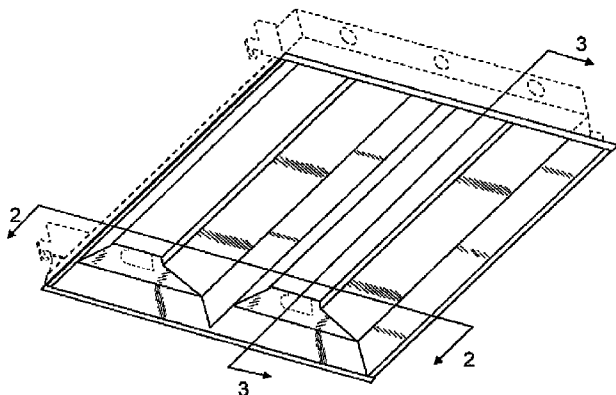
FIG. 10 shows a bottom perspective view of an alternative embodiment of the lighting fixture design.

FIG. 11 shows a cross section elevation view of the lighting fixture of FIG. 10, taken through line 11—11 of FIG. 10; and,

FIG. 12 shows a cross section elevation view of the lighting fixture of FIG. 10, taken through line 12—12 of FIG. 10.

The broken lines are for illustration purposes only and form no part of the claimed design.

1 Claim, 5 Drawing Sheets



US D632,832 S

Page 2

U.S. PATENT DOCUMENTS

D496,121	S *	9/2004	Santoro	D26/74	D553,781	S *	10/2007	Pickard et al.	D26/74
D541,468	S *	4/2007	Mayfield et al.	D26/120	7,296,910	B2 *	11/2007	Mayfield et al.	362/217.05
D545,483	S *	6/2007	Mayfield et al.	D26/118	2007/0211457	A1 *	9/2007	Mayfield et al.	362/223
D545,991	S *	7/2007	Mayfield et al.	D26/118	2007/0291481	A1 *	12/2007	Gould et al.	362/223
7,261,435	B2 *	8/2007	Gould et al.	362/223	2008/0019126	A1 *	1/2008	Straton et al.	362/218

* cited by examiner

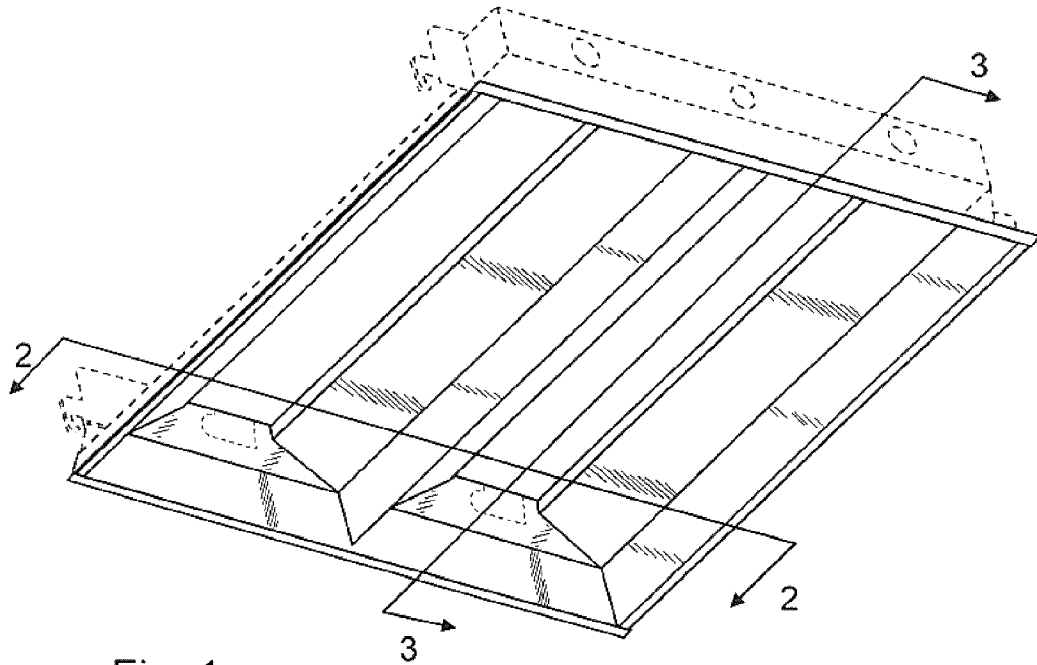


Fig. 1

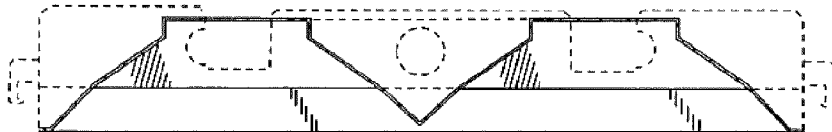


Fig. 2

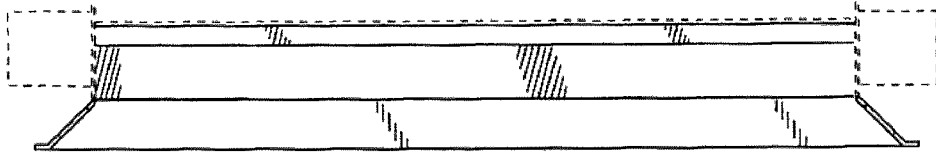


Fig. 3

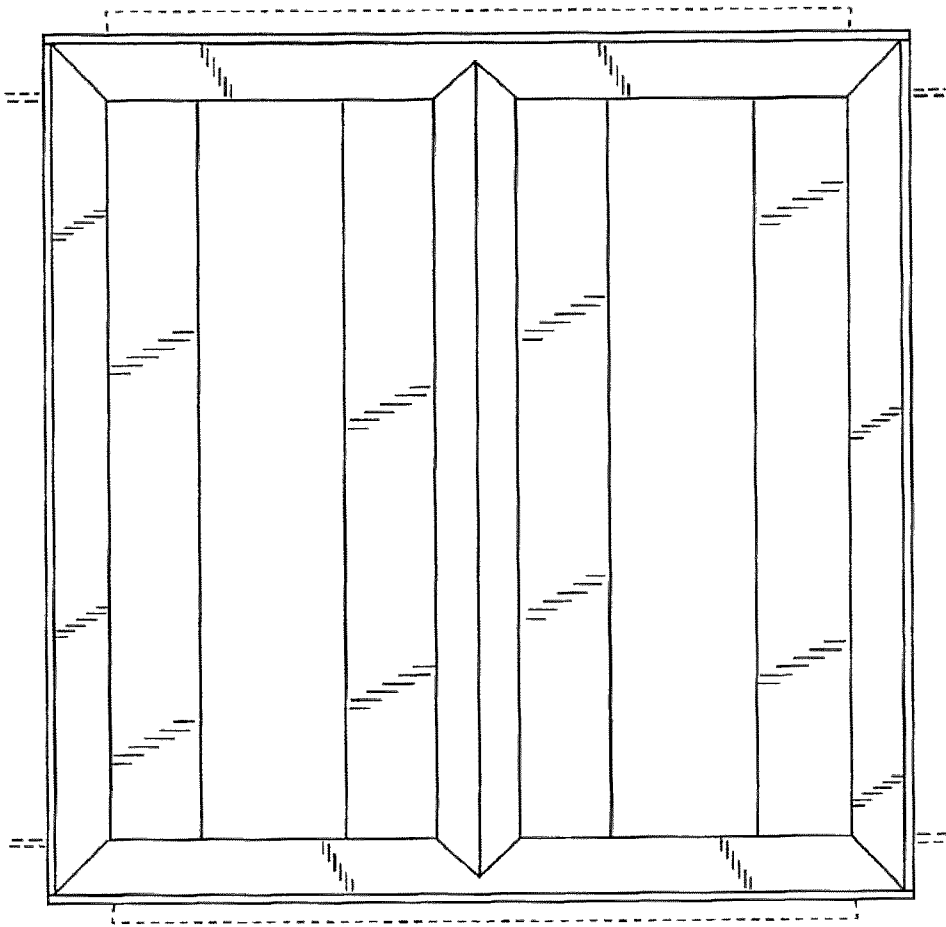


Fig. 4

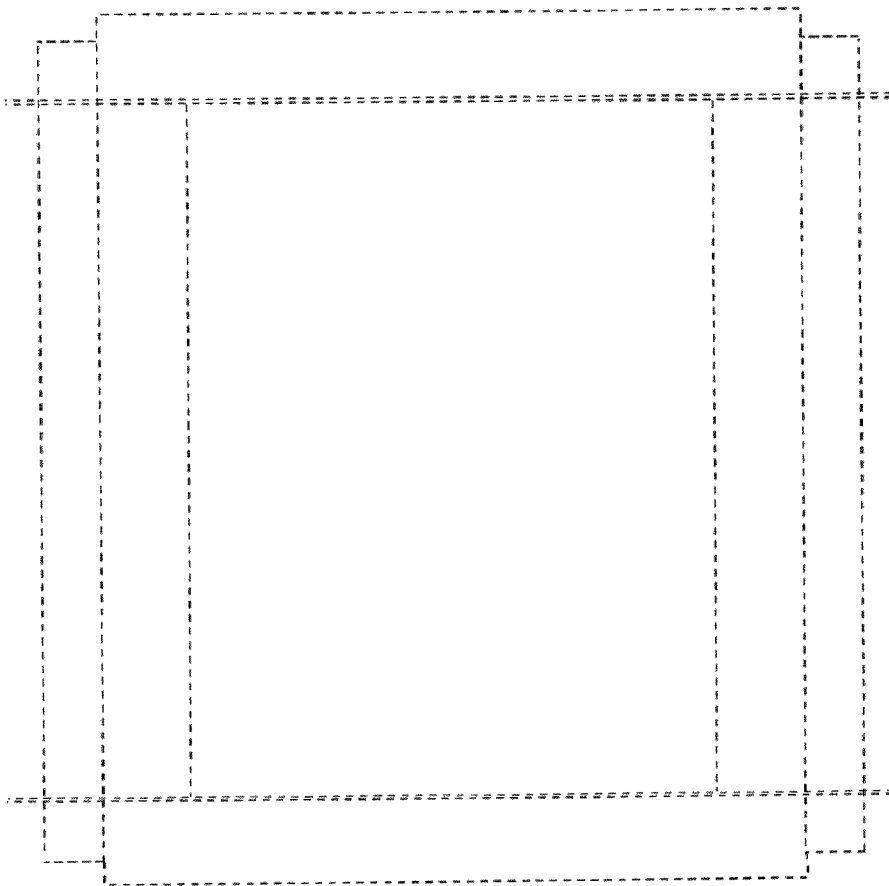
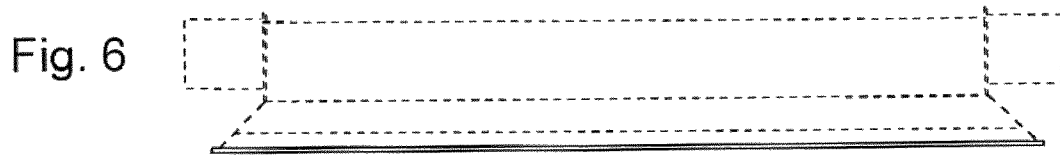
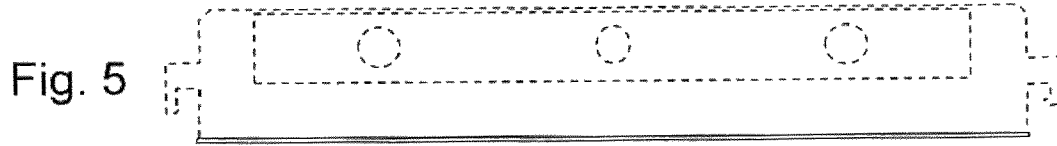


Fig. 7

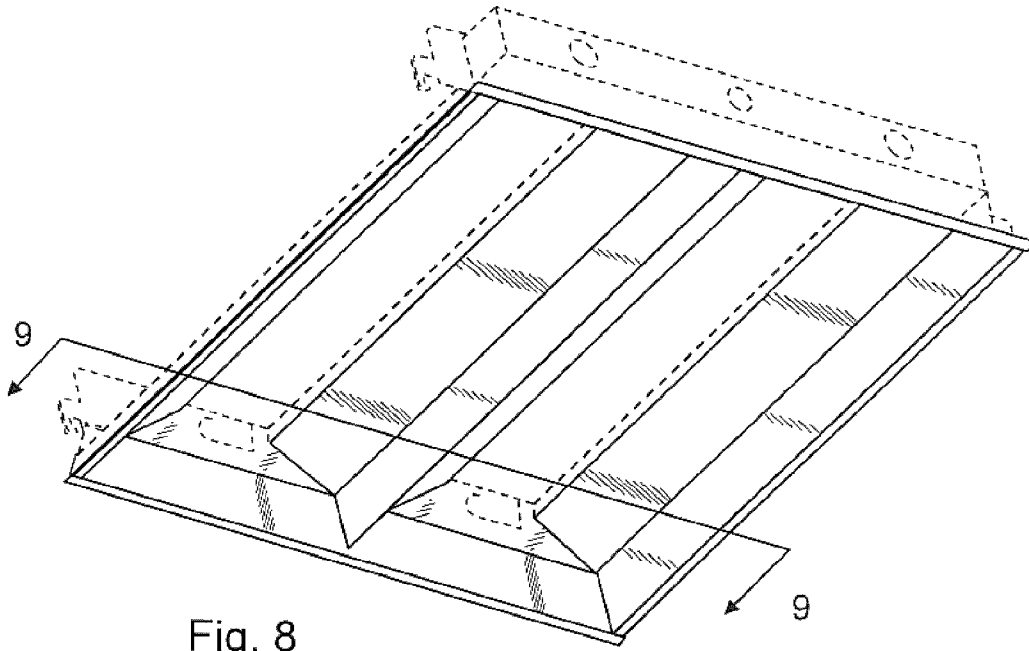


Fig. 8

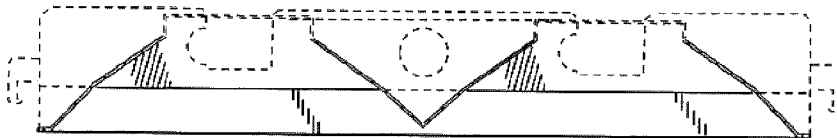


Fig. 9

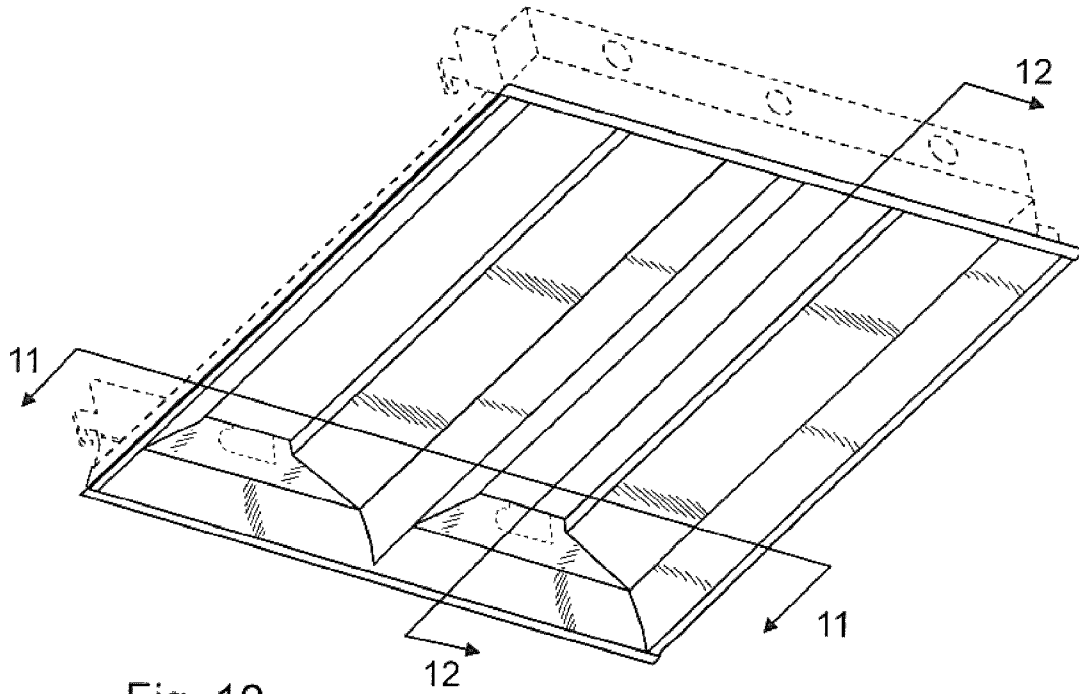


Fig. 10

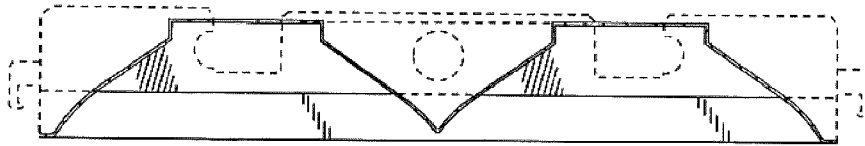


Fig. 11

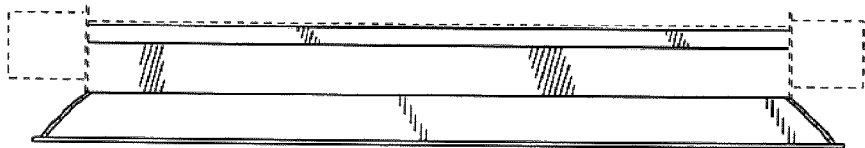


Fig. 12