



(43) International Publication Date
23 January 2014 (23.01.2014)

(51) International Patent Classification:
A63K 3/02 (2006.01)

(21) International Application Number:
PCT/HU/2013/000066

(22) International Filing Date:
10 July 2013 (10.07.2013)

(25) Filing Language: Hungarian

(26) Publication Language: English

(30) Priority Data:
U 12 00144 16 July 2012 (16.07.2012) HU
U 12 00145 16 July 2012 (16.07.2012) HU

(71) Applicant: POLARITÁS-GM KFT. [HU/HU]; Bartók Béla út 61, H-1114 Budapest (HU).

(72) Inventors: GRAND, József; Tóth Lőrinc u. 9/A, H-1122 Budapest (HU). GERBER, Balázs; Pörge u. 90, H-1158 Budapest (HU). NÉMETH, Balázs; Kis Rákos u. 46/B, H-1154 Budapest (HU). PONGRÁCZ, László; Paragvári út 62, H-9700 Szombathely (HU).

(74) Agents: GÖDÖLLE, KÉKES, MÉSZÁROS & SZABÓ et al.; Patent and Trademark Attorneys, Keleti Károly u. 13/b, H-1024 Budapest (HU).

(81) Designated States (unless otherwise indicated, for every kind of national protection available): AE, AG, AL, AM, AO, AT, AU, AZ, BA, BB, BG, BH, BN, BR, BW, BY, BZ, CA, CH, CL, CN, CO, CR, CU, CZ, DE, DK, DM,

DO, DZ, EC, EE, EG, ES, FI, GB, GD, GE, GH, GM, GT, HN, HR, HU, ID, IL, IN, IS, JP, KE, KG, KN, KP, KR, KZ, LA, LC, LK, LR, LS, LT, LU, LY, MA, MD, ME, MG, MK, MN, MW, MX, MY, MZ, NA, NG, NI, NO, NZ, OM, PA, PE, PG, PH, PL, PT, QA, RO, RS, RU, RW, SC, SD, SE, SG, SK, SL, SM, ST, SV, SY, TH, TJ, TM, TN, TR, TT, TZ, UA, UG, US, UZ, VC, VN, ZA, ZM, ZW.

(84) Designated States (unless otherwise indicated, for every kind of regional protection available): ARIPO (BW, GH, GM, KE, LR, LS, MW, MZ, NA, RW, SD, SL, SZ, TZ, UG, ZM, ZW), Eurasian (AM, AZ, BY, KG, KZ, RU, TJ, TM), European (AL, AT, BE, BG, CH, CY, CZ, DE, DK, EE, ES, FI, FR, GB, GR, HR, HU, IE, IS, IT, LT, LU, LV, MC, MK, MT, NL, NO, PL, PT, RO, RS, SE, SI, SK, SM, TR), OAPI (BF, BJ, CF, CG, CI, CM, GA, GN, GQ, GW, KM, ML, MR, NE, SN, TD, TG).

Declarations under Rule 4.17:

— of inventorship (Rule 4.17(iv))

Published:

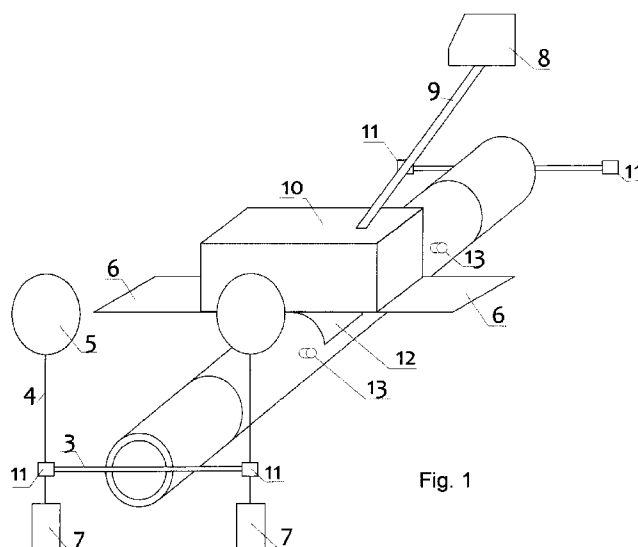
— with international search report (Art. 21(3))

— before the expiration of the time limit for amending the claims and to be republished in the event of receipt of amendments (Rule 48.2(h))

(88) Date of publication of the international search report:

27 March 2014

(54) Title: BASE MODULE FOR A STARTING APPARATUS OF BOAT COMPETITIONS



(57) Abstract: The invention is a base module for a starting apparatus of sport-purpose flatwater boat competitions, comprising a longitudinal holder arranged crosswise to the direction of motion of the boats, a level adjustment unit, a dynamic stabilizer, and a remote controlled start permitting unit having a mechanical drive unit. According to the invention, the longitudinal holder (2) is made of one or more rigid, hollow pipe or profiled bar.

INTERNATIONAL SEARCH REPORT

International application No PCT/HU2013/000066
--

A. CLASSIFICATION OF SUBJECT MATTER

INV. A63K3/02
ADD.

According to International Patent Classification (IPC) or to both national classification and IPC

B. FIELDS SEARCHED

Minimum documentation searched (classification system followed by classification symbols)

A63K A63B G04F B63B

Documentation searched other than minimum documentation to the extent that such documents are included in the fields searched

Electronic data base consulted during the international search (name of data base and, where practicable, search terms used)

EPO-Internal, WPI Data

C. DOCUMENTS CONSIDERED TO BE RELEVANT

Category*	Citation of document, with indication, where appropriate, of the relevant passages	Relevant to claim No.
X	DE 103 23 136 A1 (FRANZ VOLKMAR [DE]; FRANZ RAINER [DE]) 16 December 2004 (2004-12-16) cited in the application paragraphs [0017] - [0020]; claims 1-4; figures 1-4	1-15
A	----- JP H08 112460 A (SEIKO INSTR INC) 7 May 1996 (1996-05-07) cited in the application abstract; figures 1,2	1-15
A	----- SU 503 582 A2 (VALETDINOV R.K.) 25 February 1976 (1976-02-25) abstract; figures 1-3 -----	16-36
	----- -/--	

Further documents are listed in the continuation of Box C.

See patent family annex.

* Special categories of cited documents :

"A" document defining the general state of the art which is not considered to be of particular relevance

"E" earlier application or patent but published on or after the international filing date

"L" document which may throw doubts on priority claim(s) or which is cited to establish the publication date of another citation or other special reason (as specified)

"O" document referring to an oral disclosure, use, exhibition or other means

"P" document published prior to the international filing date but later than the priority date claimed

"T" later document published after the international filing date or priority date and not in conflict with the application but cited to understand the principle or theory underlying the invention

"X" document of particular relevance; the claimed invention cannot be considered novel or cannot be considered to involve an inventive step when the document is taken alone

"Y" document of particular relevance; the claimed invention cannot be considered to involve an inventive step when the document is combined with one or more other such documents, such combination being obvious to a person skilled in the art

"&" document member of the same patent family

Date of the actual completion of the international search

28 January 2014

Date of mailing of the international search report

10/02/2014

Name and mailing address of the ISA/

European Patent Office, P.B. 5818 Patentlaan 2
NL - 2280 HV Rijswijk
Tel. (+31-70) 340-2040,
Fax: (+31-70) 340-3016

Authorized officer

Shmonin, Vladimir

INTERNATIONAL SEARCH REPORT

International application No PCT/HU2013/000066

C(Continuation). DOCUMENTS CONSIDERED TO BE RELEVANT

Category*	Citation of document, with indication, where appropriate, of the relevant passages	Relevant to claim No.
A	US 5 588 889 A (EASTER SCOTT D [US]) 31 December 1996 (1996-12-31) claims 1-19; figures 1-9b -----	16-36
A	EP 2 105 174 A1 (J A C CO LTD [JP]) 30 September 2009 (2009-09-30) claims 1-7; figures 1-5 -----	16-36
A	EP 0 805 595 A2 (PLUSMIC CORP [JP]) 5 November 1997 (1997-11-05) claims 1-6; figures 1-22 -----	16-36
A	JP 2001 025584 A (MITSUBISHI ELECTRIC CORP) 30 January 2001 (2001-01-30) abstract; figures 1-19 -----	16-36
A	US 4 657 403 A (MORGAN JOHN A [US] ET AL) 14 April 1987 (1987-04-14) claims 1-12; figures 1-3 -----	16-36

INTERNATIONAL SEARCH REPORT

International application No.
PCT/HU2013/000066

Box No. II Observations where certain claims were found unsearchable (Continuation of item 2 of first sheet)

This international search report has not been established in respect of certain claims under Article 17(2)(a) for the following reasons:

1. Claims Nos.:
because they relate to subject matter not required to be searched by this Authority, namely:

2. Claims Nos.:
because they relate to parts of the international application that do not comply with the prescribed requirements to such an extent that no meaningful international search can be carried out, specifically:

3. Claims Nos.:
because they are dependent claims and are not drafted in accordance with the second and third sentences of Rule 6.4(a).

Box No. III Observations where unity of invention is lacking (Continuation of item 3 of first sheet)

This International Searching Authority found multiple inventions in this international application, as follows:

see additional sheet

1. As all required additional search fees were timely paid by the applicant, this international search report covers all searchable claims.
2. As all searchable claims could be searched without effort justifying an additional fees, this Authority did not invite payment of additional fees.
3. As only some of the required additional search fees were timely paid by the applicant, this international search report covers only those claims for which fees were paid, specifically claims Nos.:

4. No required additional search fees were timely paid by the applicant. Consequently, this international search report is restricted to the invention first mentioned in the claims; it is covered by claims Nos.:

Remark on Protest

- The additional search fees were accompanied by the applicant's protest and, where applicable, the payment of a protest fee.
- The additional search fees were accompanied by the applicant's protest but the applicable protest fee was not paid within the time limit specified in the invitation.
- No protest accompanied the payment of additional search fees.

FURTHER INFORMATION CONTINUED FROM PCT/ISA/ 210

This International Searching Authority found multiple (groups of) inventions in this international application, as follows:

1. claims: 1-15

A base module for a starting apparatus of sport-purpose flatwater boat competitions, comprising a longitudinal holder arranged crosswise to the direction of motion of the boats, a level adjustment unit, a dynamic stabilizer, and a remote controlled start permitting unit having a mechanical drive unit, whereby the longitudinal holder is made of one or more rigid, hollow pipe or profiled bar and additionally means for positioning the head unit and stabilizing a base module.

2. claims: 16-36

A base module for a starting apparatus of sport-purpose flatwater boat competitions, comprising a longitudinal holder arranged crosswise to the direction of motion of the boats, a level adjustment unit, a dynamic stabilizer, and a remote controlled start permitting unit having a mechanical drive unit, whereby the longitudinal holder is made of one or more rigid, hollow pipe or profiled bar and additionally communication and sensing means.

INTERNATIONAL SEARCH REPORT

Information on patent family members

International application No

PCT/HU2013/000066

Patent document cited in search report	Publication date	Patent family member(s)	Publication date
DE 10323136	A1	16-12-2004	NONE

JP H08112460	A	07-05-1996	NONE

SU 503582	A2	25-02-1976	NONE

US 5588889	A	31-12-1996	NONE

EP 2105174	A1	30-09-2009	EP 2105174 A1 30-09-2009
			JP 4177887 B1 05-11-2008
			WO 2009060551 A1 14-05-2009

EP 0805595	A2	05-11-1997	AU 722484 B2 03-08-2000
			AU 1014497 A 06-11-1997
			CA 2195158 A1 31-10-1997
			DE 69619965 D1 25-04-2002
			DE 69619965 T2 08-08-2002
			EP 0805595 A2 05-11-1997
			MY 119008 A 31-03-2005
			SG 66351 A1 20-07-1999
			US 6104864 A 15-08-2000

JP 2001025584	A	30-01-2001	NONE

US 4657403	A	14-04-1987	NONE
