



US00D450370B1

(12) **United States Design Patent** (10) **Patent No.:** **US D450,370 S**  
Wales et al. (45) **Date of Patent:** **\*\* Nov. 13, 2001**

(54) **ADJUSTABLE SHOWERHEAD**

(76) Inventors: **Michael Wales; Grace L. Wales**, both of 21 Knoll St., Riverside, CT (US) 06878

(\*\*) Term: **14 Years**

(21) Appl. No.: **29/110,986**

(22) Filed: **Sep. 17, 1999**

(51) **LOC (7) Cl.** ..... **23-01**

(52) **U.S. Cl.** ..... **D23/213**

(58) **Field of Search** ..... D23/213, 223, D23/229, 230, 228; 239/587.1, 587.4, 587.5

(56) **References Cited**

**U.S. PATENT DOCUMENTS**

- D. 215,288 \* 9/1969 Theblay ..... D23/230
- D. 259,054 \* 4/1981 Petersons ..... D23/213
- D. 347,262 \* 5/1994 Black et al. .... D23/230
- D. 398,370 \* 9/1998 Purdy ..... D23/213

**OTHER PUBLICATIONS**

Joan Cook Housewares; item D Shower Arm; p. 35; design digest, 1989.\*

Europa; Downpour Rain Shower Showerhead; design digest, Aug. 1995.\*

Craftech catalog; item #02-6002 showerhead; design digest, Aug. 1995.\*

\* cited by examiner

*Primary Examiner*—Robin V. Taylor

(74) *Attorney, Agent, or Firm*—St. Onge Steward Johnston & Reens LLC

(57) **CLAIM**

The ornamental design for an adjustable showerhead, as shown and described.

**DESCRIPTION**

FIG. 1 is a perspective view of an adjustable showerhead in accordance with the design.

FIG. 2 is a top plan view of an adjustable showerhead in accordance with the design.

FIG. 3 is a bottom plan view of an adjustable showerhead in accordance with the design.

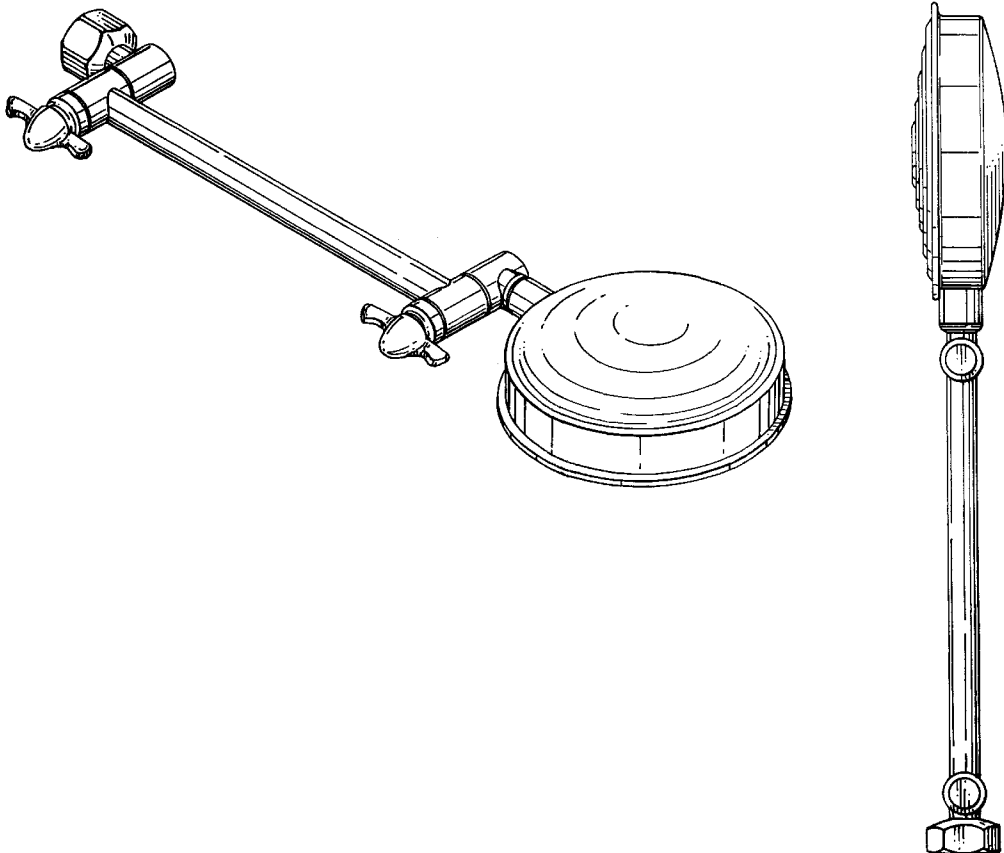
FIG. 4 is a left side view of an adjustable showerhead in accordance with the design.

FIG. 5 is a right side view of an adjustable showerhead in accordance with the design.

FIG. 6 is an end view of an adjustable showerhead in accordance with the design; and,

FIG. 7 is another end view of an adjustable showerhead in accordance with the design.

**1 Claim, 3 Drawing Sheets**



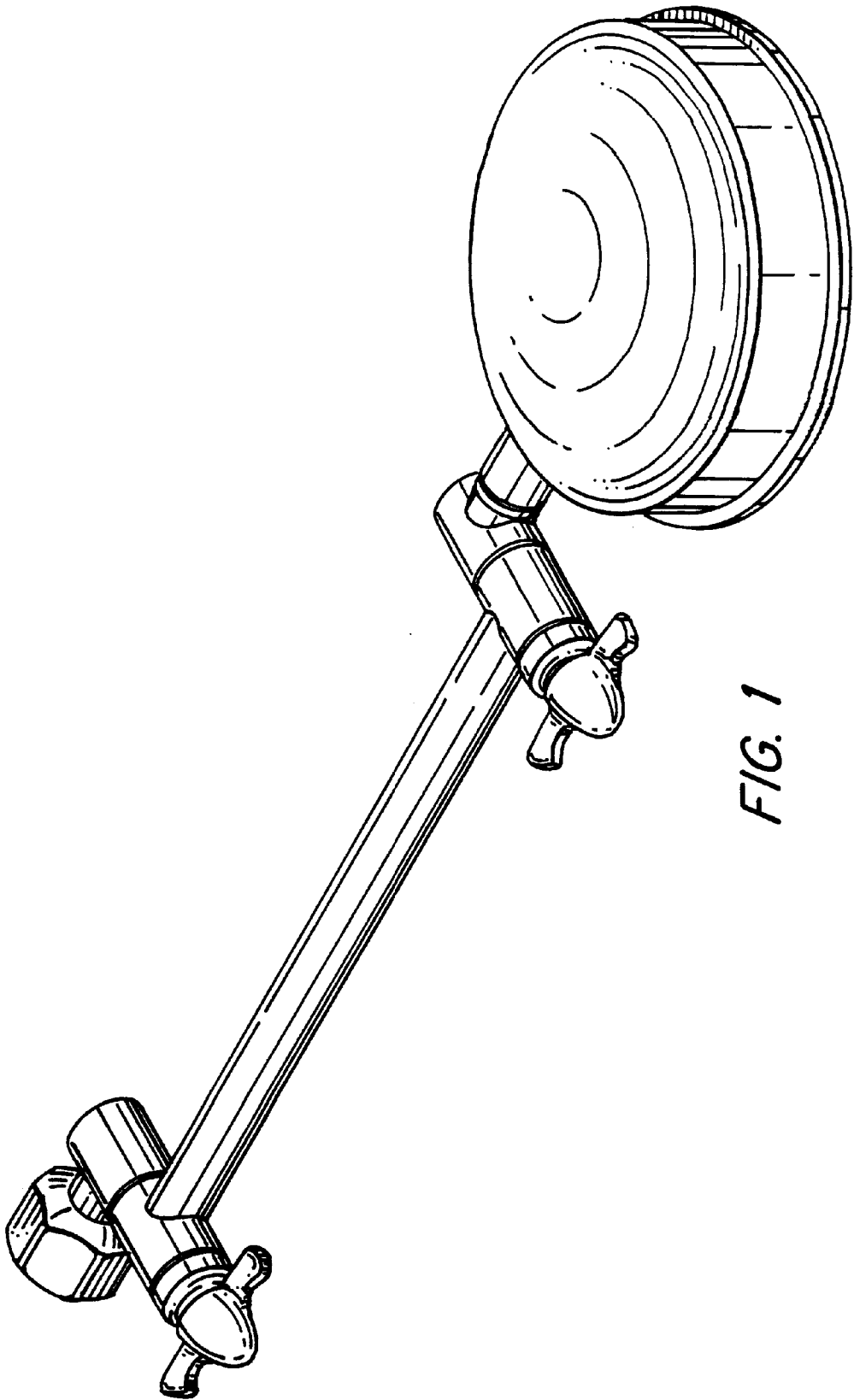


FIG. 1

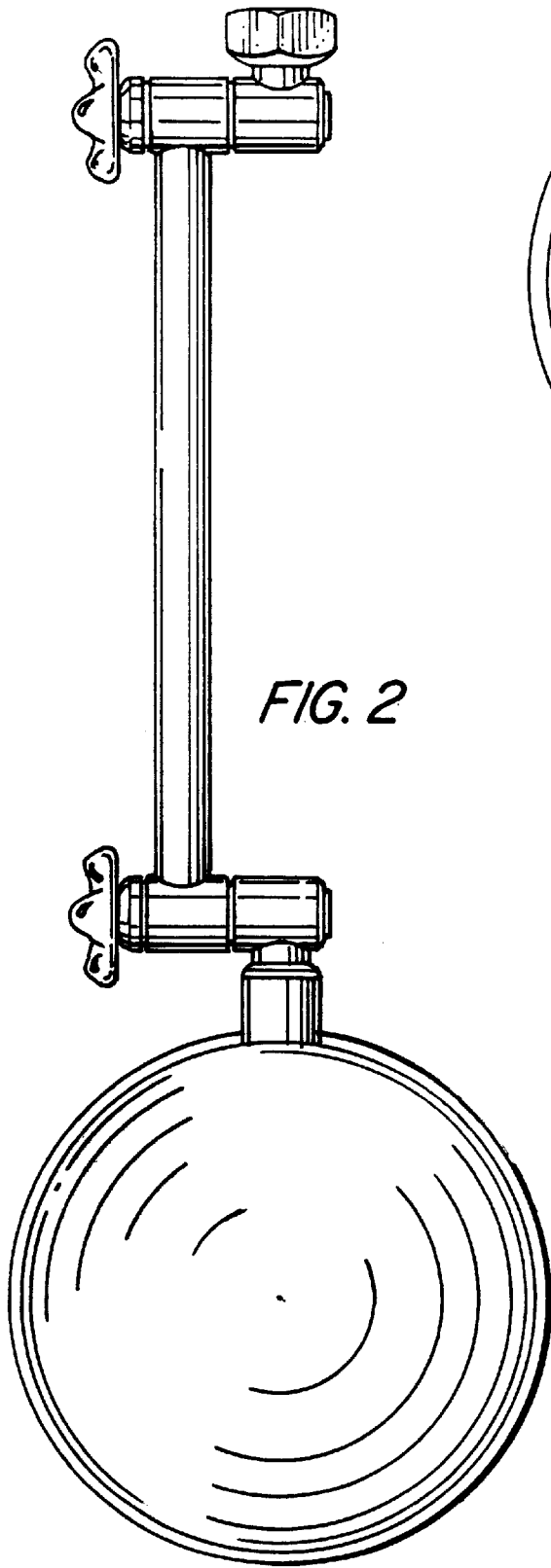


FIG. 2

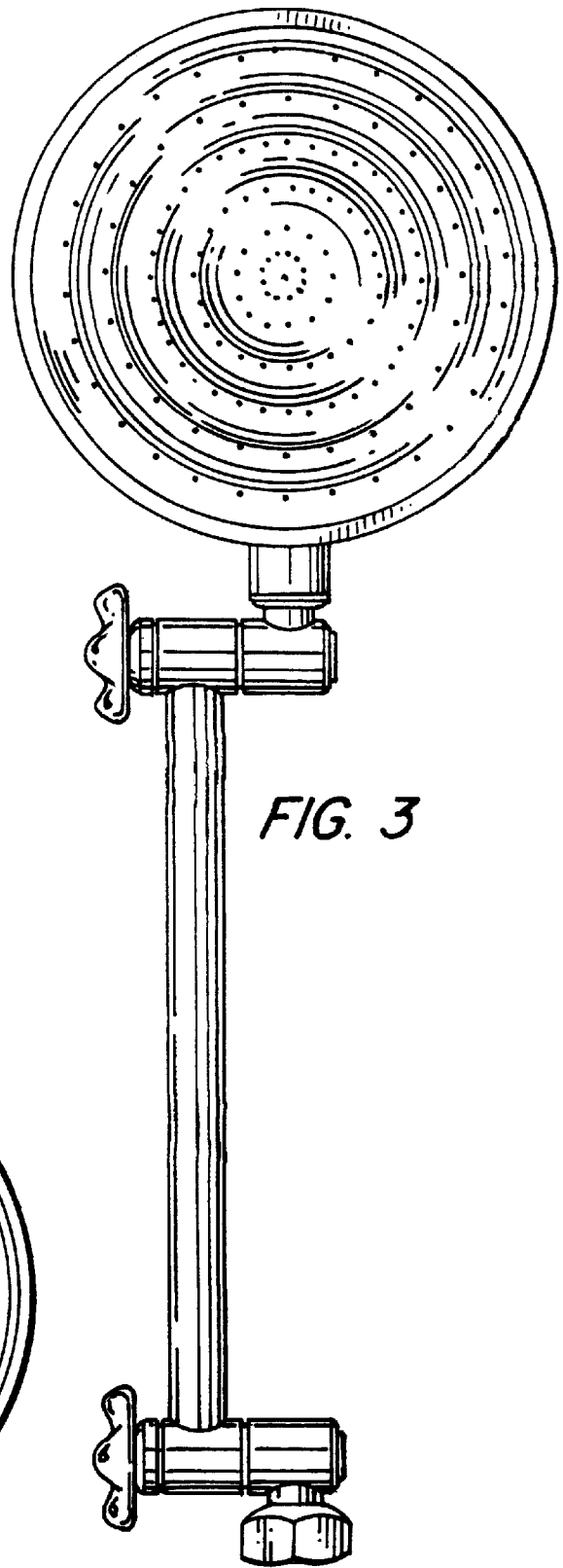


FIG. 3

FIG. 4

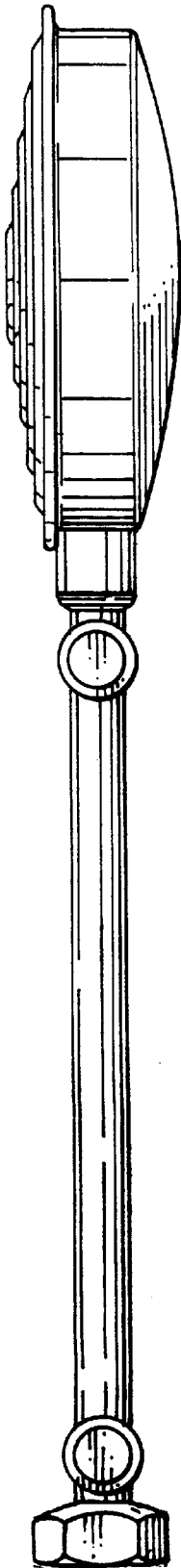


FIG. 5

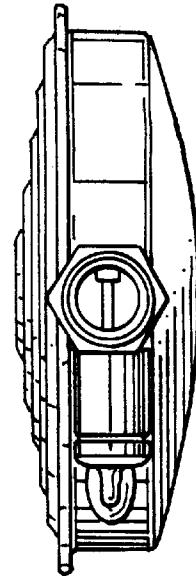
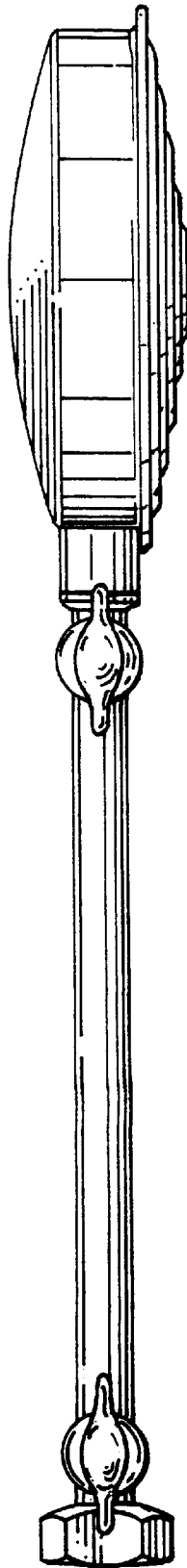


FIG. 6

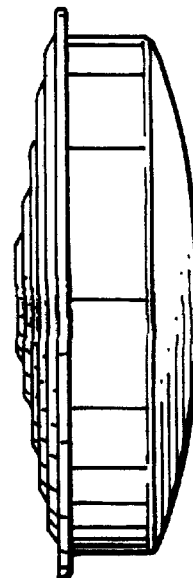


FIG. 7