



- (51) **International Patent Classification:**  
*H05K 9/00* (2006.01)
- (21) **International Application Number:**  
PCT/IB2013/056014
- (22) **International Filing Date:**  
22 July 2013 (22.07.2013)
- (25) **Filing Language:** Italian
- (26) **Publication Language:** English
- (30) **Priority Data:**  
PI2012A000081 20 July 2012 (20.07.2012) IT
- (71) **Applicant:** NUOVA CONNAVI S.R.L. [IT/IT]; Via Lagoscuro, 107/109, Località Ceparana, I-19020 Vezzano Ligure (IT).
- (72) **Inventor:** PAGLIARI, Renzo; Via Antoniana, 46, I-19125 La Spezia (IT).
- (74) **Agent:** CELESTINO, Marco; Viale Giovanni Pisano, 31, I-56123 Pisa (IT).
- (81) **Designated States** (unless otherwise indicated, for every kind of national protection available): AE, AG, AL, AM, AO, AT, AU, AZ, BA, BB, BG, BH, BN, BR, BW, BY, BZ, CA, CH, CL, CN, CO, CR, CU, CZ, DE, DK, DM,

DO, DZ, EC, EE, EG, ES, FI, GB, GD, GE, GH, GM, GT, HN, HR, HU, ID, IL, IN, IS, JP, KE, KG, KN, KP, KR, KZ, LA, LC, LK, LR, LS, LT, LU, LY, MA, MD, ME, MG, MK, MN, MW, MX, MY, MZ, NA, NG, NI, NO, NZ, OM, PA, PE, PG, PH, PL, PT, QA, RO, RS, RU, RW, SC, SD, SE, SG, SK, SL, SM, ST, SV, SY, TH, TJ, TM, TN, TR, TT, TZ, UA, UG, US, UZ, VC, VN, ZA, ZM, ZW.

(84) **Designated States** (unless otherwise indicated, for every kind of regional protection available): ARIPO (BW, GH, GM, KE, LR, LS, MW, MZ, NA, RW, SD, SL, SZ, TZ, UG, ZM, ZW), Eurasian (AM, AZ, BY, KG, KZ, RU, TJ, TM), European (AL, AT, BE, BG, CH, CY, CZ, DE, DK, EE, ES, FI, FR, GB, GR, HR, HU, IE, IS, IT, LT, LU, LV, MC, MK, MT, NL, NO, PL, PT, RO, RS, SE, SI, SK, SM, TR), OAPI (BF, BJ, CF, CG, CI, CM, GA, GN, GQ, GW, KM, ML, MR, NE, SN, TD, TG).

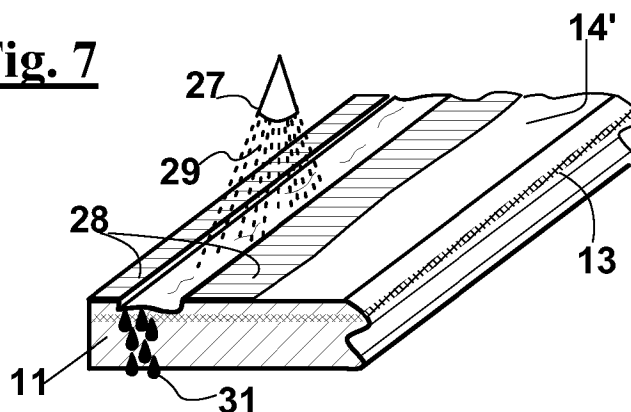
**Published:**

- with international search report (Art. 21(3))
- before the expiration of the time limit for amending the claims and to be republished in the event of receipt of amendments (Rule 48.2(h))

(88) **Date of publication of the international search report:**  
13 March 2014

(54) **Title:** A METHOD FOR MAKING ELECTRICALLY CONDUCTIVE STIFF COMPOSITE ARTICLES AND FOR CREATING A CONNECTION BETWEEN SAID ARTICLES

**Fig. 7**



(57) **Abstract:** A method for manufacturing an electrically conductive stiff composite layer article (10) that has an outer surface layer made of an insulating polymeric material, comprising the steps of prearranging an electrically conductive layer (13) incorporated within an electrically insulating matrix (11) made of the polymeric material; prearranging an amount of a metal connection material (29) in a loose form; choice of an electric connection zone (21) on a surface (14') of the stiff composite layer article (10); removal of a surface portion of the polymeric material of the electrically insulating matrix (11), deposit of said loose metal connection material (29) at said connection zone (21) and union of said loose metal connection material (29) with said electrically conductive layer (13), forming an uncovered electric terminal layer (25). In an advantageous exemplary embodiment, the metal connection material in loose form (29) is deposited at a temperature higher than a transition temperature of the polymeric material, in such a way that the polymeric material turns from a coherent solid state into a molten state, in order to cause the removal of the polymeric material at the connection zone (21), and so that the metal connection material is connected at least in part to the electrically conductive layer (13), by forming an uncovered electric terminal layer (25) at the connection zone (21).



**INTERNATIONAL SEARCH REPORT**

International application No  
PCT/IB2013/056014

A. CLASSIFICATION OF SUBJECT MATTER  
INV. H05K9/00  
ADD.  
  
According to International Patent Classification (IPC) or to both national classification and IPC

B. FIELDS SEARCHED  
Minimum documentation searched (classification system followed by classification symbols)  
H05K

Documentation searched other than minimum documentation to the extent that such documents are included in the fields searched

Electronic data base consulted during the international search (name of data base and, where practicable, search terms used)  
EPO-Internal, WPI Data

C. DOCUMENTS CONSIDERED TO BE RELEVANT

Category*	Citation of document, with indication, where appropriate, of the relevant passages	Relevant to claim No.
X	US 4 880 679 A (BONAZZA BENEDICT R [US]) 14 November 1989 (1989-11-14)	1-9,12, 13
Y	the whole document	10,11
Y	----- US 5 578 790 A (PEREGRIM WALTER A [US]) 26 November 1996 (1996-11-26)	10,11
A	the whole document	
A	----- US 4 656 312 A (MALLOTT ORVILLE B [US]) 7 April 1987 (1987-04-07)	4,5
A	the whole document	
A	----- DE 20 2009 012720 U1 (GOECKE LUDWIG [DE]) 14 January 2010 (2010-01-14)	6
	the whole document	
	----- -/--	

Further documents are listed in the continuation of Box C.

See patent family annex.

\* Special categories of cited documents :

- "A" document defining the general state of the art which is not considered to be of particular relevance
- "E" earlier application or patent but published on or after the international filing date
- "L" document which may throw doubts on priority claim(s) or which is cited to establish the publication date of another citation or other special reason (as specified)
- "O" document referring to an oral disclosure, use, exhibition or other means
- "P" document published prior to the international filing date but later than the priority date claimed

"T" later document published after the international filing date or priority date and not in conflict with the application but cited to understand the principle or theory underlying the invention

"X" document of particular relevance; the claimed invention cannot be considered novel or cannot be considered to involve an inventive step when the document is taken alone

"Y" document of particular relevance; the claimed invention cannot be considered to involve an inventive step when the document is combined with one or more other such documents, such combination being obvious to a person skilled in the art

"&" document member of the same patent family

Date of the actual completion of the international search  23 January 2014	Date of mailing of the international search report  30/01/2014
----------------------------------------------------------------------------------	----------------------------------------------------------------------

Name and mailing address of the ISA/ European Patent Office, P.B. 5818 Patentlaan 2 NL - 2280 HV Rijswijk Tel. (+31-70) 340-2040, Fax: (+31-70) 340-3016	Authorized officer  Benfield, Alan
----------------------------------------------------------------------------------------------------------------------------------------------------------------------	------------------------------------------

## INTERNATIONAL SEARCH REPORT

International application No  
PCT/IB2013/056014

C(Continuation). DOCUMENTS CONSIDERED TO BE RELEVANT		
Category*	Citation of document, with indication, where appropriate, of the relevant passages	Relevant to claim No.
A	EP 0 580 097 A1 (HUGHES MISSILE SYSTEMS [US]) 26 January 1994 (1994-01-26) the whole document -----	6,7
A	EP 0 617 467 A2 (NEC CORP [JP] NIPPON ELECTRIC CO [JP]) 28 September 1994 (1994-09-28) the whole document -----	6

# INTERNATIONAL SEARCH REPORT

Information on patent family members

International application No PCT/IB2013/056014
---------------------------------------------------

Patent document cited in search report	Publication date	Patent family member(s)	Publication date
US 4880679	A	14-11-1989	NONE
-----			
US 5578790	A	26-11-1996	NONE
-----			
US 4656312	A	07-04-1987	NONE
-----			
DE 202009012720	U1	14-01-2010	CA 2770739 A1 17-02-2011
			CN 102498495 A 13-06-2012
			DE 112010003280 A5 20-12-2012
			DE 202009012720 U1 14-01-2010
			EP 2465077 A2 20-06-2012
			JP 2013502057 A 17-01-2013
			RU 2012108827 A 20-09-2013
			US 2012189834 A1 26-07-2012
			WO 2011018084 A2 17-02-2011
-----			
EP 0580097	A1	26-01-1994	AU 4209193 A 27-01-1994
			CA 2100724 A1 21-01-1994
			DE 69307796 D1 13-03-1997
			DE 69307796 T2 14-08-1997
			EP 0580097 A1 26-01-1994
			ES 2099325 T3 16-05-1997
			IL 106370 A 08-02-1998
			JP 2690260 B2 10-12-1997
			JP H06220601 A 09-08-1994
			US 5320879 A 14-06-1994
-----			
EP 0617467	A2	28-09-1994	DE 69419057 D1 22-07-1999
			DE 69419057 T2 05-01-2000
			EP 0617467 A2 28-09-1994
			JP H0763115 B2 05-07-1995
			JP H06283881 A 07-10-1994
			US 5455384 A 03-10-1995
-----			