



(12) **United States Design Patent**
Bolduc

(10) **Patent No.:** **US D807,581 S**
(45) **Date of Patent:** **** Jan. 9, 2018**

(54) **PERSONAL SHAVER**
(71) Applicant: **Jami Bolduc**, Baxter, MN (US)
(72) Inventor: **Jami Bolduc**, Baxter, MN (US)
(**) Term: **15 Years**
(21) Appl. No.: **29/556,670**
(22) Filed: **Mar. 2, 2016**
(51) **LOC (11) Cl.** **28-03**
(52) **U.S. Cl.**
USPC **D28/47**
(58) **Field of Classification Search**
USPC D28/44, 45-48
CPC B26B 21/54-21/60; B26B 21/00-21/06;
B26B 21/08-21/4031; B26B 21/4043;
B26B 21/4062; B26B 21/4068-21/4075;
B26B 21/44-21/443; B26B 21/52-21/528
See application file for complete search history.

4,791,724 A * 12/1988 Dumas B26B 21/18
30/48
5,778,535 A * 7/1998 Ledesma B26B 21/22
30/346.57
8,726,520 B1 * 5/2014 Abraham B26B 21/22
30/32
8,914,980 B2 * 12/2014 Solomennikov B26B 21/28
30/48
2003/0084573 A1 * 5/2003 Kludjian B26B 21/22
30/50
2003/0182802 A1 10/2003 Vega et al.
2004/0055159 A1 3/2004 Khomari
2009/0013534 A1 * 1/2009 Mallaridas B26B 21/22
30/41

* cited by examiner

Primary Examiner — Jennifer Rivard
(74) *Attorney, Agent, or Firm* — Westman, Champlin & Koehler, P.A.; Amanda M. Prose

(57) **CLAIM**

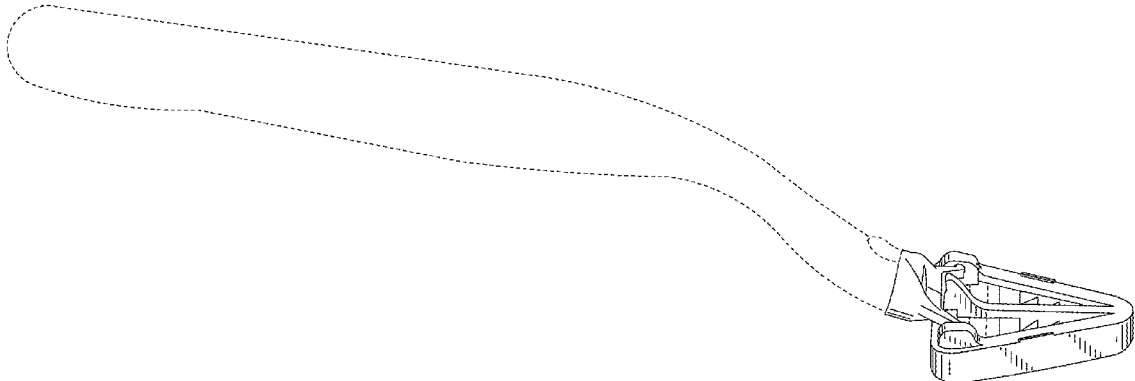
The ornamental design for a personal shaver, as shown and described.

DESCRIPTION

FIG. 1 is a top perspective view of a personal shaver; FIG. 2 is a bottom perspective view of the personal shaver; FIG. 3 is a top plan view of the personal shaver; FIG. 4 is a bottom plan view of the personal shaver; FIG. 5 is a front elevation view of the personal shaver; FIG. 6 is a rear elevation view of the personal shaver; FIG. 7 is a right side elevation view of the personal shaver; and, FIG. 8 is a left side elevation view of the personal shaver. The evenly spaced broken lines illustrate portions of the personal shaver and form no part of the claimed design. The dash-dot-dash broken line illustrates the bounds of the claim and forms no part of the claimed design.

1 Claim, 4 Drawing Sheets

(56) **References Cited**
U.S. PATENT DOCUMENTS
1,030,023 A * 6/1912 Shannon B26B 21/28
30/346.51
1,506,533 A * 8/1924 Klecka B26B 21/18
30/346.57
2,086,426 A * 7/1937 MacKenzie B26B 21/20
30/346.52
2,863,213 A * 12/1958 Rypysc B26B 21/20
30/346.52
3,409,982 A 11/1968 Baker et al.
4,128,937 A * 12/1978 Adorney B26B 21/22
30/47
4,534,110 A * 8/1985 Glass B26B 21/20
30/346.57
4,663,843 A * 5/1987 Savage B26B 21/22
30/48



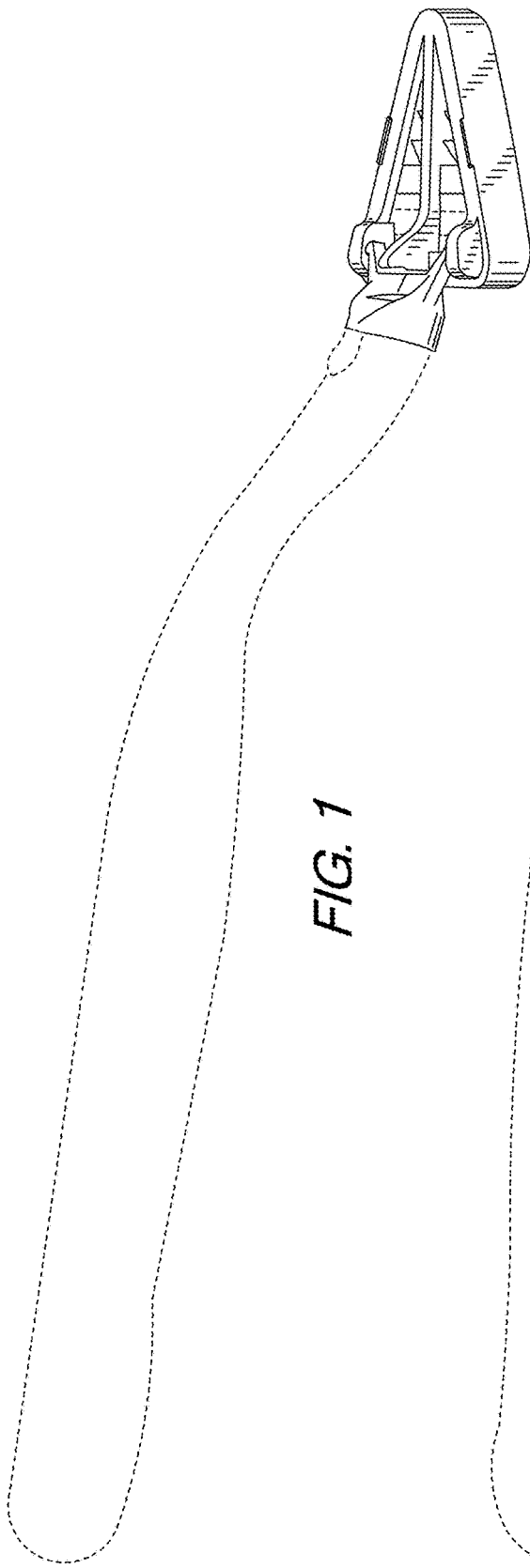


FIG. 1

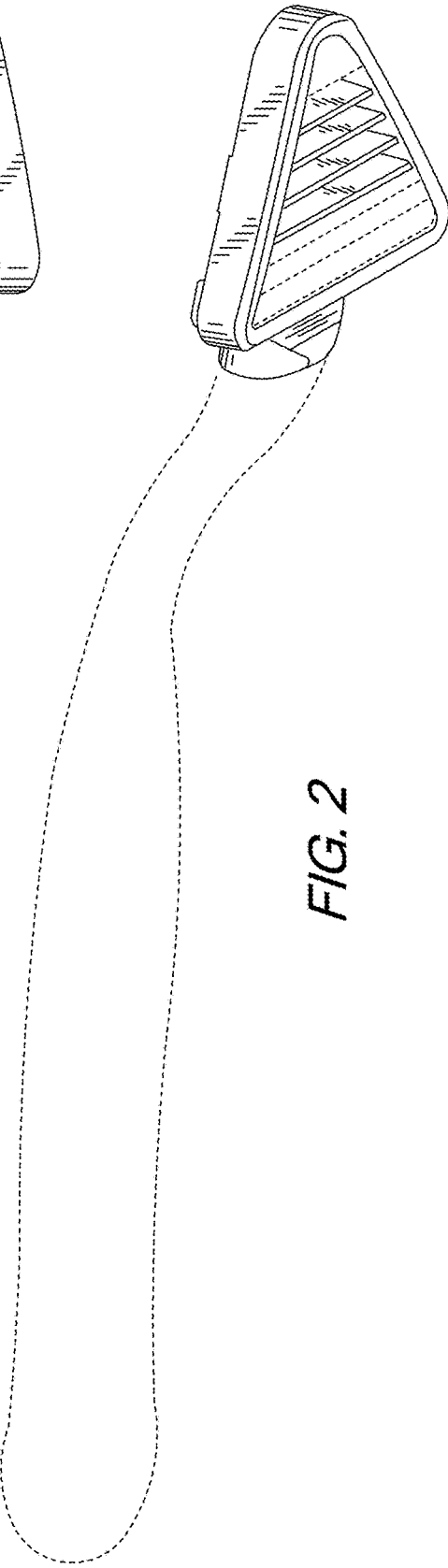


FIG. 2

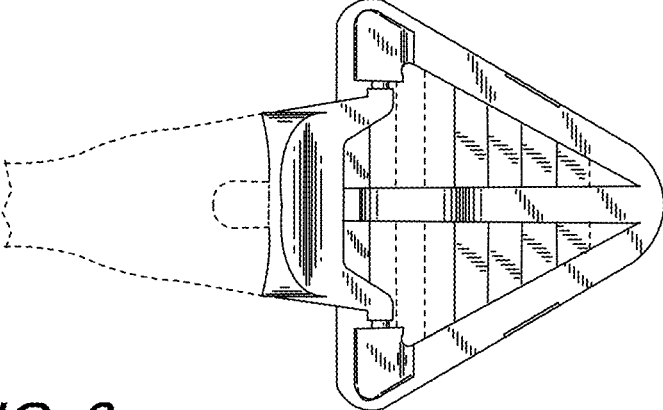


FIG. 3

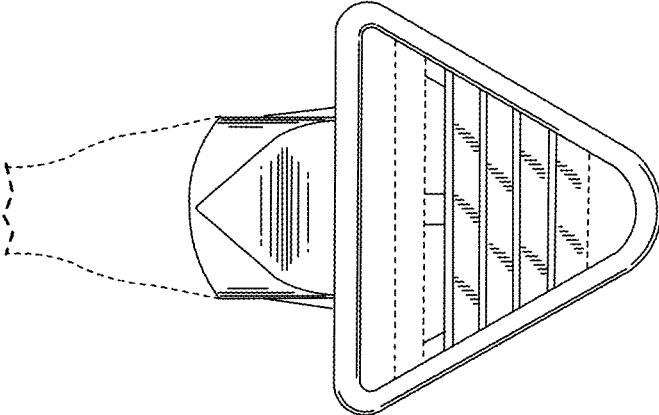


FIG. 4

FIG. 5

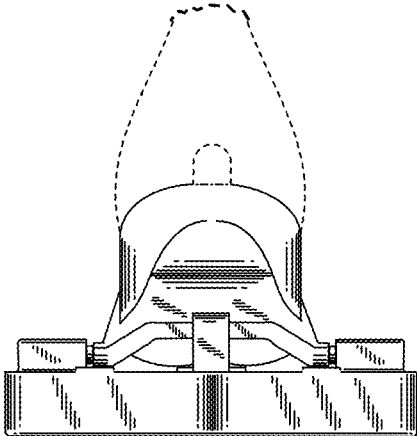


FIG. 6

