

(19) World Intellectual Property Organization
International Bureau



(43) International Publication Date
9 November 2006 (09.11.2006)

PCT

(10) International Publication Number
WO 2006/118884 A3

(51) International Patent Classification:

A61F 2/46 (2006.01) A61M 5/315 (2006.01)
B01F 11/00 (2006.01)

(21) International Application Number:

PCT/US2006/015709

(22) International Filing Date: 26 April 2006 (26.04.2006)

(25) Filing Language: English

(26) Publication Language: English

(30) Priority Data:

60/675,995 29 April 2005 (29.04.2005) US

(71) Applicant (for all designated States except US): WYETH [US/US]; 5 Giralda Farms, Madison, New Jersey 07940 (US).

(72) Inventors; and

(75) Inventors/Applicants (for US only): HUGHES, Martin [GB/GB]; 9 Crow Lane, Lower End, Wavendon MK17 8AR (GB). SEYMOUR, Darren [GB/GB]; 29 Owl Way, Hartford, Huntingdon Cambridgeshire PE29 1YZ (GB). TURNER, Colin [GB/GB]; 6 Duck End, Girtton Cambridgeshire CB3 0PZ (GB). HARMER, Paul [GB/GB]; 4 College Houses, West Street, Comberton Cambridgeshire CB3 7DX (GB). HOURMAND, Yannick [FR/GB]; 14 The Elms, Haslingfield Cambridgeshire CB3 7ND (GB).

(74) Agents: NABINGER, Robert C. et al.; Fish & Richardson P.C., P.o. Box 1022, Minneapolis, Minnesota 55440-1022 (US).

(81) Designated States (unless otherwise indicated, for every kind of national protection available): AE, AG, AL, AM, AT, AU, AZ, BA, BB, BG, BR, BW, BY, BZ, CA, CH, CN, CO, CR, CU, CZ, DE, DK, DM, DZ, EC, EE, EG, ES, FI, GB, GD, GE, GH, GM, HR, HU, ID, IL, IN, IS, JP, KE, KG, KM, KN, KP, KR, KZ, LC, LK, LR, LS, LT, LU, LV, LY, MA, MD, MG, MK, MN, MW, MX, MZ, NA, NG, NI, NO, NZ, OM, PG, PH, PL, PT, RO, RU, SC, SD, SE, SG, SK, SL, SM, SY, TJ, TM, TN, TR, TT, TZ, UA, UG, US, UZ, VC, VN, YU, ZA, ZM, ZW.

(84) Designated States (unless otherwise indicated, for every kind of regional protection available): ARIPO (BW, GH, GM, KE, LS, MW, MZ, NA, SD, SL, SZ, TZ, UG, ZM, ZW), Eurasian (AM, AZ, BY, KG, KZ, MD, RU, TJ, TM), European (AT, BE, BG, CH, CY, CZ, DE, DK, EE, ES, FI, FR, GB, GR, HU, IE, IS, IT, LT, LU, LV, MC, NL, PL, PT, RO, SE, SI, SK, TR), OAPI (BF, BJ, CF, CG, CI, CM, GA, GN, GQ, GW, ML, MR, NE, SN, TD, TG).

Declaration under Rule 4.17:

— of inventorship (Rule 4.17(iv))

Published:

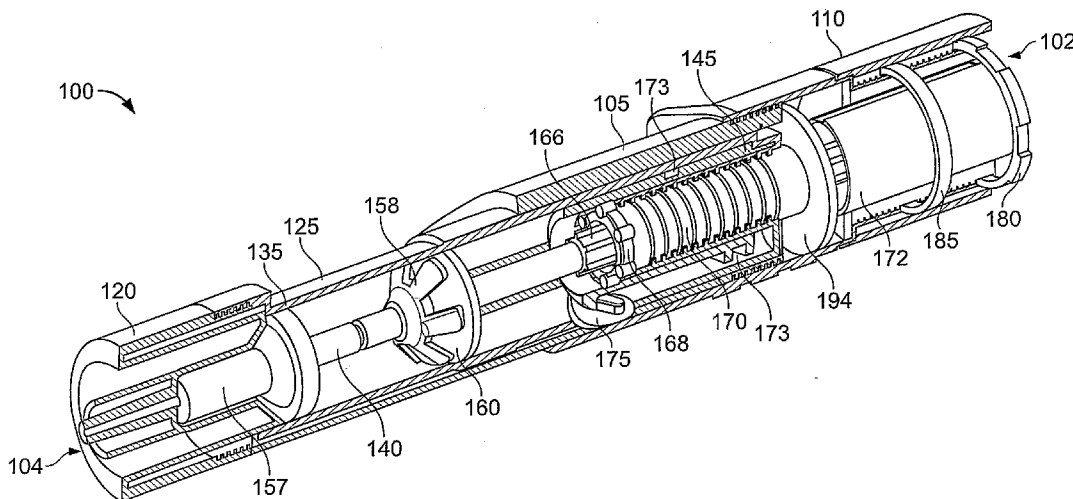
— with international search report
— before the expiration of the time limit for amending the claims and to be republished in the event of receipt of amendments

(88) Date of publication of the international search report:

1 March 2007

For two-letter codes and other abbreviations, refer to the "Guidance Notes on Codes and Abbreviations" appearing at the beginning of each regular issue of the PCT Gazette.

(54) Title: DRUG DELIVERY DEVICES AND RELATED COMPONENTS, SYSTEMS AND METHODS



(57) Abstract: This description relates to drug delivery devices (100), as well as related components, systems and methods.



WO 2006/118884 A3

INTERNATIONAL SEARCH REPORT

International application No
PCT/US2006/015709

A. CLASSIFICATION OF SUBJECT MATTER
INV. A61F2/46 B01F11/00 A61M5/315

According to International Patent Classification (IPC) or to both national classification and IPC

B. FIELDS SEARCHED

Minimum documentation searched (classification system followed by classification symbols)
A61F B01F A61M

Documentation searched other than minimum documentation to the extent that such documents are included in the fields searched

Electronic data base consulted during the international search (name of data base and, where practical, search terms used)

EPO-Internal, WPI Data, PAJ

C. DOCUMENTS CONSIDERED TO BE RELEVANT

Category*	Citation of document, with indication, where appropriate, of the relevant passages	Relevant to claim No.
X	EP 1 090 609 A (NGK SPARK PLUG CO) 11 April 2001 (2001-04-11) paragraphs [0017] - [0043] claims; figures 1-6	1-26, 39-48, 50
X	US 2004/101960 A1 (SCHAEFER DIRK J ET AL) 27 May 2004 (2004-05-27) paragraphs [0001], [0008], [0012], [0013], [0029] - [0052] claims; figures	27-38, 50
A	US 2004/174768 A1 (COFFEEN JARED P ET AL) 9 September 2004 (2004-09-09) claims; figures	1-48, 50
	----- -/-- -----	

Further documents are listed in the continuation of Box C.

See patent family annex.

* Special categories of cited documents :

- "A" document defining the general state of the art which is not considered to be of particular relevance
- "E" earlier document but published on or after the international filing date
- "L" document which may throw doubts on priority claim(s) or which is cited to establish the publication date of another citation or other special reason (as specified)
- "O" document referring to an oral disclosure, use, exhibition or other means
- "P" document published prior to the international filing date but later than the priority date claimed

- "T" later document published after the international filing date or priority date and not in conflict with the application but cited to understand the principle or theory underlying the invention
- "X" document of particular relevance; the claimed invention cannot be considered novel or cannot be considered to involve an inventive step when the document is taken alone
- "Y" document of particular relevance; the claimed invention cannot be considered to involve an inventive step when the document is combined with one or more other such documents, such combination being obvious to a person skilled in the art.
- "&" document member of the same patent family

Date of the actual completion of the international search

22 December 2006

Date of mailing of the international search report

11/01/2007

Name and mailing address of the ISA/
European Patent Office, P.B. 5818 Patentlaan 2
NL - 2280 HV Rijswijk
Tel. (+31-70) 340-2040, Tx. 31 651 epo nl,
Fax: (+31-70) 340-3016

Authorized officer

KUEHNE, H

INTERNATIONAL SEARCH REPORT

International application No
PCT/US2006/015709

C(Continuation). DOCUMENTS CONSIDERED TO BE RELEVANT

Category*	Citation of document, with indication, where appropriate, of the relevant passages	Relevant to claim No.
A	EP 1 090 610 A2 (NGK SPARK PLUG CO) 11 April 2001 (2001-04-11) claims; figures -----	1-3, 8-26, 39-48, 50
A	DE 195 32 015 A1 (SCHUCKMANN ALFRED VON) 6 March 1997 (1997-03-06) claims; figures -----	1-3, 8-26, 39-48, 50
A	WO 02/067814 A2 (REGENERATION TECH INC) 6 September 2002 (2002-09-06) claims; figures -----	1-48
A	WO 97/18031 A (CEMVAC SYSTEM AB) 22 May 1997 (1997-05-22) claims; figures -----	1-3
A	WO 00/29049 A1 (ELAN PHARMA INT LTD) 25 May 2000 (2000-05-25) claims; figures -----	50

INTERNATIONAL SEARCH REPORT

International application No.
PCT/US2006/015709

Box II Observations where certain claims were found unsearchable (Continuation of item 2 of first sheet)

This International Search Report has not been established in respect of certain claims under Article 17(2)(a) for the following reasons:

1. Claims Nos.: **49**
because they relate to subject matter not required to be searched by this Authority, namely:
Rule 39.1(iv) PCT - Method for treatment of the human or animal body by surgery

2. Claims Nos.:
because they relate to parts of the International Application that do not comply with the prescribed requirements to such an extent that no meaningful International Search can be carried out, specifically:

3. Claims Nos.:
because they are dependent claims and are not drafted in accordance with the second and third sentences of Rule 6.4(a).

Box III Observations where unity of invention is lacking (Continuation of item 3 of first sheet)

This International Searching Authority found multiple inventions in this international application, as follows:

1. As all required additional search fees were timely paid by the applicant, this International Search Report covers all searchable claims.

2. As all searchable claims could be searched without effort justifying an additional fee, this Authority did not invite payment of any additional fee.

3. As only some of the required additional search fees were timely paid by the applicant, this International Search Report covers only those claims for which fees were paid, specifically claims Nos.:

4. No required additional search fees were timely paid by the applicant. Consequently, this International Search Report is restricted to the invention first mentioned in the claims; it is covered by claims Nos.:

Remark on Protest

- The additional search fees were accompanied by the applicant's protest.
- No protest accompanied the payment of additional search fees.

INTERNATIONAL SEARCH REPORT

Information on patent family members

International application No
PCT/US2006/015709

Patent document cited in search report		Publication date	Patent family member(s)	Publication date
EP 1090609	A	11-04-2001	NONE	
US 2004101960	A1	27-05-2004	NONE	
US 2004174768	A1	09-09-2004	NONE	
EP 1090610	A2	11-04-2001	DE 60018003 D1 DE 60018003 T2 DE 60021633 D1 DE 60021633 T2 JP 2001104324 A US 6431743 B1	17-03-2005 23-02-2006 01-09-2005 08-06-2006 17-04-2001 13-08-2002
DE 19532015	A1	06-03-1997	AU 6985596 A WO 9707748 A1	19-03-1997 06-03-1997
WO 02067814	A2	06-09-2002	NONE	
WO 9718031	A	22-05-1997	AU 7659896 A DE 69614133 D1 DE 69614133 T2 DE 69634704 D1 DE 69634704 T2 DK 861117 T3 EP 0861117 A1	05-06-1997 30-08-2001 14-03-2002 09-06-2005 16-03-2006 22-10-2001 02-09-1998
WO 0029049	A1	25-05-2000	AU 1719800 A CA 2350706 A1 EP 1128858 A1 JP 2002529204 T	05-06-2000 25-05-2000 05-09-2001 10-09-2002