



US00D735372S

(12) **United States Design Patent**  
**Li**

(10) **Patent No.:** **US D735,372 S**

(45) **Date of Patent:** **\*\* Jul. 28, 2015**

(54) **LAMP**

(71) Applicant: **Xiao Hui Li**, Guangdong (CN)

(72) Inventor: **Xiao Hui Li**, Guangdong (CN)

(73) Assignee: **Brilliance LED, LLC**, Carefree, AZ (US)

(\*\*) Term: **14 Years**

(21) Appl. No.: **29/479,478**

(22) Filed: **Jan. 16, 2014**

(51) **LOC (10) Cl.** ..... **26-04**

(52) **U.S. Cl.**  
USPC ..... **D26/2**

(58) **Field of Classification Search**  
USPC ..... D26/1-4; 313/313, 315, 316, 317, 318,  
313/493; 315/52, 53, 56, 57, 58  
See application file for complete search history.

(56) **References Cited**

U.S. PATENT DOCUMENTS

D542,943 S \* 5/2007 Wang ..... D26/2  
D544,110 S \* 6/2007 Hooker et al. .... D26/2

D546,980 S \* 7/2007 Lo ..... D26/2  
D547,886 S \* 7/2007 Foo ..... D26/2  
D549,854 S \* 8/2007 Takahashi ..... D26/2  
D566,300 S \* 4/2008 Lo ..... D26/2  
D582,579 S \* 12/2008 Tsai et al. .... D26/2  
D587,383 S \* 2/2009 Wei ..... D26/2  
D667,571 S \* 9/2012 Zhang ..... D26/2

\* cited by examiner

*Primary Examiner* — Marcus Jackson

(74) *Attorney, Agent, or Firm* — Venjuris, P.C.

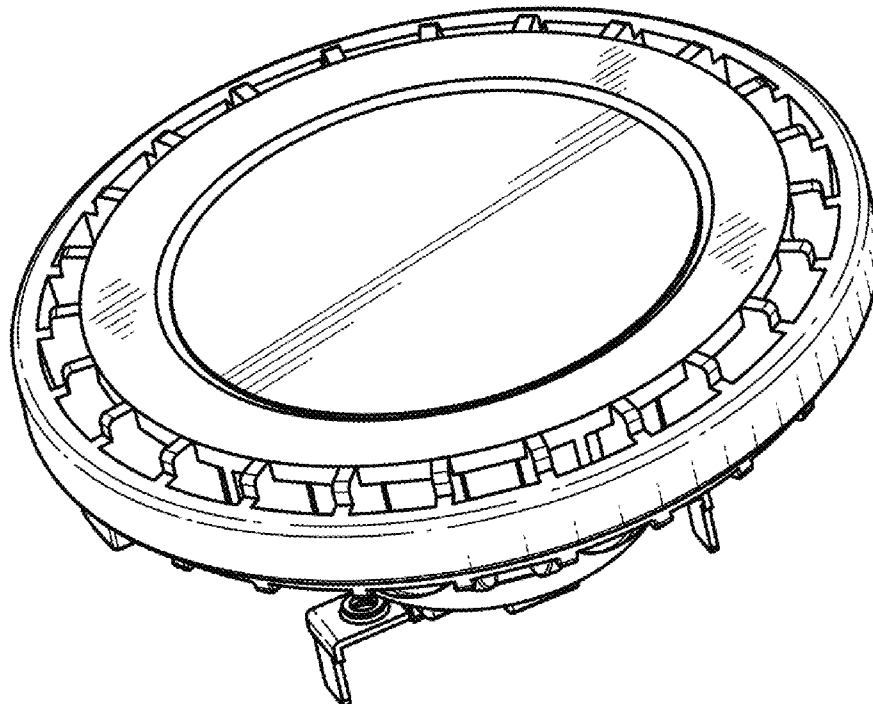
(57) **CLAIM**

The ornamental design for a lamp, as shown and described.

**DESCRIPTION**

FIG. 1 is a perspective view of a lamp embodying the new design;  
FIG. 2 is a perspective view of the lamp rotated 180 degrees along the length of the lamp;  
FIG. 3 is a front elevational view of the lamp, the rear elevational view being a mirror image;  
FIG. 4 is a left elevational view of the lamp, the right elevational view being a mirror image;  
FIG. 5 is a top plan view of the lamp; and,  
FIG. 6 is a bottom plan view of the lamp.

**1 Claim, 3 Drawing Sheets**



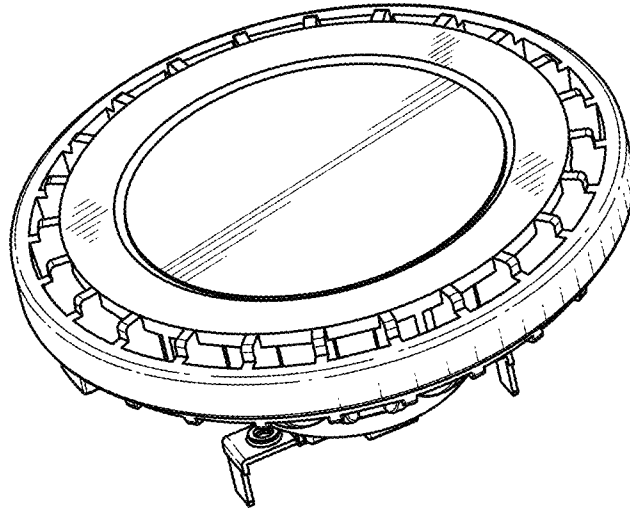


FIG. 1

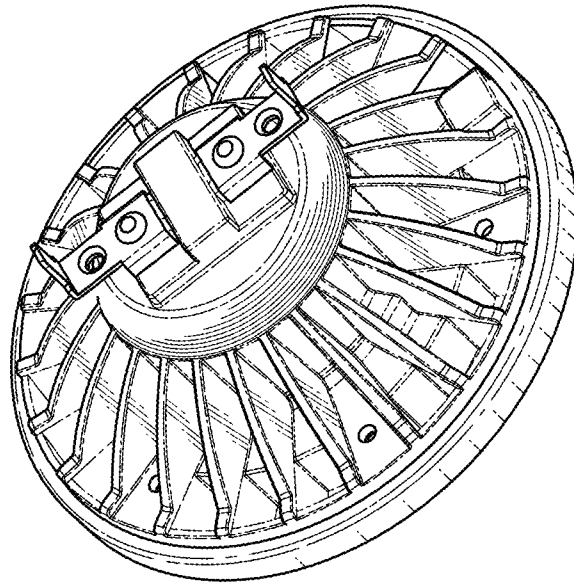


FIG. 2

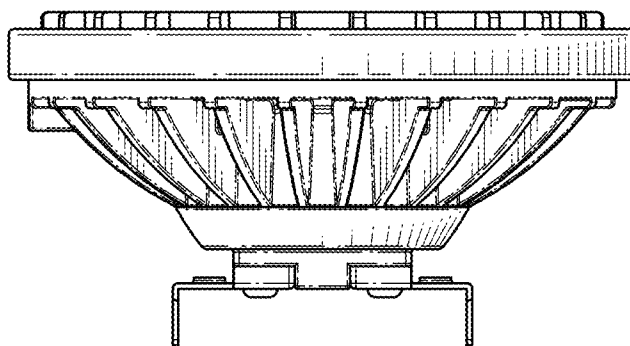


FIG. 3

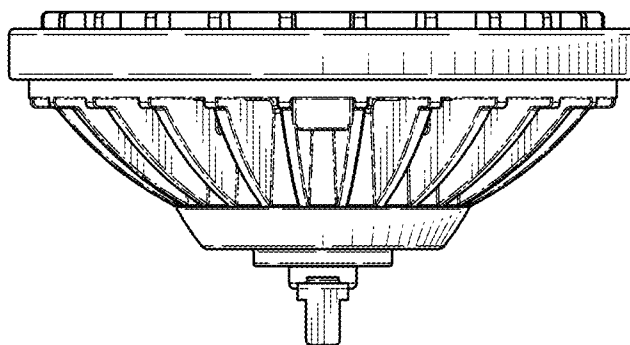


FIG. 4

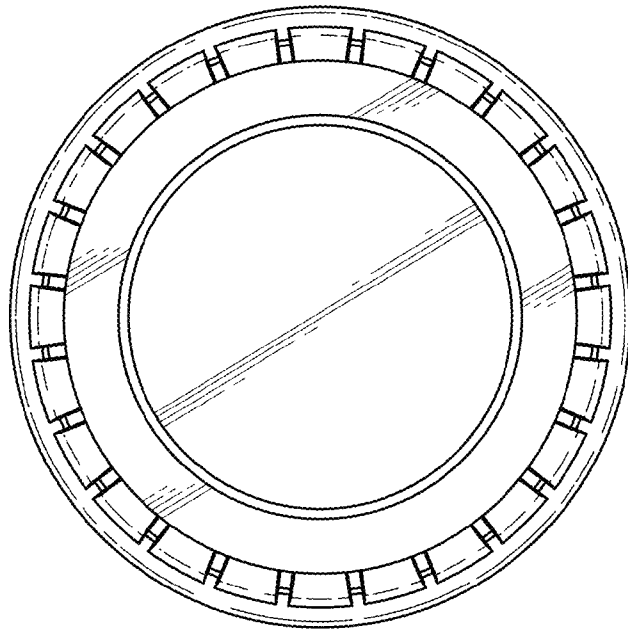


FIG. 5

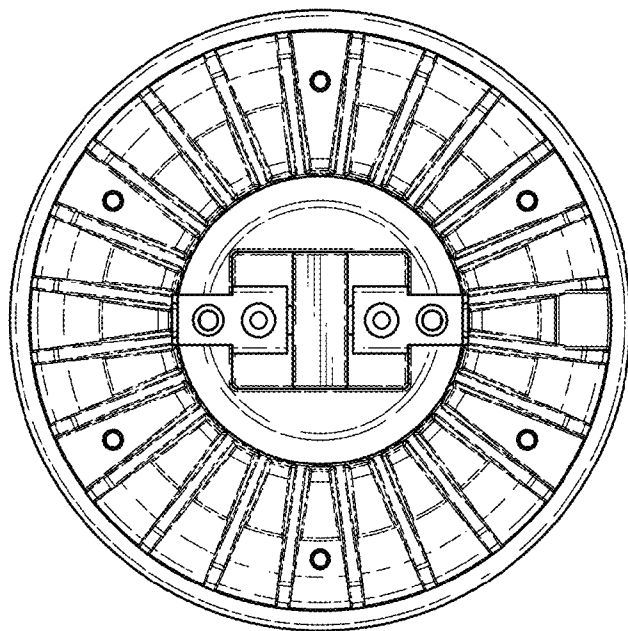


FIG. 6