



US00D764334S

(12) **United States Design Patent**
Greenwood

(10) **Patent No.:** **US D764,334 S**

(45) **Date of Patent:** **** Aug. 23, 2016**

(54) **PRESSURE REGULATOR**

(71) Applicant: **Nelson Irrigation Corporation**, Walla Walla, WA (US)

(72) Inventor: **Riley D. Greenwood**, Walla Walla, WA (US)

(73) Assignee: **Nelson Irrigation Corporation**, Walla Walla, WA (US)

(**) Term: **14 Years**

(21) Appl. No.: **29/525,851**

(22) Filed: **May 4, 2015**

(51) **LOC (10) Cl.** **10-04**

(52) **U.S. Cl.**
USPC **D10/85; D23/233**

(58) **Field of Classification Search**
USPC D10/85, 94; D23/233
CPC B60C 23/0408; B60C 23/0494; G01L 7/043;
G01L 7/00-7/24; G01L 13/00-13/06; G01L
15/00; G01L 17/00-17/005; G01L
19/00-19/16; G01L 23/00-23/32; G01L
27/00; G01L 23/02
See application file for complete search history.

(56) **References Cited**

U.S. PATENT DOCUMENTS

6,026,850 A * 2/2000 Newton G05D 16/0655
137/505
9,092,035 B2 * 7/2015 Yamauchi G05D 16/0661

OTHER PUBLICATIONS

Jain Irrigation Inc., Pressure Regulators brochure, Rev. Mar. 2010, www.jainusa.com, Part # 91500124 (2010), eight pages.

Rain Bird Corp., Pressure Regulators for Agriculture Irrigation Systems, PSI-M Series Pressure Regulators product information, retrieved May 5, 2015 from <http://www.rainbird.com/ag/products/PressureRegulators/index.htm>, one page.

Nelson Irrigation Corp., Pressure Regulators product information, retrieved May 5, 2015 from <http://www.nelsonirrigation.com/products/family/pressure-regulators>, five pages.

Senninger Irrigation Inc., Black & White™ Pressure Regulators brochure, MS-1150, pre-2014, two pages.

* cited by examiner

Primary Examiner — Antoine D Davis

(74) *Attorney, Agent, or Firm* — Nixon & Vanderhye P.C.

(57) **CLAIM**

The ornamental design for a pressure regulator, as shown and described.

DESCRIPTION

FIG. 1 is a perspective view of the front, right side and top of a pressure regulator showing an embodiment according to the new ornamental design;

FIG. 2 is a top view thereof;

FIG. 3 is a bottom view thereof;

FIG. 4 is a front view thereof;

FIG. 5 is a rear view thereof;

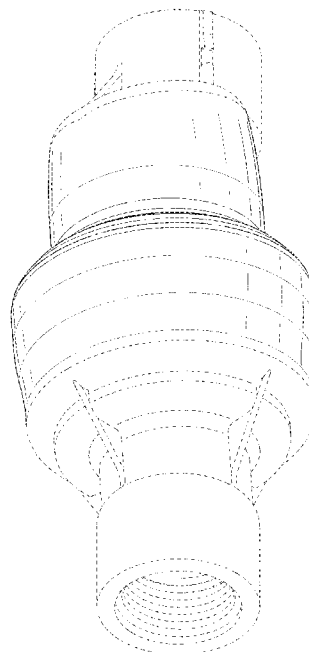
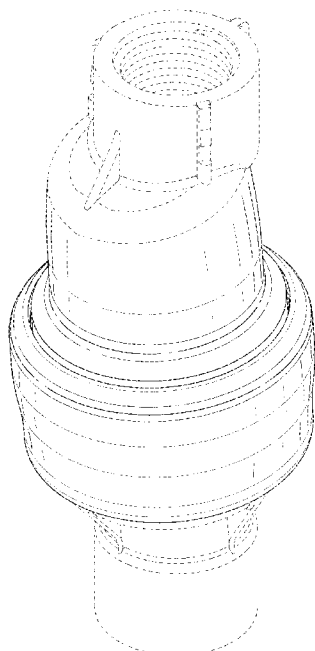
FIG. 6 is a right side view thereof;

FIG. 7 is a left side view thereof; and,

FIG. 8 is a perspective view of the front, right side and bottom thereof.

The broken lines within the Figures show portions of the pressure regulator which form no part of the claimed design.

1 Claim, 7 Drawing Sheets



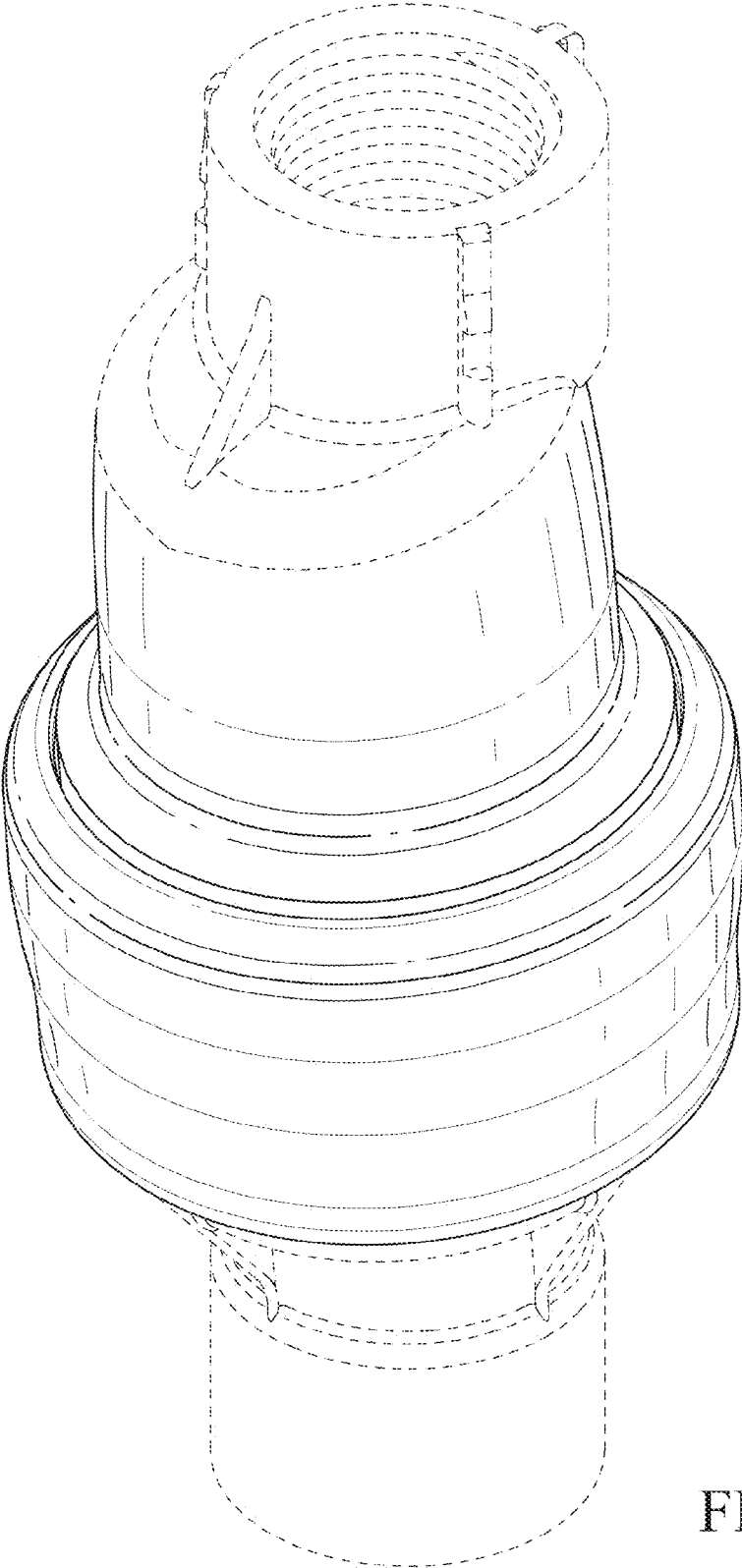


FIG. 1

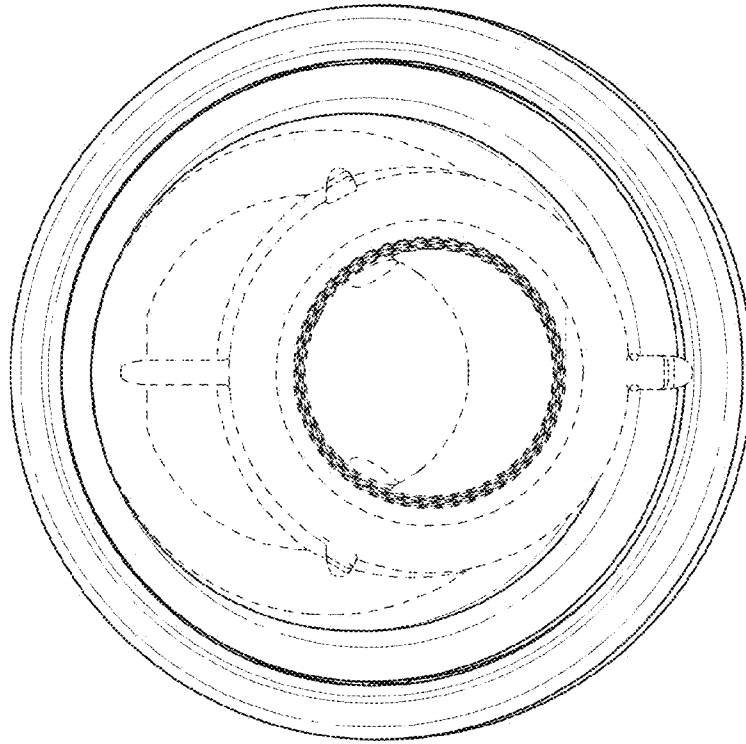


FIG. 2

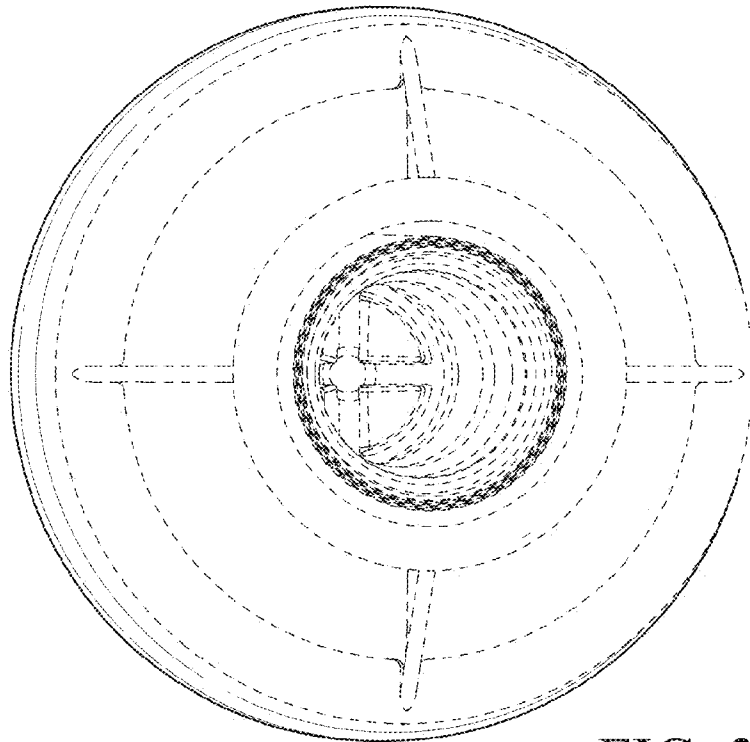


FIG. 3

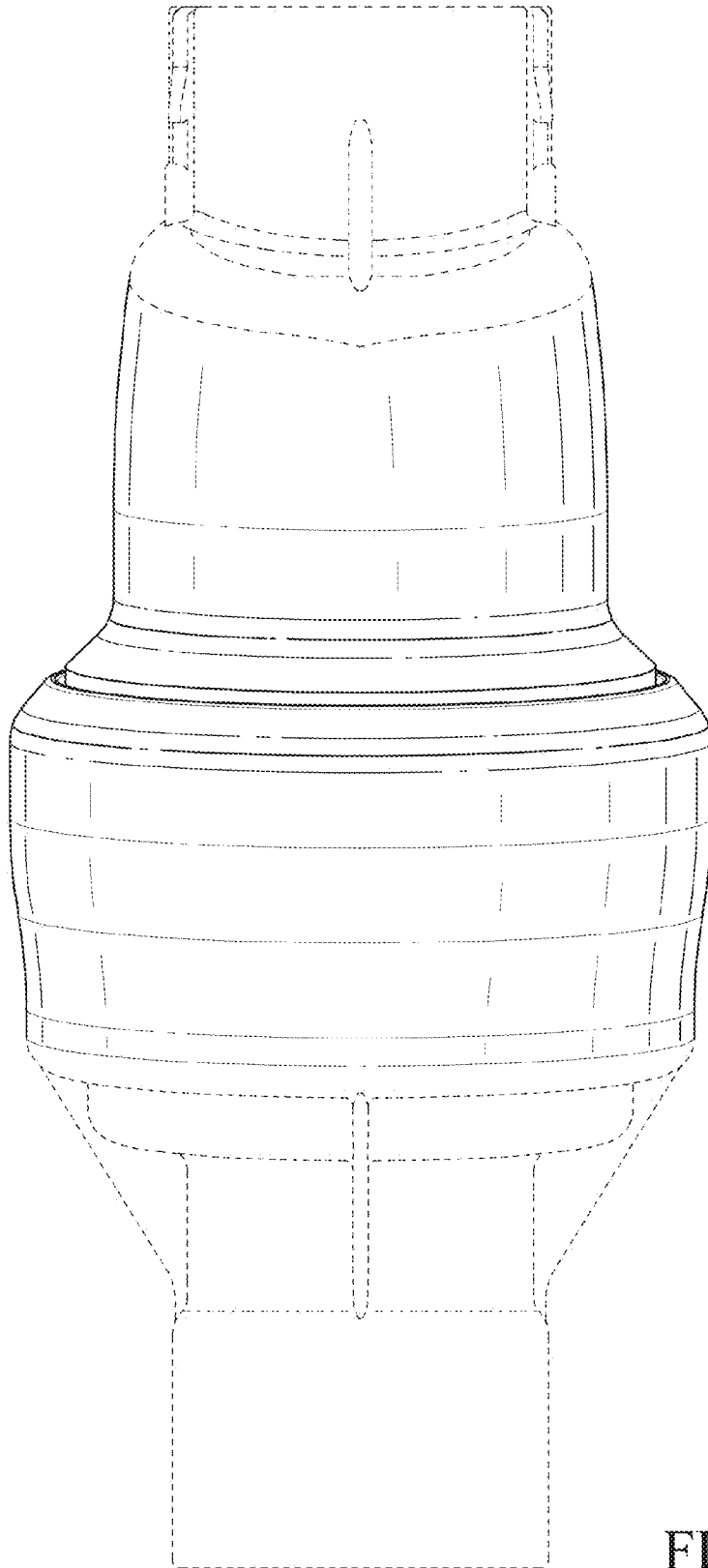


FIG. 4

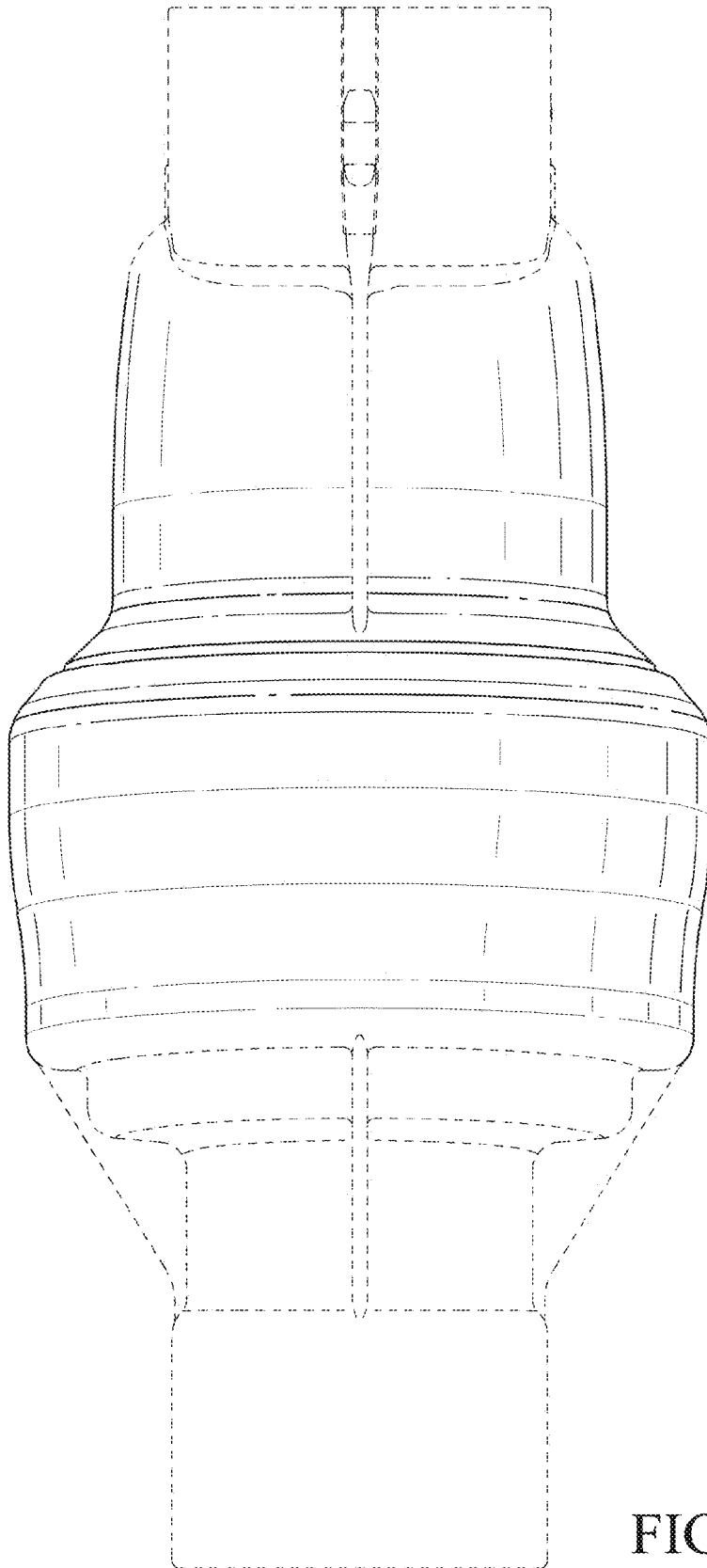


FIG. 5

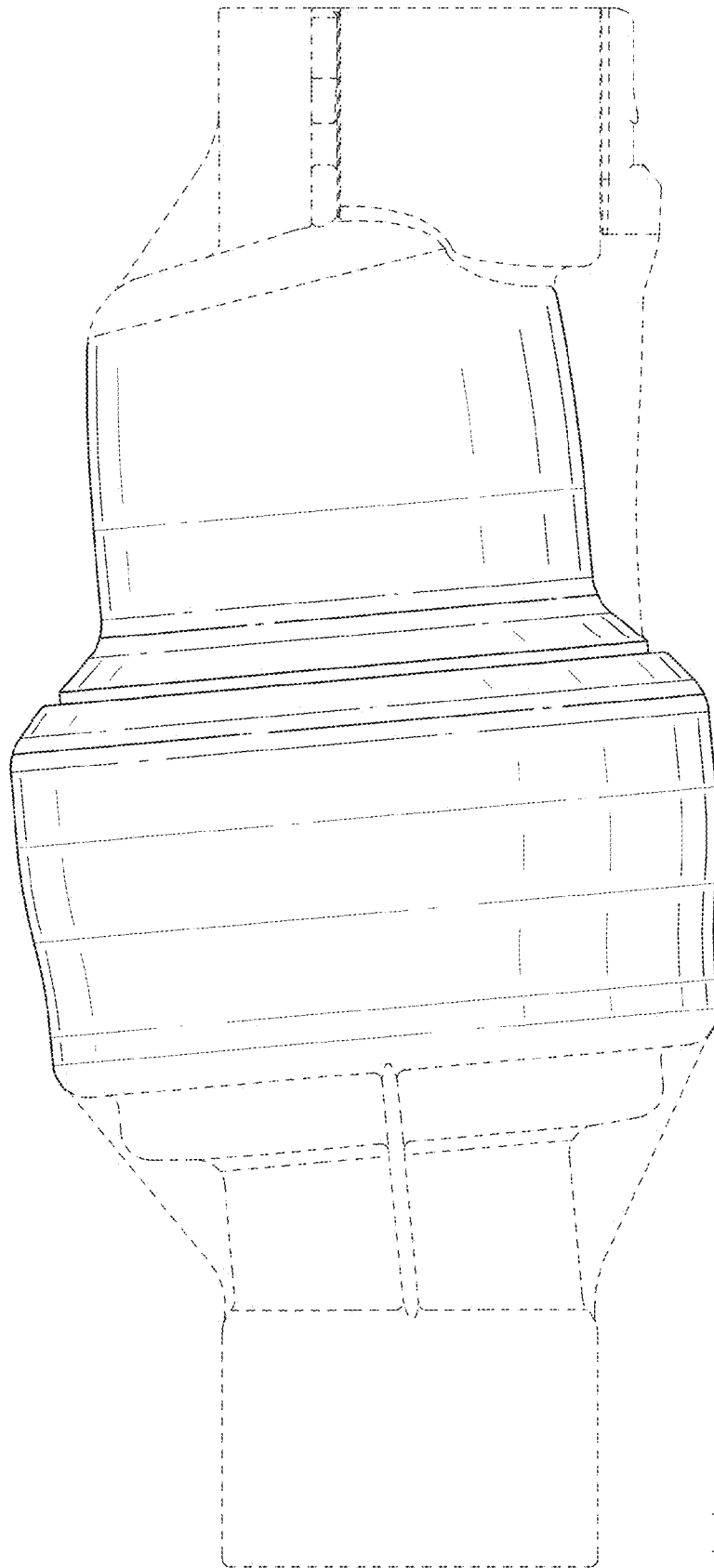


FIG. 6

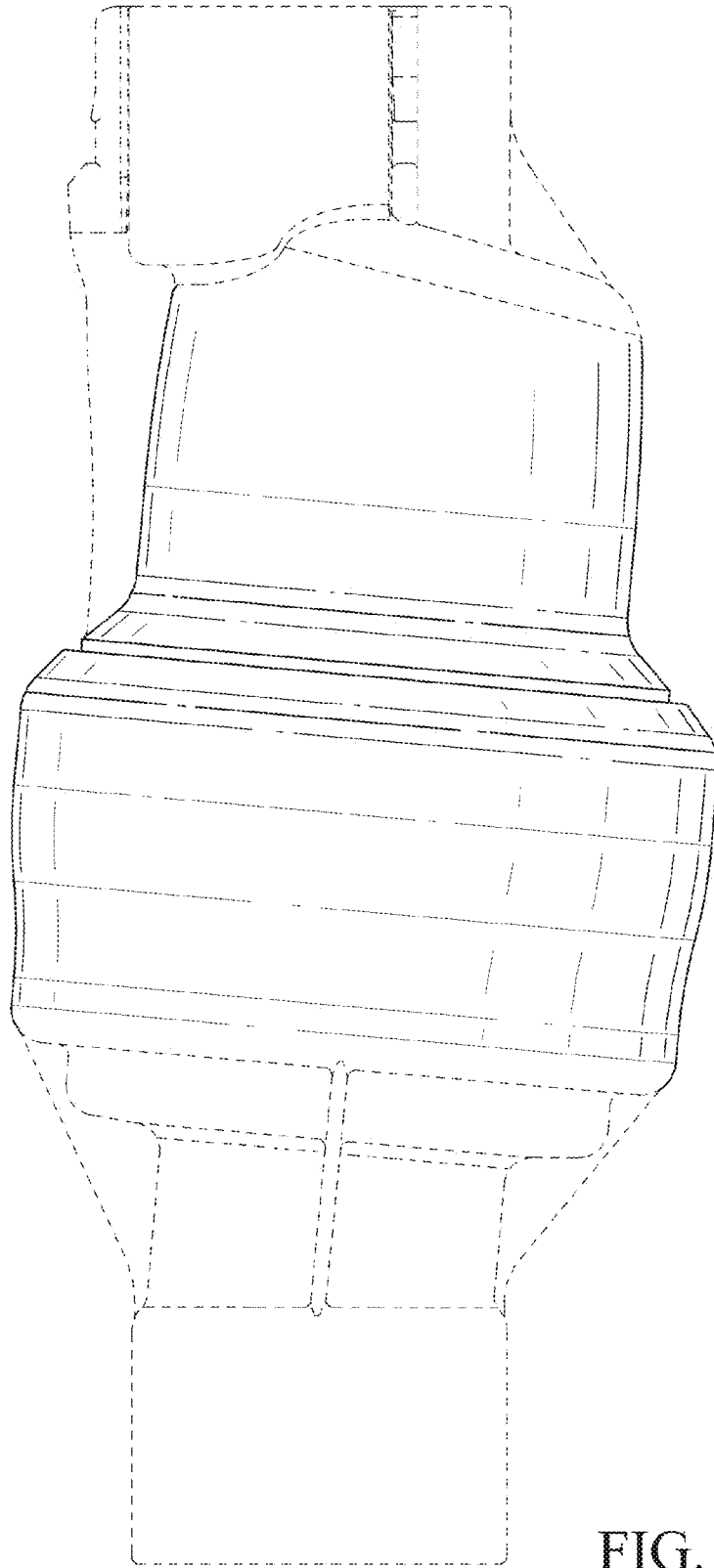


FIG. 7

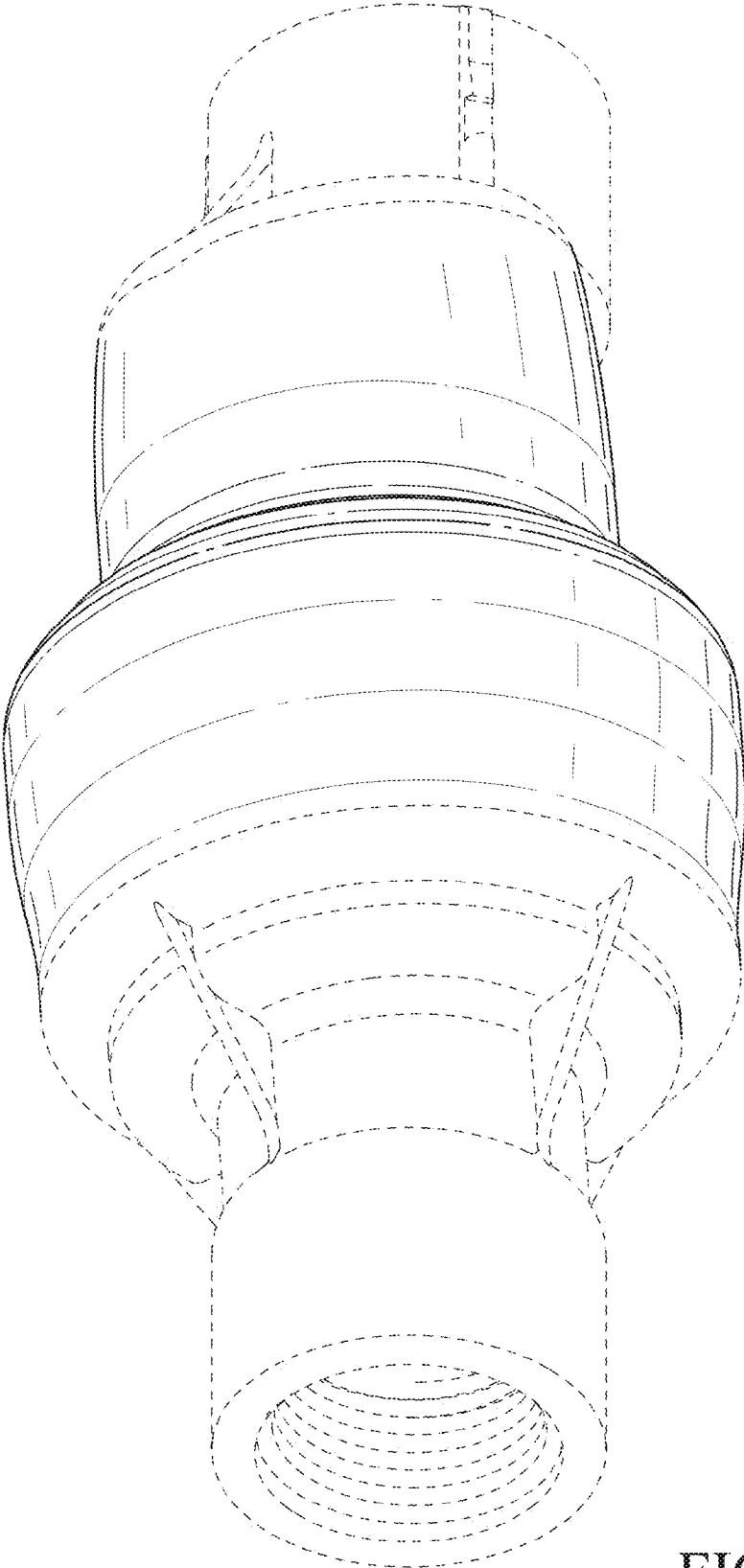


FIG. 8