

(19) World Intellectual Property Organization  
International Bureau



(43) International Publication Date  
13 June 2002 (13.06.2002)

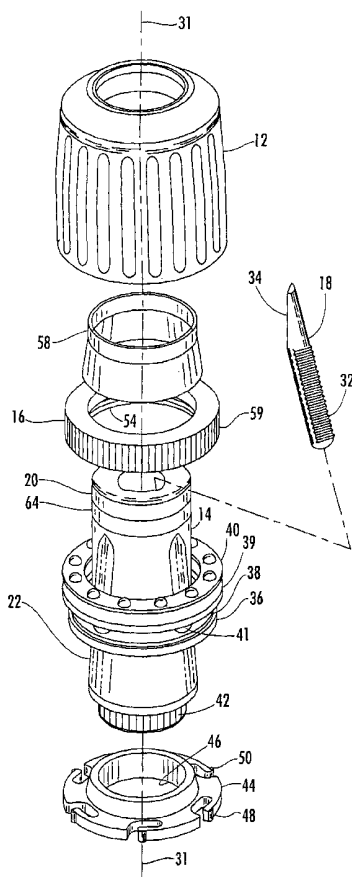
PCT

(10) International Publication Number  
WO 02/045890 A3

- (51) International Patent Classification<sup>7</sup>: **B23B 31/12** (74) Agent: **FARR, Lloyd, G.**; Nelson Mullins Riley & Scarborough, LLP, P.O. Box 11070, Columbia, SC 29211-1070 (US).
- (21) International Application Number: PCT/US01/46410
- (22) International Filing Date: 6 December 2001 (06.12.2001) (81) Designated States (*national*): AE, AG, AL, AM, AT, AU, AZ, BA, BB, BG, BR, BY, BZ, CA, CH, CN, CO, CR, CU, CZ, DE, DK, DM, DZ, EC, EE, ES, FI, GB, GD, GE, GH, GM, HR, HU, ID, IL, IN, IS, JP, KE, KG, KP, KR, KZ, LC, LK, LR, LS, LT, LU, LV, MA, MD, MG, MK, MN, MW, MX, MZ, NO, NZ, PH, PL, PT, RO, RU, SD, SE, SG, SI, SK, SL, TJ, TM, TR, TT, TZ, UA, UG, UZ, VN, YU, ZA, ZW.
- (25) Filing Language: English
- (26) Publication Language: English
- (30) Priority Data: 09/731,086 6 December 2000 (06.12.2000) US
- (71) Applicant: **POWER TOOL HOLDERS INCORPORATED** [US/US]; 16 West Main Street, Christiana, DE 19702 (US).
- (72) Inventor: **MARRIOTT, Keith**; 2 High Ash Villa, Mansfield Road, Clowne S43 4DQ (GB).
- (84) Designated States (*regional*): ARIPO patent (GH, GM, KE, LS, MW, MZ, SD, SL, SZ, TZ, UG, ZW), Eurasian patent (AM, AZ, BY, KG, KZ, MD, RU, TJ, TM), European patent (AT, BE, CH, CY, DE, DK, ES, FI, FR, GB, GR, IE, IT, LU, MC, NL, PT, SE, TR), OAPI patent (BF, BJ, CF, CG, CI, CM, GA, GN, GQ, GW, ML, MR, NE, SN, TD, TG).

[Continued on next page]

(54) Title: CHUCK WITH SPRING LEG DUST COVER



(57) Abstract: A chuck (10) includes a generally cylindrical body (14) having a nose section (20) and a tail section (22). The tail section (22) is configured to rotate with the drive shaft, and the nose section (20) has an axial bore (24) formed therein. A plurality of jaws (18) are movably disposed with respect to said body (14) toward and away from an axis (31) of the axial bore (24). A generally cylindrical sleeve (12) is mounted about the body (14) forward of the tail section (22) and extends rearwardly toward and surrounds the body tail section (22). A disk (44) is mounted about the body tail section (22) and defines a plurality of radially outward extending flexible tips (5) that engage the sleeve (12).

WO 02/045890 A3



**Published:**

— *with international search report*

*For two-letter codes and other abbreviations, refer to the "Guidance Notes on Codes and Abbreviations" appearing at the beginning of each regular issue of the PCT Gazette.*

**(88) Date of publication of the international search report:**

6 September 2002

INTERNATIONAL SEARCH REPORT

International application No.  
PCT/US01/46410

**A. CLASSIFICATION OF SUBJECT MATTER**

IPC(7) :B23B 31/12  
US CL :279/61, 62, 140, 902  
According to International Patent Classification (IPC) or to both national classification and IPC

**B. FIELDS SEARCHED**

Minimum documentation searched (classification system followed by classification symbols)

U.S. : 279/60-65, 140, 902; 408/240

Documentation searched other than minimum documentation to the extent that such documents are included in the fields searched  
NONE

Electronic data base consulted during the international search (name of data base and, where practicable, search terms used)

NONE

**C. DOCUMENTS CONSIDERED TO BE RELEVANT**

Category*	Citation of document, with indication, where appropriate, of the relevant passages	Relevant to claim No.
X --- Y	US 5,435,578 A (ROHM ET AL.) 25 JULY 1995, FIGS. 5, 6A, 6B, COL. 5, LINES 21-34.	1-3,7-11,13 -17 ----- 12
X --- Y	US 5,816,582 A (STEADINGS ET AL.) 06 OCTOBER 1998, FIGS. 1-4, COL. 4, LINES 22-59.	1-3,7-10,14 -17 ----- 4-6
X	US 5,957,469 A (MILES ET AL.) 28 SEPTEMBER 1999, FIGS. 1-3, COL 7, LINES 15-44.	1-3,7-10,14 -17

Further documents are listed in the continuation of Box C.  See patent family annex.

* Special categories of cited documents:	"T"	later document published after the international filing date or priority date and not in conflict with the application but cited to understand the principle or theory underlying the invention
"A" document defining the general state of the art which is not considered to be of particular relevance	"X"	document of particular relevance; the claimed invention cannot be considered novel or cannot be considered to involve an inventive step when the document is taken alone
"E" earlier document published on or after the international filing date	"Y"	document of particular relevance; the claimed invention cannot be considered to involve an inventive step when the document is combined with one or more other such documents, such combination being obvious to a person skilled in the art
"L" document which may throw doubts on priority claim(s) or which is cited to establish the publication date of another citation or other special reason (as specified)	"&"	document member of the same patent family
"O" document referring to an oral disclosure, use, exhibition or other means		
"P" document published prior to the international filing date but later than the priority date claimed		

Date of the actual completion of the international search  
29 APRIL 2002

Date of mailing of the international search report  
15 MAY 2002

Name and mailing address of the ISA/US  
Commissioner of Patents and Trademarks  
Box PCT  
Washington, D.C. 20231  
Facsimile No. (703) 305-3230

Authorized officer

STEVEN C. BISHOP

Telephone No. (703) 308-1177

*Shigita Venty*  
Paralegal Specialist  
Technology Center 3700

## INTERNATIONAL SEARCH REPORT

International application No.  
PCT/US01/16410

C (Continuation). DOCUMENTS CONSIDERED TO BE RELEVANT		
Category*	Citation of document, with indication, where appropriate, of the relevant passages	Relevant to claim No.
X	US 5,984,320 A (NAKAMURA) 16 NOVEMBER 1999, FIGS 1, 2, 5, COL. 4, LINES 5-12, 31-38.	1-3,7-10,14-171
Y	US 1,195,214 A (HAPGOOD) 22 AUGUST 1916, FIGS. 1-3, PAGE 1, LINES 51-82.	4-6
A	US 323,179 A (MASON) 28 JULY 1885, SEE THE ENTIRE DOCUMENT.	1-17
A	US 2,458,824 A (AXELSSON) 11 JANUARY 1949, SEE THE ENTIRE DOCUMENT.	1-17
A	US 2,550,871 A (SHARP) 01 MAY 1951, SEE THE ENTIRE DOCUMENT.	1-17