



US00D808879S

(12) **United States Design Patent**  
**Taylor**

(10) **Patent No.:** **US D808,879 S**

(45) **Date of Patent:** **\*\* Jan. 30, 2018**

(54) **WHEEL**

(71) Applicant: **Fredrick Taylor**, Rome, GA (US)

(72) Inventor: **Fredrick Taylor**, Rome, GA (US)

(\*\*) Term: **15 Years**

(21) Appl. No.: **29/558,380**

(22) Filed: **Mar. 17, 2016**

(51) **LOC (11) Cl.** ..... **12-16**

(52) **U.S. Cl.**

USPC ..... **D12/209**

(58) **Field of Classification Search**

USPC ..... D12/204–213

CPC .... B60B 7/00; B60B 7/02; B60B 7/04; B60B 7/01; B60B 7/06; B60B 3/02; B60B 3/04; B60B 3/06; B60B 3/10; B60B 1/00; B60B 1/08; B60B 1/10; B60B 1/12

See application file for complete search history.

(56) **References Cited**

**U.S. PATENT DOCUMENTS**

D539,723 S \* 4/2007 Musser ..... D12/211  
D620,863 S \* 8/2010 Groom ..... D12/209  
D659,064 S \* 5/2012 Johnson ..... D12/209

D670,222 S \* 11/2012 Chung ..... D12/209  
D675,970 S \* 2/2013 Lee ..... D12/209  
D695,181 S \* 12/2013 Kong ..... D12/209  
D706,193 S \* 6/2014 Lee ..... D12/209  
D707,168 S \* 6/2014 Chan ..... D12/209  
D718,204 S \* 11/2014 Johnson ..... D12/209  
D719,496 S \* 12/2014 Johnson ..... D12/209  
D721,318 S \* 1/2015 Kim ..... D12/211  
D747,674 S \* 1/2016 Johnson ..... D12/209  
D748,557 S \* 2/2016 Johnson ..... D12/209  
D752,497 S \* 3/2016 Johnson ..... D12/209  
D766,805 S \* 9/2016 Chung ..... D12/211

\* cited by examiner

*Primary Examiner* — Stacia Cadmus

(74) *Attorney, Agent, or Firm* — Thomas | Horstemeyer, LLP

(57) **CLAIM**

The ornamental design for a wheel, as shown and described.

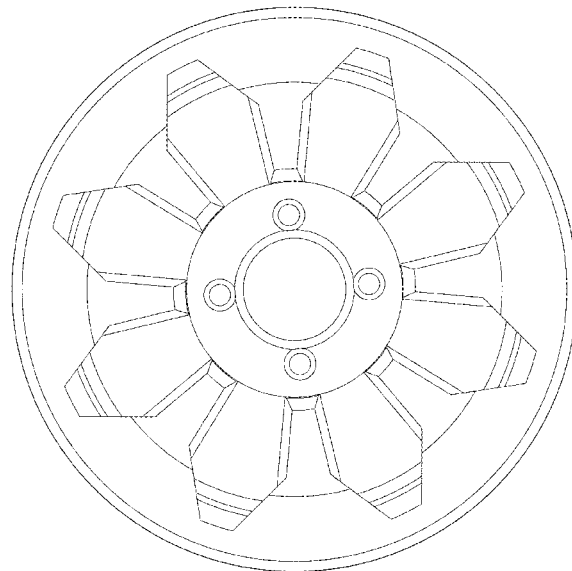
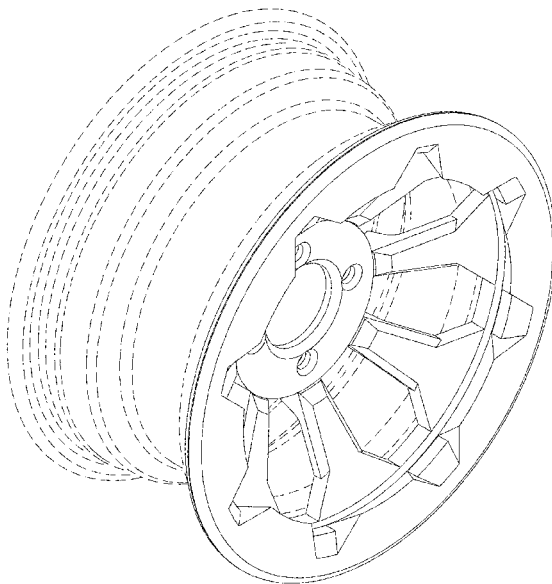
**DESCRIPTION**

FIG. 1 is a perspective view of a wheel, showing my new design; and,

FIG. 2 is a front view thereof.

The broken line showing of the rear portion of the wheel is included for the purpose of illustrating environment and forms no part of the claimed design.

**1 Claim, 2 Drawing Sheets**



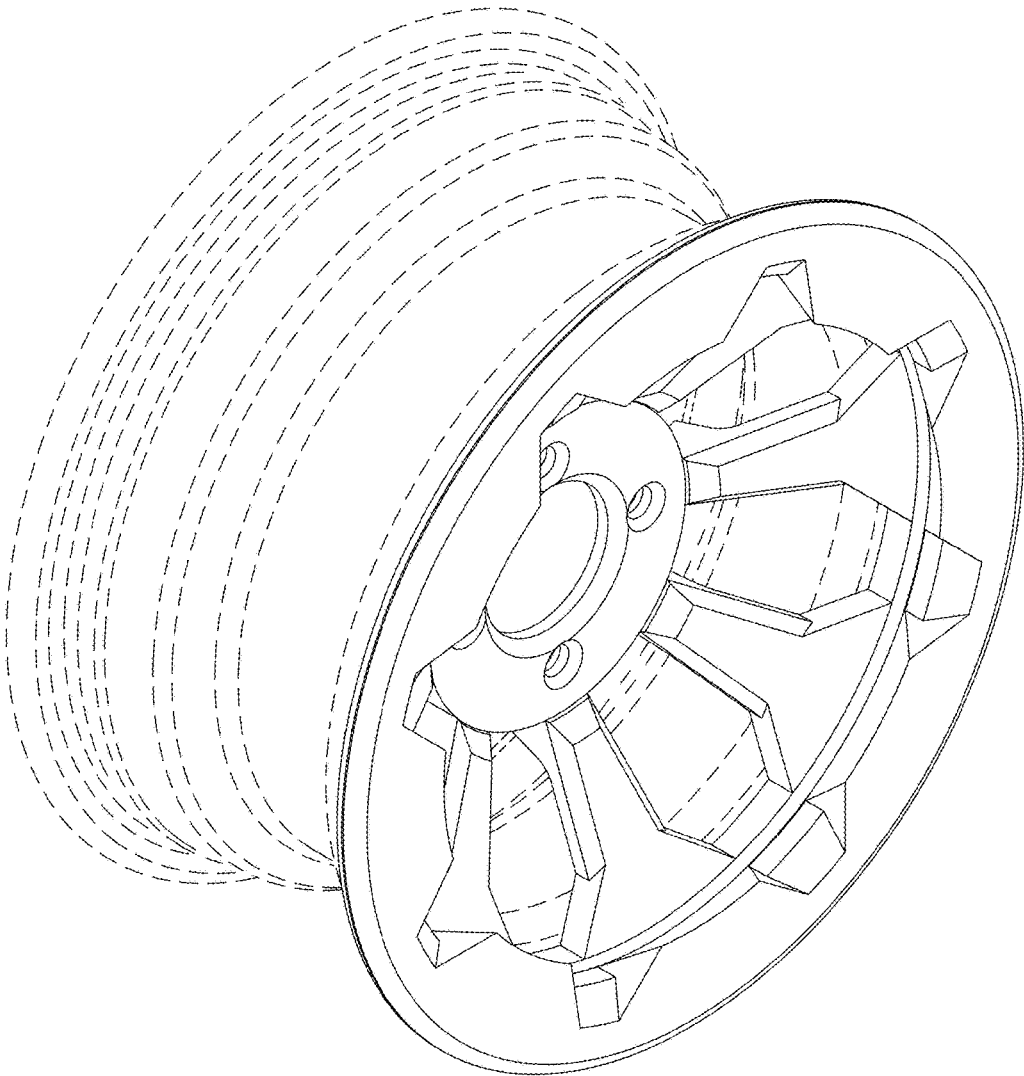


FIG. 1

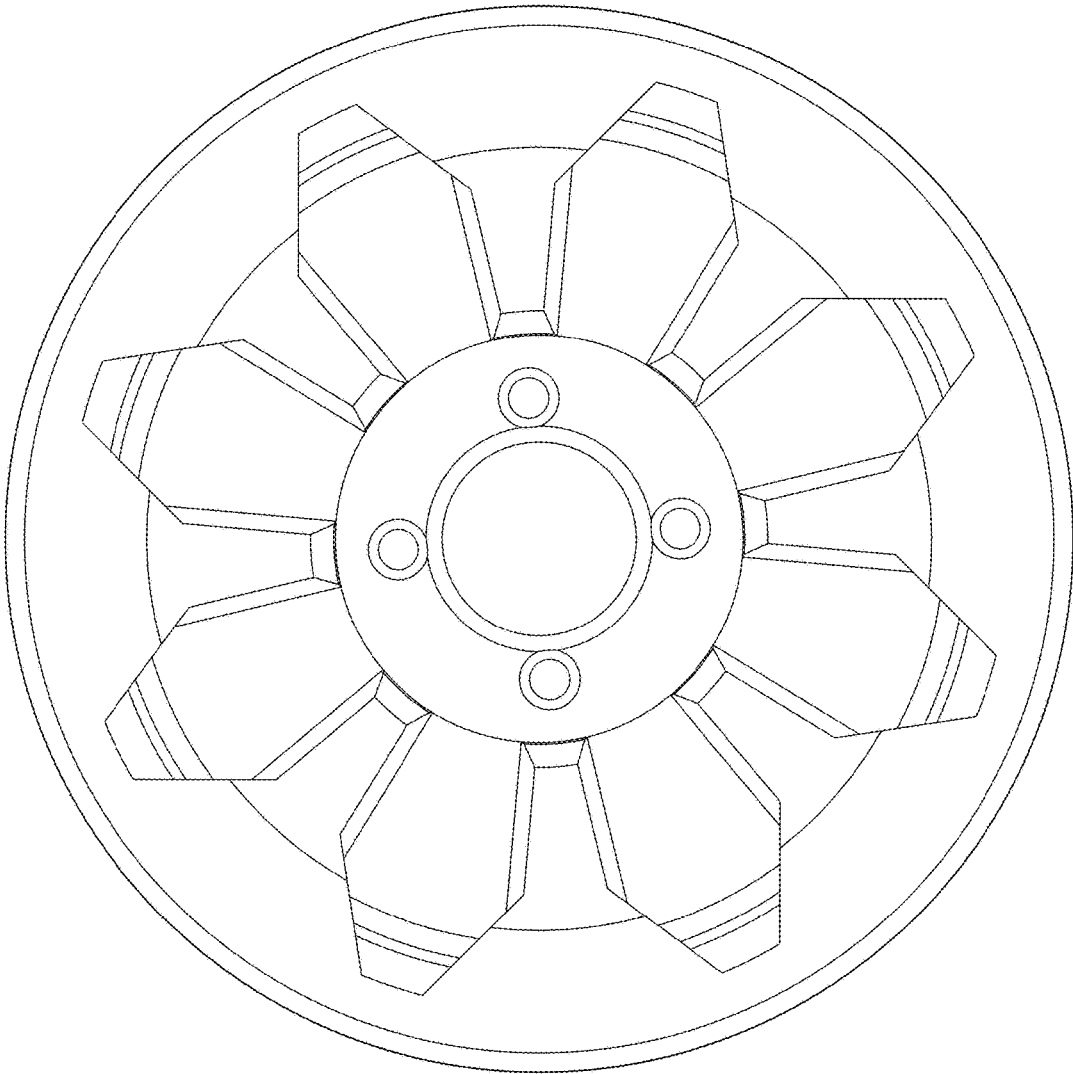


FIG. 2