



US00D850603S

(12) **United States Design Patent**
Wang

(10) **Patent No.:** **US D850,603 S**

(45) **Date of Patent:** **** Jun. 4, 2019**

- (54) **CEILING FAN**
- (71) Applicant: **AIR COOL INDUSTRIAL CO., LTD.**, Taichung (TW)
- (72) Inventor: **Cliff Wang**, Taichung (TW)
- (73) Assignee: **AIR COOL INDUSTRIAL CO., LTD.**, Taichung (TW)
- (**) Term: **15 Years**
- (21) Appl. No.: **29/613,391**
- (22) Filed: **Aug. 9, 2017**
- (51) **LOC (11) Cl.** **23-04**
- (52) **U.S. Cl.**
USPC **D23/377; D26/59**
- (58) **Field of Classification Search**
USPC D23/377, 379, 385, 411–414, 351, 352, D23/354, 370, 371, 373–375, 381, D23/386–389, 393; D26/59, 88, 89
CPC F04D 25/088; F04D 29/38; F04D 29/384; F04D 29/386; F21V 33/0096
See application file for complete search history.

D707,336 S *	6/2014	Pan	D23/377
D744,633 S *	12/2015	Wang	D23/411
D774,176 S *	12/2016	Wang	D23/385
D785,156 S *	4/2017	Wang	D23/377
D789,511 S *	6/2017	Wang	D23/377
D794,768 S *	8/2017	Wang	D23/377
D796,659 S *	9/2017	Schulzman	D23/377
D800,291 S *	10/2017	Wang	D23/377
D804,629 S *	12/2017	McRoberts	D23/377
D809,691 S *	2/2018	Wang	D26/59
D817,472 S *	5/2018	Schulzman	D23/377
2009/0129974 A1 *	5/2009	McEllen	A61L 9/205 422/24

* cited by examiner

Primary Examiner — Cathron C Brooks
Assistant Examiner — Sharon S Oum
 (74) *Attorney, Agent, or Firm* — Pai Patent & Trademark Law Firm; Chao-Chang David Pai

(57) **CLAIM**

The ornamental design for a ceiling fan, as shown and described.

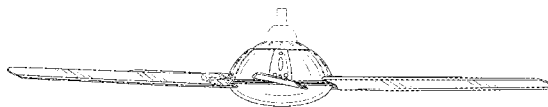
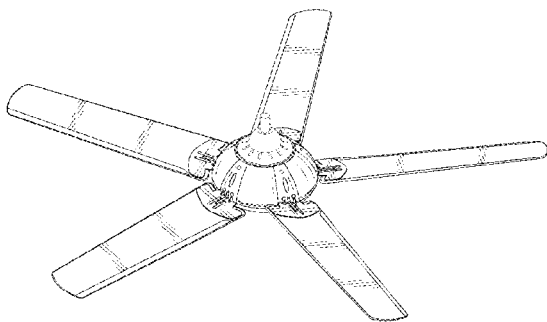
DESCRIPTION

FIG. 1 is a front top perspective view of a ceiling fan showing my new design;
 FIG. 2 is a front elevational view thereof;
 FIG. 3 is a rear elevational view thereof;
 FIG. 4 is a left side elevational view thereof;
 FIG. 5 is a right side elevational view thereof;
 FIG. 6 is a top plan view thereof;
 FIG. 7 is a bottom plan view thereof; and,
 FIG. 8 is a front bottom perspective view thereof.
 The broken lines illustrate portions of the ceiling fan and form no part of the claimed design.

1 Claim, 6 Drawing Sheets

(56) **References Cited**
 U.S. PATENT DOCUMENTS

D346,858 S *	5/1994	Lee	D23/377
D382,636 S *	8/1997	Yang	D23/377
D384,737 S *	10/1997	Gee, II	D23/377
D396,530 S *	7/1998	Tai	D23/377
D407,155 S *	3/1999	Liu	D23/377
D466,206 S *	11/2002	Gajewski	D23/377
D476,408 S *	6/2003	Hidalgo	D23/411
D476,728 S *	7/2003	Gajewski	D23/377
D503,472 S *	3/2005	Tai	D23/413
D634,053 S *	3/2011	Guercio	D26/89



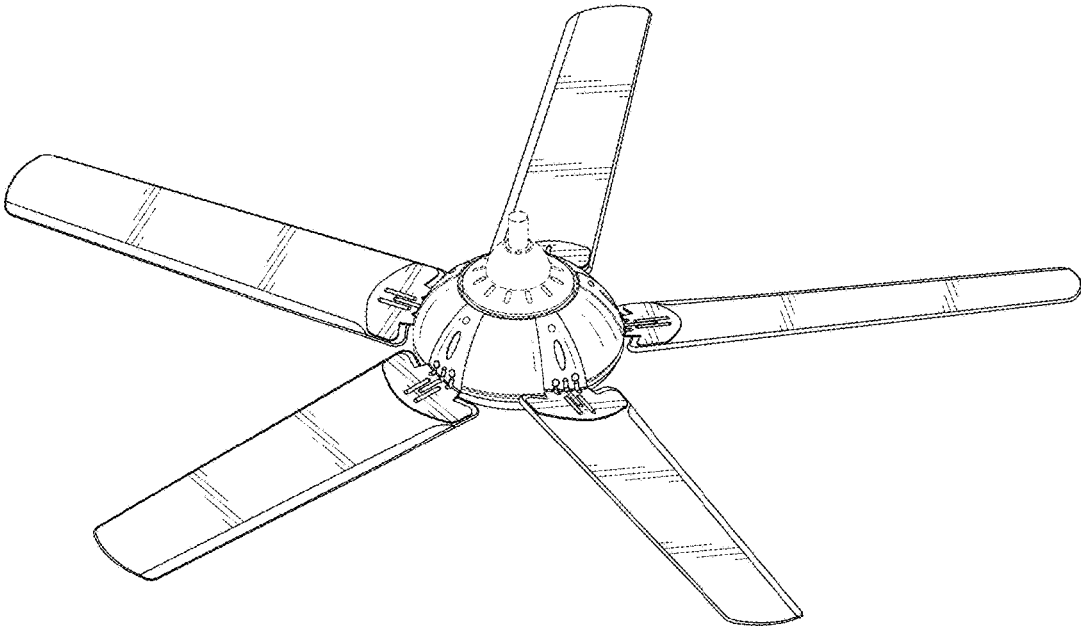


FIG. 1

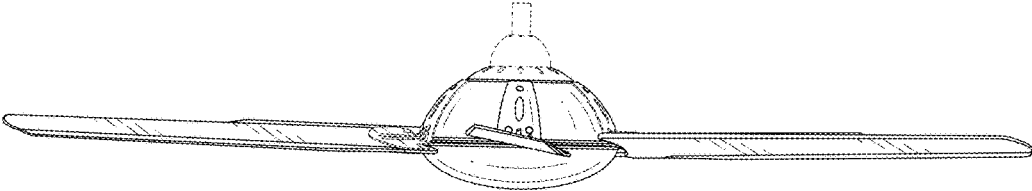


FIG. 2

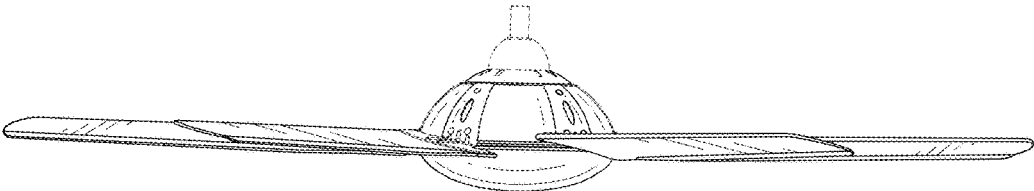


FIG. 3

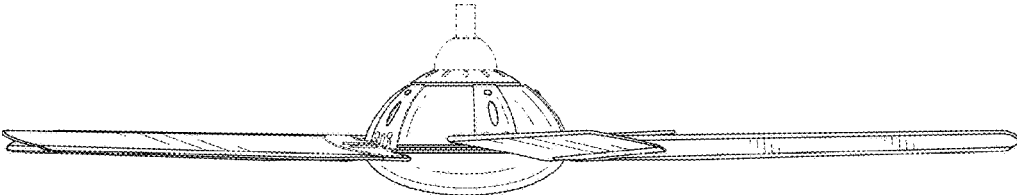


FIG. 4

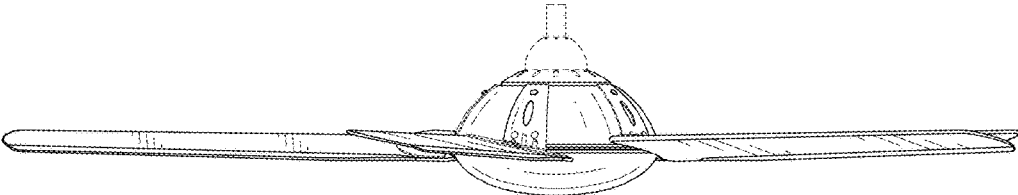


FIG. 5

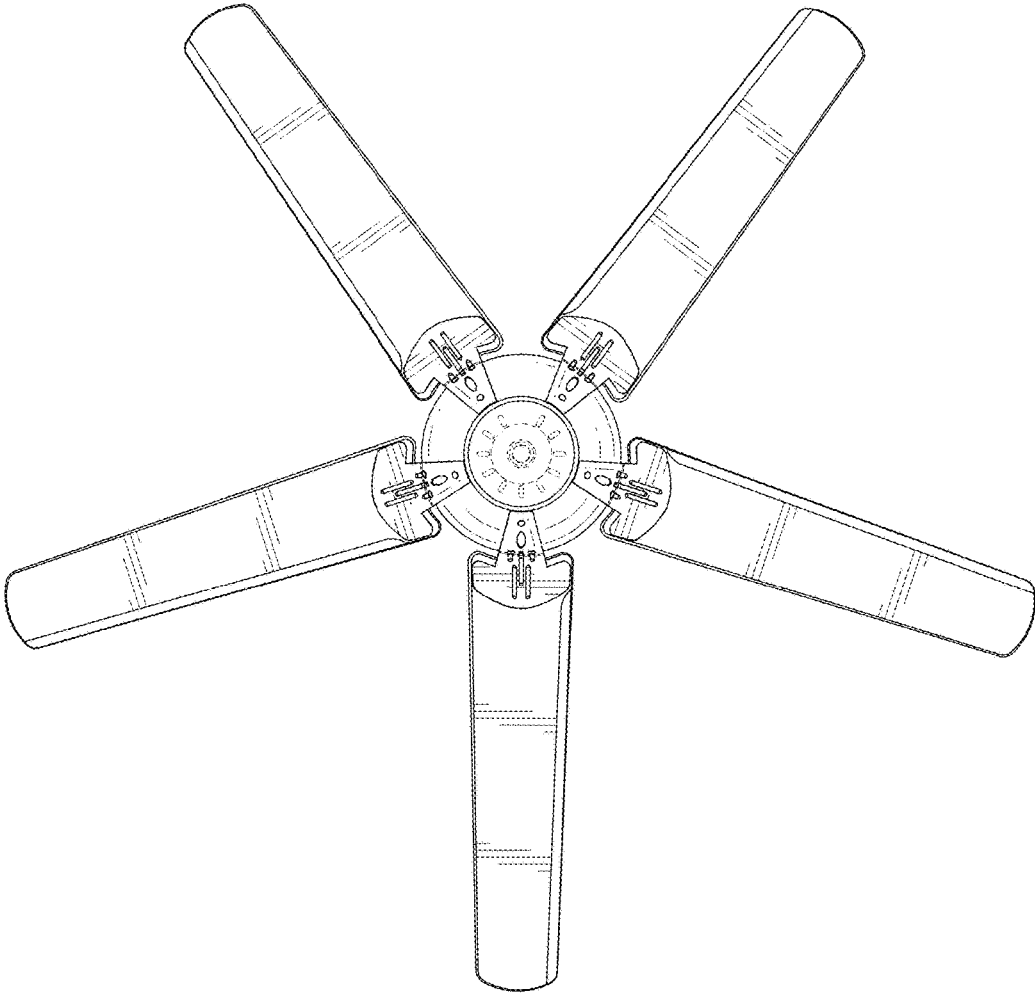


FIG. 6

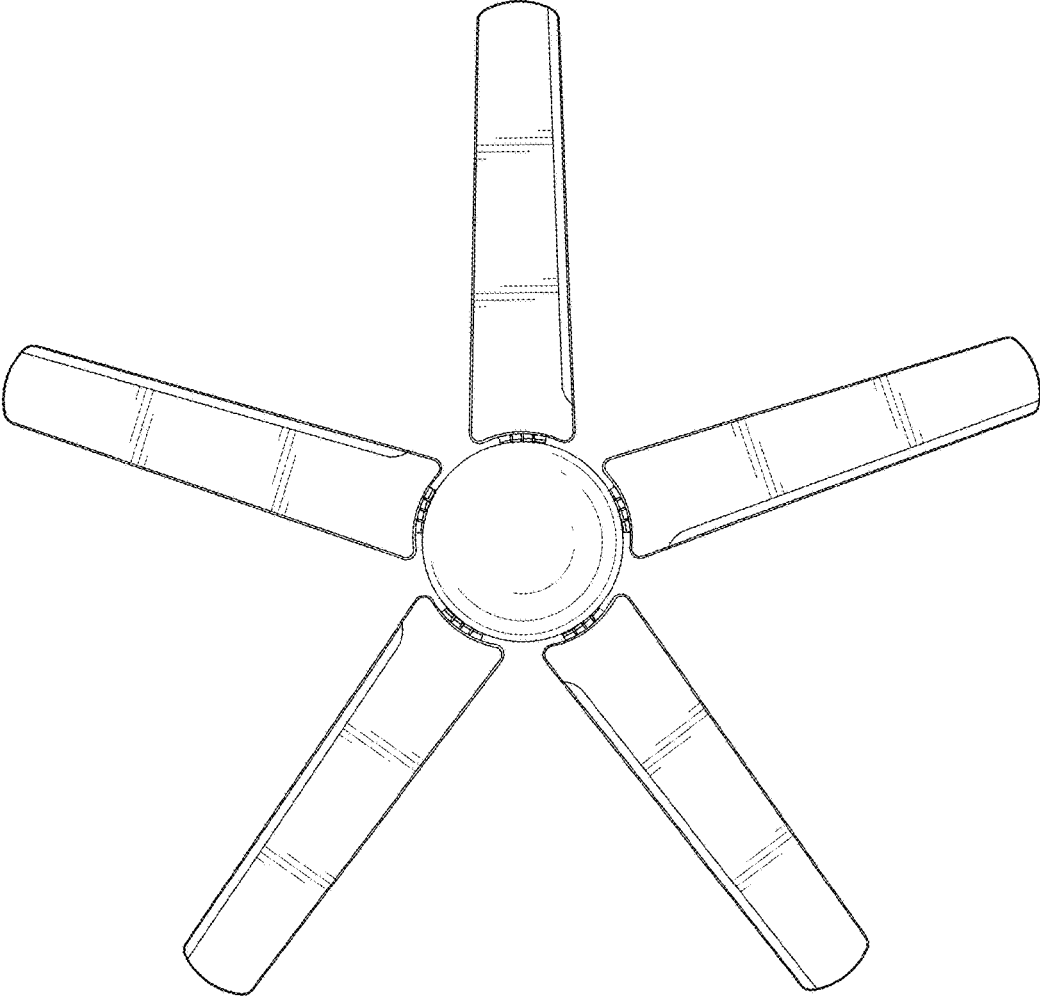


FIG. 7

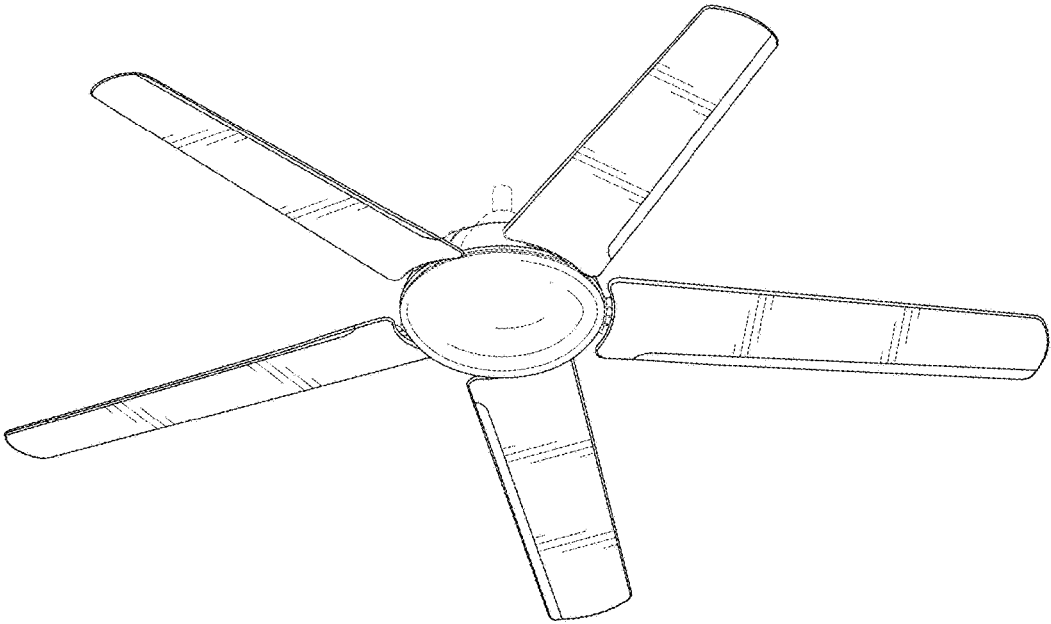


FIG. 8