

Dec. 23, 1947.

J. E. DOSS, JR

Des. 148,152

RAZOR

Filed March 9, 1946

Fig. 1.

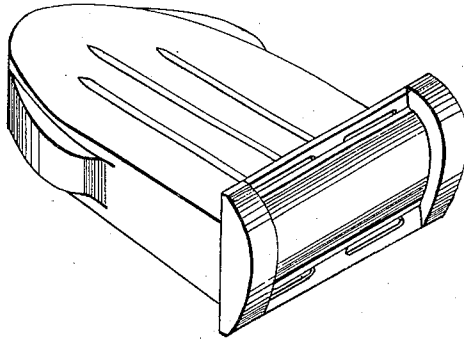
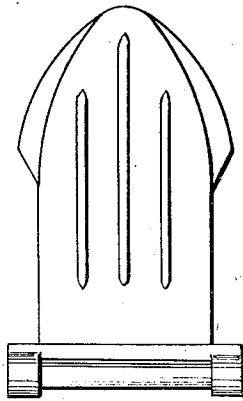


Fig. 2.



INVENTOR
John E. Doss Jr

BY

Munn, Liddy & Glasco
Attorneys

UNITED STATES PATENT OFFICE

148,152

DESIGN FOR A RAZOR

John E. Doss, Jr., Newark, N. J., assignor to
A. Hager Bryant, Jr., Upper Montclair, N. J.

Application March 9, 1946, Serial No. 127,275

Term of patent 14 years

(Cl. D22—3)

To all whom it may concern:

Be it known that I, John E. Doss, Jr., a citizen of the United States and a resident of Newark, in the county of Essex and State of New Jersey, have invented a new, original, and ornamental Design for a Razor, of which the following is a specification, reference being had to the accompanying drawing, forming part thereof, in which—

Fig. 1 is a perspective view of a razor showing my new design.

Fig. 2 is a plan view thereof.

I claim:

The ornamental design for a razor, substantially as shown.

JOHN E. DOSS, JR.

REFERENCES CITED

The following references are of record in the file of this patent:

UNITED STATES PATENTS

Number	Name	Date
D. 108,542	Hanley -----	Feb. 22, 1938
D. 110,928	Moseley -----	Aug. 16, 1938
D. 114,060	Florman -----	Apr. 4, 1939
D. 119,429	Frey -----	Mar. 12, 1940