

(19) World Intellectual Property Organization
International Bureau



(43) International Publication Date
10 December 2009 (10.12.2009)

(10) International Publication Number
WO 2009/147039 A3

(51) International Patent Classification:
F25D 23/02 (2006.01)

(21) International Application Number:
PCT/EP2009/056447

(22) International Filing Date:
27 May 2009 (27.05.2009)

(25) Filing Language: English

(26) Publication Language: English

(30) Priority Data:
102008026383.4 2 June 2008 (02.06.2008) DE

(71) Applicant (for all designated States except US): **BSH BOSCH UND SIEMENS HAUSGERÄTE GMBH** [DE/DE]; Carl-Wery-Straße 34, 81739 München (DE).

(72) Inventors; and

(75) Inventors/Applicants (for US only): **ENGEL, Klaus** [DE/DE]; Förstelblick 37, 74889 Sinsheim (DE). **LINKE, Christine** [DE/DE]; Bächinger Straße 34 a, 89423 Gundelfingen (DE). **RUPP, Alexander** [DE/CN]; No. 1 Ximenzi Road, Chuzhou, 239016 (CN).

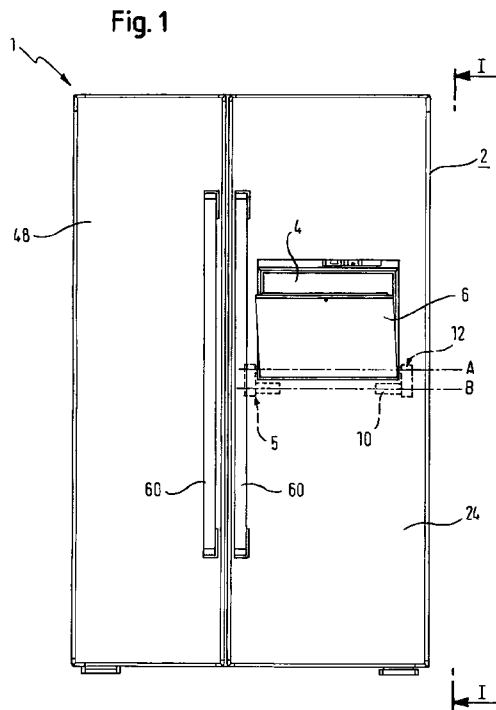
(74) Common Representative: **BSH BOSCH UND SIEMENS HAUSGERÄTE GMBH**; Carl-Wery-Straße 34, 81739 München (DE).

(81) Designated States (unless otherwise indicated, for every kind of national protection available): AE, AG, AL, AM, AO, AT, AU, AZ, BA, BB, BG, BH, BR, BW, BY, BZ, CA, CH, CN, CO, CR, CU, CZ, DE, DK, DM, DO, DZ, EC, EE, EG, ES, FI, GB, GD, GE, GH, GM, GT, HN, HR, HU, ID, IL, IN, IS, JP, KE, KG, KM, KN, KP, KR, KZ, LA, LC, LK, LR, LS, LT, LU, LY, MA, MD, ME, MG, MK, MN, MW, MX, MY, MZ, NA, NG, NI, NO, NZ, OM, PG, PH, PL, PT, RO, RS, RU, SC, SD, SE, SG, SK, SL, SM, ST, SV, SY, TJ, TM, TN, TR, TT, TZ, UA, UG, US, UZ, VC, VN, ZA, ZM, ZW.

(84) Designated States (unless otherwise indicated, for every kind of regional protection available): ARIPO (BW, GH, GM, KE, LS, MW, MZ, NA, SD, SL, SZ, TZ, UG, ZM, ZW), Eurasian (AM, AZ, BY, KG, KZ, MD, RU, TJ, TM), European (AT, BE, BG, CH, CY, CZ, DE, DK, EE, ES, FI, FR, GB, GR, HR, HU, IE, IS, IT, LT, LU, LV, MC, MK, MT, NL, NO, PL, PT, RO, SE, SI, SK, TR), OAPI (BF, BJ, CF, CG, CI, CM, GA, GN, GQ, GW, ML, MR, NE, SN, TD, TG).

[Continued on next page]

(54) Title: HOUSEHOLD APPLIANCE



(57) Abstract: The present invention relates to a household appliance, in particular a refrigerator (1). The household appliance includes a housing (2) having an opening (4), a door (6) rotatable about a first rotation axis (A) for selectively opening or closing the opening (4), and a braking system (5) for damping the rotation movement of the door (6) when the door (6) is opened or closed, wherein the braking system (5) includes a damper (10). According to the present invention, the braking system (5) includes a transmission unit (12) coupled between the door (6) and the damper (10) for being driven by the door (6) and transmitting the movement of the door (6) to the damper (10), whereby sharp downward rotation movements of the door (6) can be reliably prevented and meanwhile the flexibility of choosing and arranging the damper (10) can be significantly improved.

WO 2009/147039 A3



Published:

(88) Date of publication of the international search report:

15 July 2010

- *with international search report (Art. 21(3))*
- *before the expiration of the time limit for amending the claims and to be republished in the event of receipt of amendments (Rule 48.2(h))*

INTERNATIONAL SEARCH REPORT

International application No
PCT/EP2009/056447

A. CLASSIFICATION OF SUBJECT MATTER INV. F25D23/02 ADD.		
According to International Patent Classification (IPC) or to both national classification and IPC		
B. FIELDS SEARCHED		
Minimum documentation searched (classification system followed by classification symbols) F25D		
Documentation searched other than minimum documentation to the extent that such documents are included in the fields searched		
Electronic data base consulted during the international search (name of data base and, where practical, search terms used) EPO-Internal, WPI Data		
C. DOCUMENTS CONSIDERED TO BE RELEVANT		
Category*	Citation of document, with indication, where appropriate, of the relevant passages	Relevant to claim No.
X	US 2004/178710 A1 (KIM TAE YOUNG [KR] ET AL) 16 September 2004 (2004-09-16)	1-15, 19-29
Y	paragraph [0029] - paragraph [0039]; figures 2,3,5	16-18
Y	----- WO 2007/035049 A1 (LG ELECTRONICS INC [KR]; KIM UNG-SU [KR]; JO WON-IK [KR]) 29 March 2007 (2007-03-29) abstract; figures 2,14,15 page 4, line 28 - page 5, line 9 page 14, lines 4-11 -----	16-18
<input type="checkbox"/> Further documents are listed in the continuation of Box C. <input checked="" type="checkbox"/> See patent family annex.		
* Special categories of cited documents :		
"A" document defining the general state of the art which is not considered to be of particular relevance "E" earlier document but published on or after the international filing date "L" document which may throw doubts on priority claim(s) or which is cited to establish the publication date of another citation or other special reason (as specified) "O" document referring to an oral disclosure, use, exhibition or other means "P" document published prior to the international filing date but later than the priority date claimed	"T" later document published after the international filing date or priority date and not in conflict with the application but cited to understand the principle or theory underlying the invention "X" document of particular relevance; the claimed invention cannot be considered novel or cannot be considered to involve an inventive step when the document is taken alone "Y" document of particular relevance; the claimed invention cannot be considered to involve an inventive step when the document is combined with one or more other such documents, such combination being obvious to a person skilled in the art. "&" document member of the same patent family	
Date of the actual completion of the international search	Date of mailing of the international search report	
27 April 2010	17/05/2010	
Name and mailing address of the ISA/ European Patent Office, P.B. 5818 Patentlaan 2 NL - 2280 HV Rijswijk Tel. (+31-70) 340-2040, Fax: (+31-70) 340-3016	Authorized officer Salaün, Eric	

INTERNATIONAL SEARCH REPORT

Information on patent family members

International application No

PCT/EP2009/056447

Patent document cited in search report	Publication date	Patent family member(s)	Publication date
US 2004178710 A1	16-09-2004	KR 20040080070 A	18-09-2004
WO 2007035049 A1	29-03-2007	AU 2006292904 A1	29-03-2007
		EP 1946025 A1	23-07-2008
		US 2008252191 A1	16-10-2008