



US00D693337S

(12) **United States Design Patent**  
**Chen et al.**

(10) **Patent No.:** **US D693,337 S**

(45) **Date of Patent:** **\*\* Nov. 12, 2013**

(54) **COMPUTER WITH SLIDING KEYBOARD**  
(75) Inventors: **Li-Fang Chen**, Taipei (TW); **Shi-Kuan Chen**, Taipei (TW); **Hong-Tien Wang**, Taipei (TW); **Chih-Wen Chiang**, Taipei (TW); **Yung-Hsiang Chen**, Taipei (TW); **Ting-Wei Wu**, Taipei (TW); **Pei-Pin Huang**, Taipei (TW); **Chia-Lin Chan**, Taipei (TW); **Jun-Jie Chen**, Taipei (TW)

(73) Assignee: **Compal Electronics, Inc.**, Taipei (TW)

(\*\*) Term: **14 Years**

(21) Appl. No.: **29/423,746**

(22) Filed: **Jun. 5, 2012**

(51) **LOC (9) Cl.** ..... **14-02**

(52) **U.S. Cl.**  
USPC ..... **D14/315**

(58) **Field of Classification Search**  
USPC ..... D14/315-327, 331; D18/1, 2, 7, 11;  
235/145 A, 145 R; 341/22, 23; 345/104,  
345/156, 168, 169, 173; 361/679.06,  
361/679.08, 679.09, 679.11, 679.26,  
361/679.27; 379/433.12, 433.13

See application file for complete search history.

(56) **References Cited**

**U.S. PATENT DOCUMENTS**

D421,972 S \* 3/2000 Makidera et al. .... D14/316  
D528,541 S \* 9/2006 Maskatia ..... D14/315

7,158,634 B2 \* 1/2007 Eromaki ..... 379/433.13  
7,492,891 B2 \* 2/2009 Eldon ..... 379/433.12  
7,599,487 B2 \* 10/2009 Lim ..... 379/433.12  
7,690,576 B2 \* 4/2010 Ladouceur et al. .... 235/486  
D626,547 S \* 11/2010 Li et al. .... D14/316  
2005/0044665 A1 \* 3/2005 Kuramochi ..... 16/341  
2012/0037285 A1 \* 2/2012 Diebel et al. .... 150/165

\* cited by examiner

*Primary Examiner* — Freda S Nunn

(74) *Attorney, Agent, or Firm* — CKC & Partners Co., Ltd.

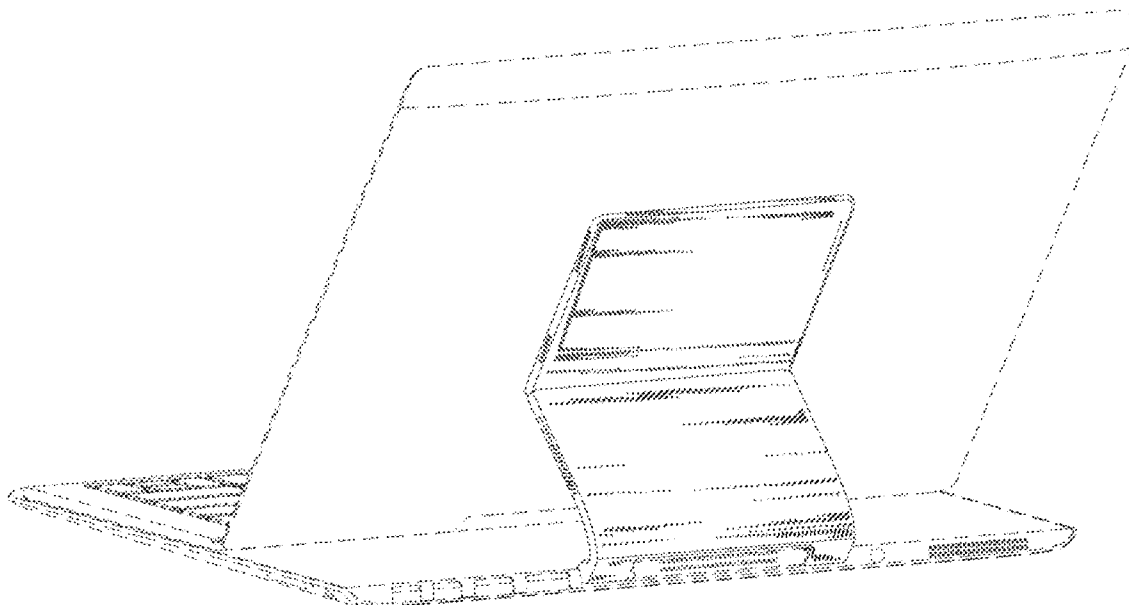
(57) **CLAIM**

The ornamental design for a computer with sliding keyboard, as shown and described.

**DESCRIPTION**

FIG. 1 is a perspective view of a computer with sliding keyboard showing our new design;  
FIG. 2 is a front view thereof;  
FIG. 3 is a rear view thereof;  
FIG. 4 is a left side view thereof;  
FIG. 5 is a right side view thereof;  
FIG. 6 is a top view thereof;  
FIG. 7 is a bottom view thereof; and,  
FIG. 8 is a perspective view thereof shown opened and in use. The broken lines shown represent unclaimed subject matter and form no part of the claimed design.

**1 Claim, 6 Drawing Sheets**



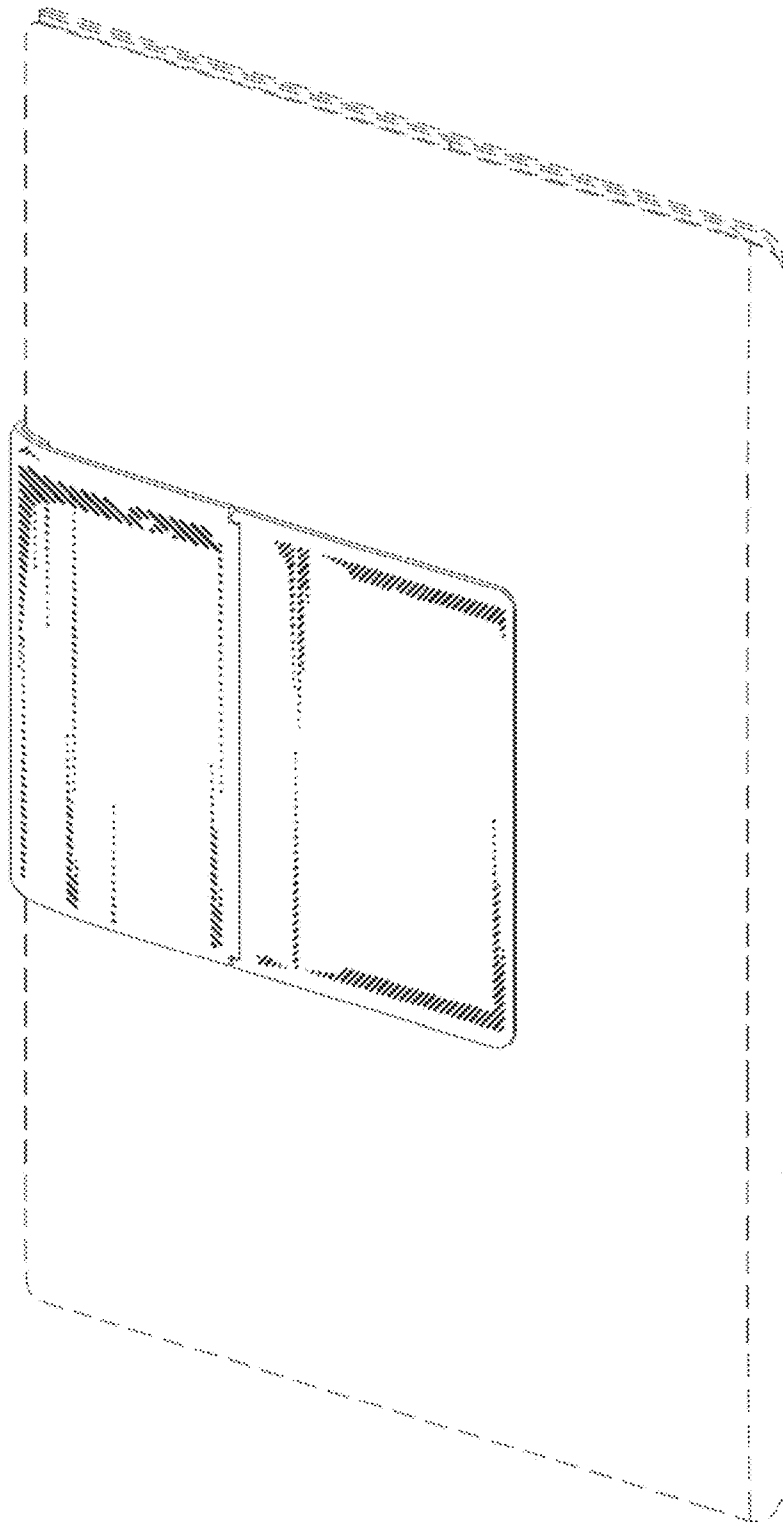


Fig. 1

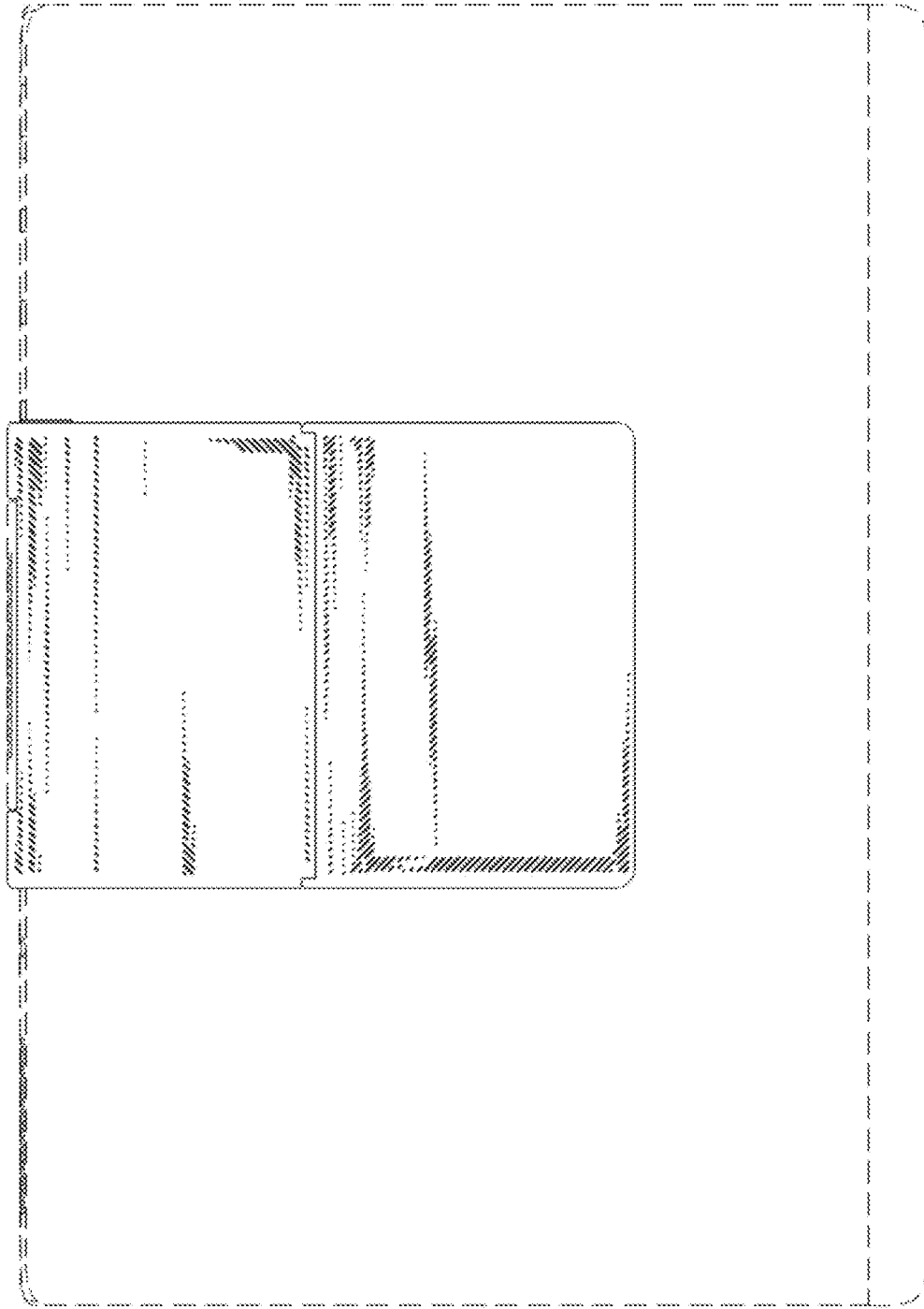


Fig. 2

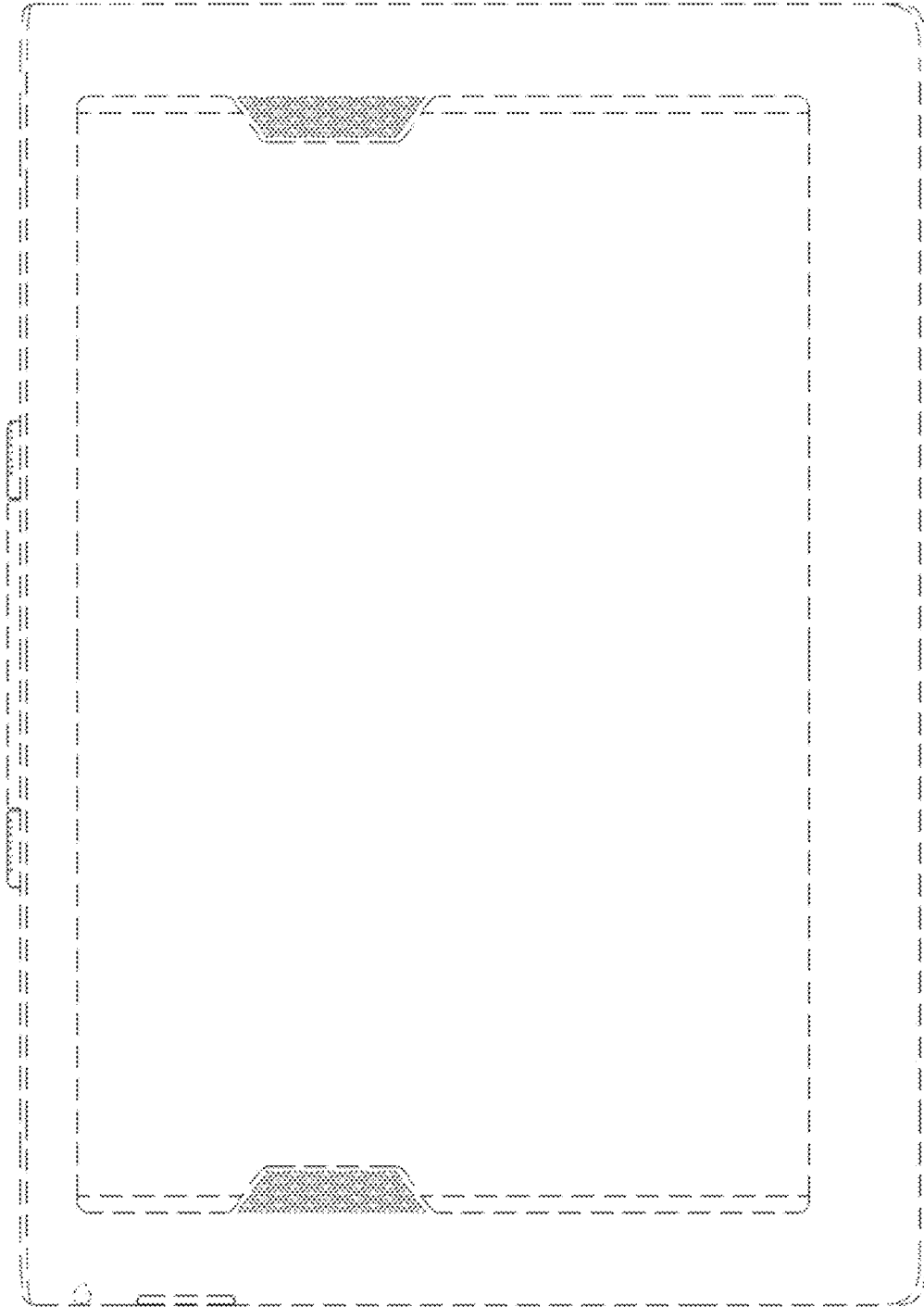


Fig. 3

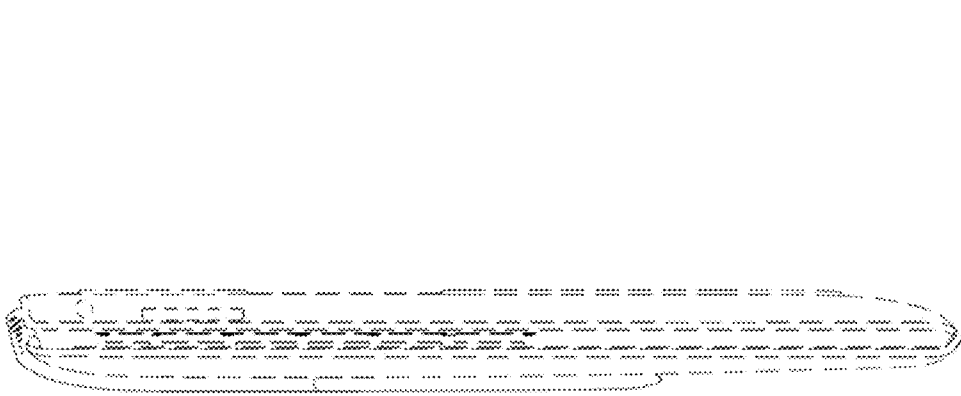


Fig. 5

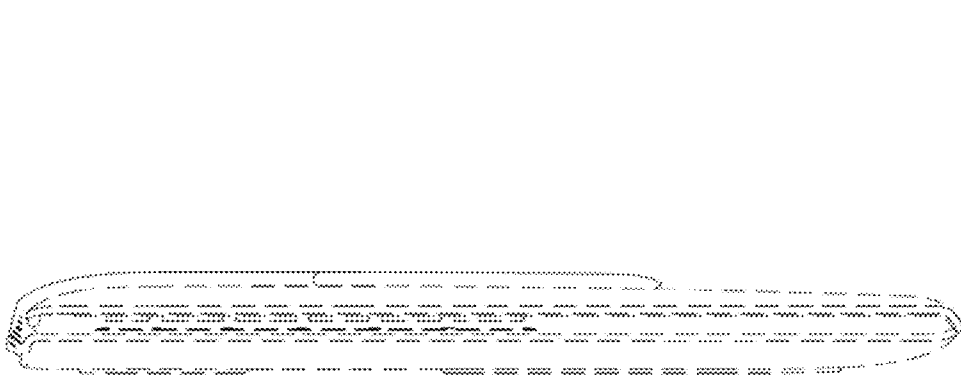


Fig. 4



Fig. 6

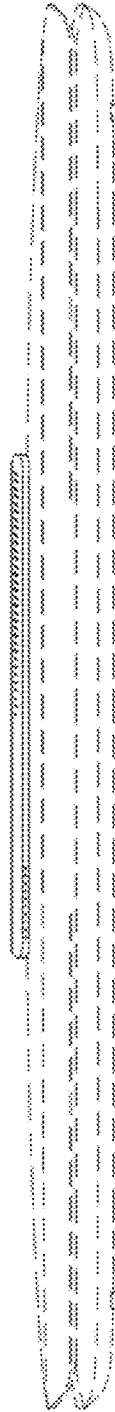


Fig. 7

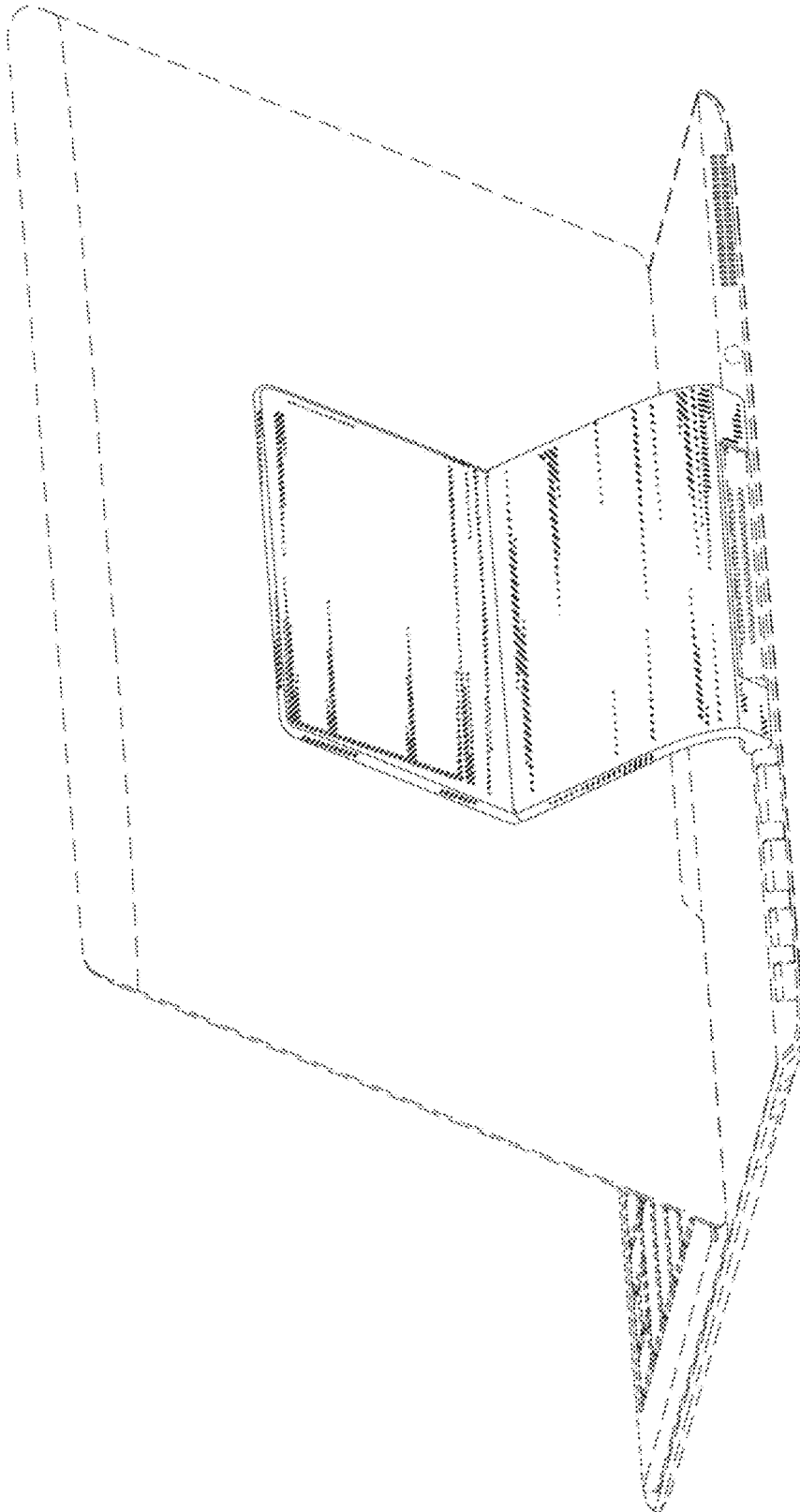


Fig. 8