



- (51) **International Patent Classification:**
H02P 27/06 (2006.01) *H02M 7/5387* (2007.01)
- (21) **International Application Number:**
PCT/GB20 12/05063 1
- (22) **International Filing Date:**
22 March 2012 (22.03.2012)
- (25) **Filing Language:** English
- (26) **Publication Language:** English
- (30) **Priority Data:**
1104815.4 22 March 2011 (22.03.2011) GB
- (71) **Applicant (for all designated States except US):**
TECHNELEC LTD [GB/GB]; Edison House, Station Approach, Oakham LE15 6QW (GB).
- (72) **Inventors; and**
- (75) **Inventors/Applicants (for US only):** **POLLOCK, Charles** [GB/GB]; Edison House, Station Approach, Oakham LE15 6QW (GB). **POLLOCK, Helen** [GB/GB]; Edison House, Station Approach, Oakham LE15 6QW (GB).
- (74) **Agent:** **TALBOT-PONSONBY, Daniel**; Marks & Clerk LLP, Fletcher House, Heatley Road, The Oxford Science Park, Oxford OX4 4GE (GB).
- (81) **Designated States (unless otherwise indicated, for every kind of national protection available):** AE, AG, AL, AM,

AO, AT, AU, AZ, BA, BB, BG, BH, BR, BW, BY, BZ, CA, CH, CL, CN, CO, CR, CU, CZ, DE, DK, DM, DO, DZ, EC, EE, EG, ES, FI, GB, GD, GE, GH, GM, GT, HN, HR, HU, ID, IL, IN, IS, JP, KE, KG, KM, KN, KP, KR, KZ, LA, LC, LK, LR, LS, LT, LU, LY, MA, MD, ME, MG, MK, MN, MW, MX, MY, MZ, NA, NG, NI, NO, NZ, OM, PE, PG, PH, PL, PT, QA, RO, RS, RU, RW, SC, SD, SE, SG, SK, SL, SM, ST, SV, SY, TH, TJ, TM, TN, TR, TT, TZ, UA, UG, US, UZ, VC, VN, ZA, ZM, ZW.

- (84) **Designated States (unless otherwise indicated, for every kind of regional protection available):** ARIPO (BW, GH, GM, KE, LR, LS, MW, MZ, NA, RW, SD, SL, SZ, TZ, UG, ZM, ZW), Eurasian (AM, AZ, BY, KG, KZ, MD, RU, TJ, TM), European (AL, AT, BE, BG, CH, CY, CZ, DE, DK, EE, ES, FI, FR, GB, GR, HR, HU, IE, IS, IT, LT, LU, LV, MC, MK, MT, NL, NO, PL, PT, RO, RS, SE, SI, SK, SM, TR), OAPI (BF, BJ, CF, CG, CI, CM, GA, GN, GQ, GW, ML, MR, NE, SN, TD, TG).

Published:

- with international search report (Art. 21(3))
- before the expiration of the time limit for amending the claims and to be republished in the event of receipt of amendments (Rule 48.2(h))

- (88) **Date of publication of the international search report:**
13 June 2013

(54) **Title:** A CONTROL SYSTEM FOR AN INVERTER AND A METHOD OF CONTROLLING AN INVERTER

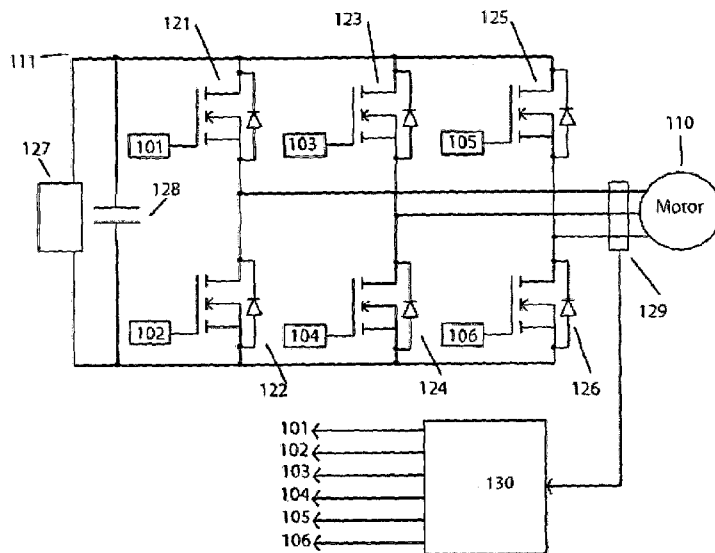
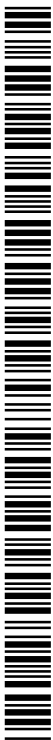


Figure 1

(57) **Abstract:** An inverter for the control of an electrical machine with p phase windings employs a control sequence for control of the inverter output voltage in which an inverter control block delivers a complete range of switching sequences determined by a single variable parameter, a, the variable parameter providing continuous variation of the fundamental component of the inverter output voltage from zero to a maximum value, the switching sequence for each inverter switching leg having an even integer number of switching transitions per electrical cycle, such that 2p points per electrical cycle exist where the state of the switching devices of the inverter are predetermined and independent of the single variable parameter, a.



INTERNATIONAL SEARCH REPORT

International application No
PCT/GB2012/050631

A. CLASSIFICATION OF SUBJECT MATTER
INV. H02P27/06 H02M7/5387
ADD.

According to International Patent Classification (IPC) or to both national classification and IPC

B. FIELDS SEARCHED

Minimum documentation searched (classification system followed by classification symbols)
H02P H02M

Documentation searched other than minimum documentation to the extent that such documents are included in the fields searched

Electronic data base consulted during the international search (name of data base and, where practicable, search terms used)

EPO-Internal , WPI Data

C. DOCUMENTS CONSIDERED TO BE RELEVANT

Category*	Citation of document, with indication, where appropriate, of the relevant passages	Relevant to claim No.
X	JP S57 132772 A (HITACHI LTD) 17 August 1982 (1982-08-17) abstract; figures 1,3,4, -----	1-15
X	EP 0 229 656 A2 (HITACHI LTD [JP]) 22 July 1987 (1987-07-22) page 2, paragraph 45-60; figures 1-6 page 3, line 50 - page 5, line 34 -----	1-15

Further documents are listed in the continuation of Box C. See patent family annex.

* Special categories of cited documents :

"A" document defining the general state of the art which is not considered to be of particular relevance	"T" later document published after the international filing date or priority date and not in conflict with the application but cited to understand the principle or theory underlying the invention
"E" earlier application or patent but published on or after the international filing date	"X" document of particular relevance; the claimed invention cannot be considered novel or cannot be considered to involve an inventive step when the document is taken alone
"L" document which may throw doubts on priority claim(s) or which is cited to establish the publication date of another citation or other special reason (as specified)	"Y" document of particular relevance; the claimed invention cannot be considered to involve an inventive step when the document is combined with one or more other such documents, such combination being obvious to a person skilled in the art
"O" document referring to an oral disclosure, use, exhibition or other means	"&" document member of the same patent family
"P" document published prior to the international filing date but later than the priority date claimed	

Date of the actual completion of the international search 15 April 2013	Date of mailing of the international search report 23/04/2013
--	--

Name and mailing address of the ISA/ European Patent Office, P.B. 5818 Patentlaan 2 NL - 2280 HV Rijswijk Tel. (+31-70) 340-2040, Fax: (+31-70) 340-3016	Authorized officer Gusi a, Sorin
--	---

INTERNATIONAL SEARCH REPORT

Information on patent family members

International application No PCT/GB2012/050631
--

Patent document cited in search report	Publication date	Patent family member(s)	Publication date
JP S57132772	A	17-08-1982	JP S6115673 B2 25-04- 1986
			JP S57132772 A 17-08- 1982

EP 0229656	A2	22-07-1987	AU 581797 B2 02-03- 1989
			AU 6748587 A 16-07- 1987
			CN 87100280 A 29-07- 1987
			DE 3779430 D1 09-07- 1992
			DE 3779430 T2 28-01- 1993
			EP 0229656 A2 22-07- 1987
			JP H0564036 B2 13-09- 1993
			JP S62163589 A 20-07- 1987
			US 4723201 A 02-02- 1988
