



US00D415962S

United States Patent [19]
García

[11] **Patent Number: Des. 415,962**

[45] **Date of Patent: ** Nov. 2, 1999**

[54] **CAP**

5,307,945 5/1994 Hidding et al. 215/305 X
5,553,727 9/1996 Molinaro .

[76] Inventor: **Jorge Alberto López García**, 25 De Mayo No. 153, Santa Catarina, Mexico, 66149

OTHER PUBLICATIONS

Sample of a closure marked LALA—Consumer Cap Corp, Pat. No. 5,553,727.

[**] Term: **14 Years**

Primary Examiner—Doris V. Coles
Assistant Examiner—Cathron B. Matta
Attorney, Agent, or Firm—Jacobson, Price, Holman & Stern, PLLC

[21] Appl. No.: **29/079,216**

[22] Filed: **Nov. 14, 1997**

[30] **Foreign Application Priority Data**

May 23, 1997 [MX] Mexico 970468

[57] **CLAIM**

The ornamental design for a cap, as shown and described.

[51] **LOC (6) Cl.** **09-07**

[52] **U.S. Cl.** **D9/453**

DESCRIPTION

[58] **Field of Search** D9/435, 442, 447,
D9/452, 453, 454; 215/200, 316, 328, 329,
355, 250, 252; 220/200, 288

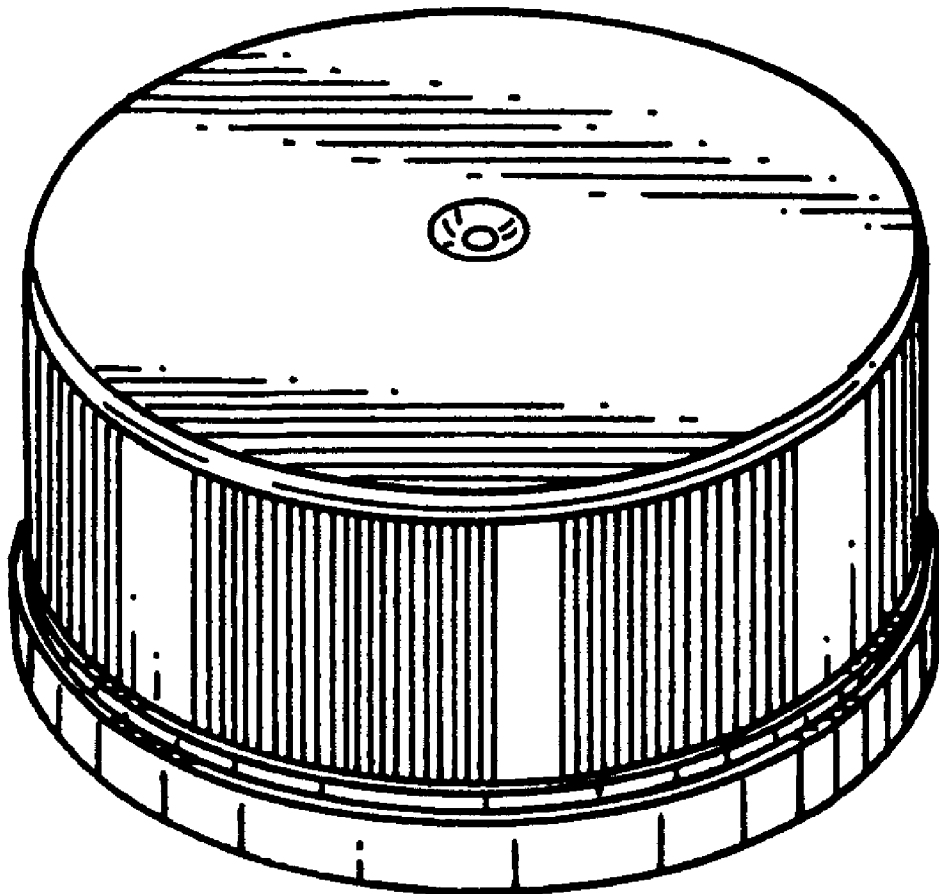
FIG. 1 is a perspective view showing my new design for a cap;
FIG. 2 is a side view thereof;
FIG. 3 is a cross-sectional view taken along line 3—3 of FIG. 5;
FIG. 4 is a bottom view thereof; and,
FIG. 5 is a top view thereof.

[56] **References Cited**

U.S. PATENT DOCUMENTS

D. 266,906 11/1982 Guerette D9/453
D. 310,781 9/1990 Scott, III D9/529 X
D. 359,682 6/1995 Miller D9/453

1 Claim, 2 Drawing Sheets



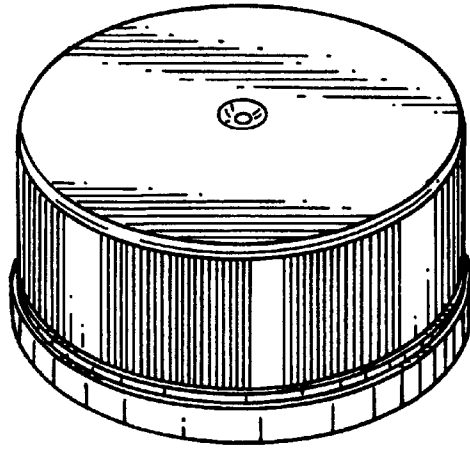


FIG. 1

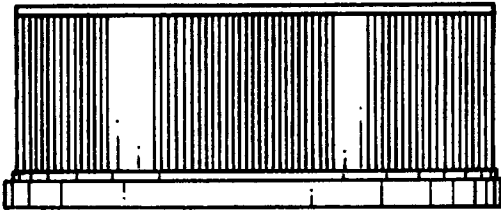
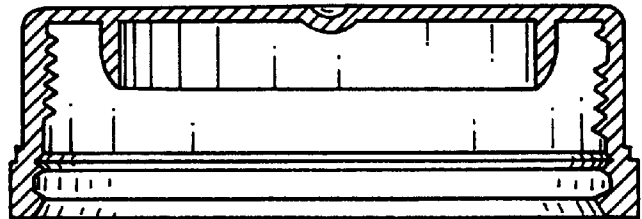


FIG. 2

FIG. 3



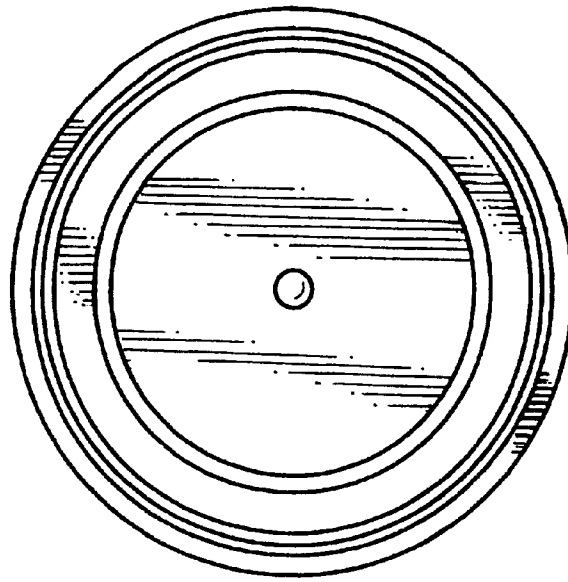


FIG. 4

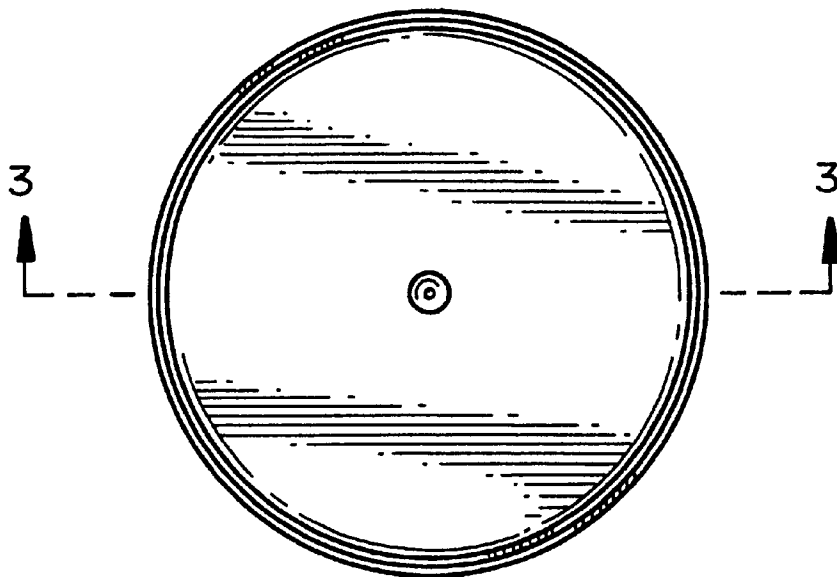


FIG. 5