



US00D919682S

(12) **United States Design Patent**  
**Longo**

(10) **Patent No.:** **US D919,682 S**

(45) **Date of Patent:** **\*\* May 18, 2021**

- (54) **PACKAGING MACHINE**
- (71) Applicant: **BOBST MEX SA**, Mex (CH)
- (72) Inventor: **Antonio Longo**, Prilly (CH)
- (73) Assignee: **BOBST MEX SA**, Mex (CH)
- (\*\*) Term: **15 Years**
- (21) Appl. No.: **29/691,188**
- (22) Filed: **May 14, 2019**
- (30) **Foreign Application Priority Data**

Nov. 15, 2018 (WO) ..... 9674301

(51) **LOC (13) Cl.** ..... **15-99**

(52) **U.S. Cl.**  
USPC ..... **D15/145**

(58) **Field of Classification Search**  
 USPC .... D15/122, 145-147, 199; D18/51, 53, 59,  
 D18/35.1, 99; D23/315; D24/159, 231,  
 D24/234; D25/16, 23, 36; D99/28;  
 D20/1, 4, 5, 8  
 CPC ..... B65B 53/06; B65B 59/00; B65B 59/001;  
 B65B 59/003; B65B 19/00; B65B 1/00;  
 B65B 65/003

See application file for complete search history.

(56) **References Cited**

**U.S. PATENT DOCUMENTS**

- D175,225 S \* 7/1955 Lane ..... D20/4
- D202,289 S \* 9/1965 Greenwald ..... D20/8
- D241,160 S \* 8/1976 Gurian et al. .... D15/122
- D241,652 S \* 9/1976 McCauley ..... D99/28

(Continued)

**OTHER PUBLICATIONS**

Bekum, 1-Packaging Machines, (site visited Oct. 5, 2020), Bekum Website, URL: <<https://www.bekum.com/en/blow-moulding-machines/1-packaging-machines/>> (Year: 2020).\*

(Continued)

*Primary Examiner* — Sheryl Lane  
*Assistant Examiner* — Mark T. Philipps  
 (74) *Attorney, Agent, or Firm* — Bookoff McAndrews, PLLC

(57) **CLAIM**

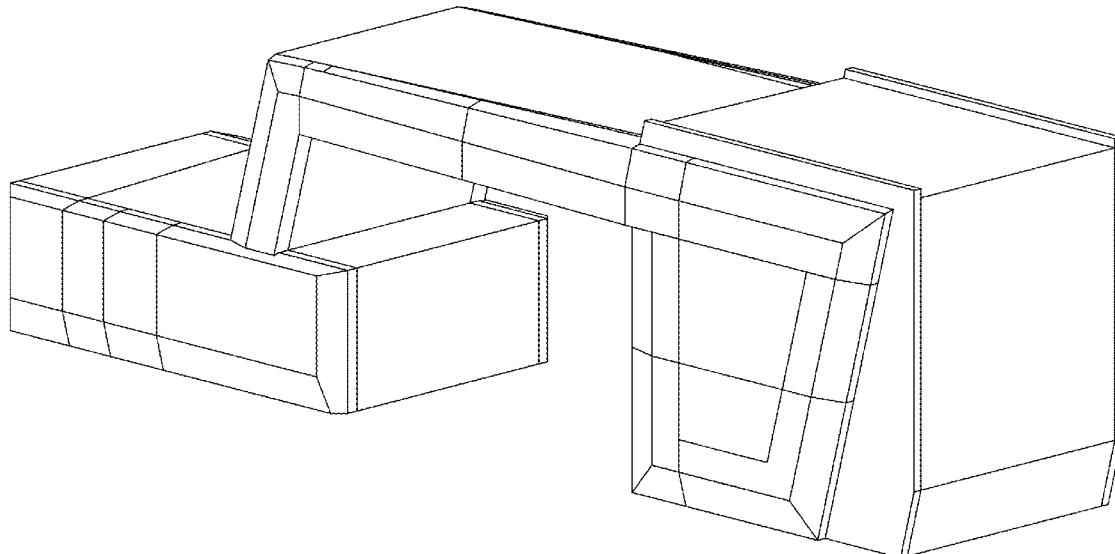
The ornamental design for a packaging machine, as shown and described.

**DESCRIPTION**

The patent or application file contains at least one drawing executed in color. Copies of this patent or patent application publication with color drawing(s) will be provided by the Office upon request and payment of the necessary fee.

FIG. 1 is a right perspective view of the packaging machine; FIG. 2 is a left perspective view thereof; FIG. 3 is a front view thereof; FIG. 4 is a back view thereof; FIG. 5 is a top view thereof; FIG. 6 is a bottom view thereof; FIG. 7 is a left side view thereof; and FIG. 8 is a right side view thereof. FIG. 9 is a right perspective view of the packaging machine of FIGS. 1-8 with certain features shown in red; FIG. 10 is a left perspective view thereof; FIG. 11 is a front view thereof; FIG. 12 is a back view thereof; FIG. 13 is a top view thereof; FIG. 14 is a bottom view thereof; FIG. 15 is a left side view thereof; and, FIG. 16 is a right side view thereof. In FIGS. 9-16, the claimed design is shown with, and includes, red coloring.

**1 Claim, 10 Drawing Sheets**  
**(5 of 10 Drawing Sheet(s) Filed in Color)**



(56)

References Cited

U.S. PATENT DOCUMENTS

4,316,347 A \* 2/1982 Smith ..... A01G 9/16  
47/17  
D301,890 S \* 6/1989 Silbersky ..... D15/145  
D304,134 S \* 10/1989 Griffiths ..... D6/640  
D305,133 S \* 12/1989 Gutknecht ..... D21/385  
D409,248 S \* 5/1999 Ogomori ..... D20/4  
D415,184 S \* 10/1999 Anai ..... D15/199  
D416,283 S \* 11/1999 Yamashita ..... D18/53  
D421,064 S \* 2/2000 Wittern, Jr. .... D20/8  
D455,456 S \* 4/2002 Angelbeck ..... D18/57  
D459,390 S \* 6/2002 Teodorescu ..... D18/53  
D477,366 S \* 7/2003 Tandberg ..... D20/8  
D489,077 S \* 4/2004 Bloch ..... D15/122  
D600,726 S \* 9/2009 Claassen ..... D15/199  
D608,822 S \* 1/2010 Wilke ..... D18/53  
D611,530 S \* 3/2010 Bundschuh ..... D18/53  
D616,019 S \* 5/2010 Kosciolek ..... D18/53  
D635,596 S \* 4/2011 Hiroshima ..... D15/122  
D648,380 S \* 11/2011 Clark, III ..... D18/53  
D663,596 S \* 7/2012 Kosciolek ..... D8/53  
D691,903 S \* 10/2013 Tong ..... D10/46  
D694,320 S \* 11/2013 Landa ..... D18/53  
D711,948 S \* 8/2014 Son ..... D15/199  
D716,351 S \* 10/2014 Kitamura ..... D15/122  
D736,840 S \* 8/2015 Kirkland ..... D15/122  
D753,734 S \* 4/2016 Hanschen ..... D15/122  
D753,741 S \* 4/2016 Lee ..... D15/145

D757,170 S \* 5/2016 Rafa ..... D18/53  
D759,133 S \* 6/2016 Kitamura ..... D15/122  
D759,738 S \* 6/2016 Schonherr ..... D15/122  
D799,592 S \* 10/2017 Longo ..... D18/53  
D810,163 S \* 2/2018 Longo ..... D15/145  
D811,450 S \* 2/2018 Hynek ..... D15/130  
D843,423 S \* 3/2019 Maringer ..... D15/122  
D860,271 S \* 9/2019 Hou ..... D15/122  
D870,203 S \* 12/2019 Grossmann ..... D18/53  
D873,876 S \* 1/2020 Bellante ..... D15/145  
D875,826 S \* 2/2020 Zanzotti ..... D18/53  
D883,385 S \* 5/2020 Sandahl Nas ..... D20/1  
D886,876 S \* 6/2020 Maringer ..... D15/122  
D896,310 S \* 9/2020 Dickson ..... D20/1  
2016/0016684 A1 \* 1/2016 Dugat ..... B23K 26/03  
53/492  
2020/0115085 A1 \* 4/2020 Beesley ..... B65B 53/063

OTHER PUBLICATIONS

Bobst, MasterStar product literature, (published Jun. 2020), Bobst S.A., URL:<[https://www.bobst.com/fileadmin/user\\_upload/Services/MASTERSTAR\\_BROCHURE\\_EN\\_2.pdf](https://www.bobst.com/fileadmin/user_upload/Services/MASTERSTAR_BROCHURE_EN_2.pdf)> (Year: 2020).\*  
Bobst, MasterStar 106PER product literature, (published Aug. 2019), Bobst S.A., URL:<<https://www.bobst.com/usen/products/die-cutting/flatbed-die-cutters/overview/machine/mastercut-106-per-1/>> (Year: 2019).\*

\* cited by examiner

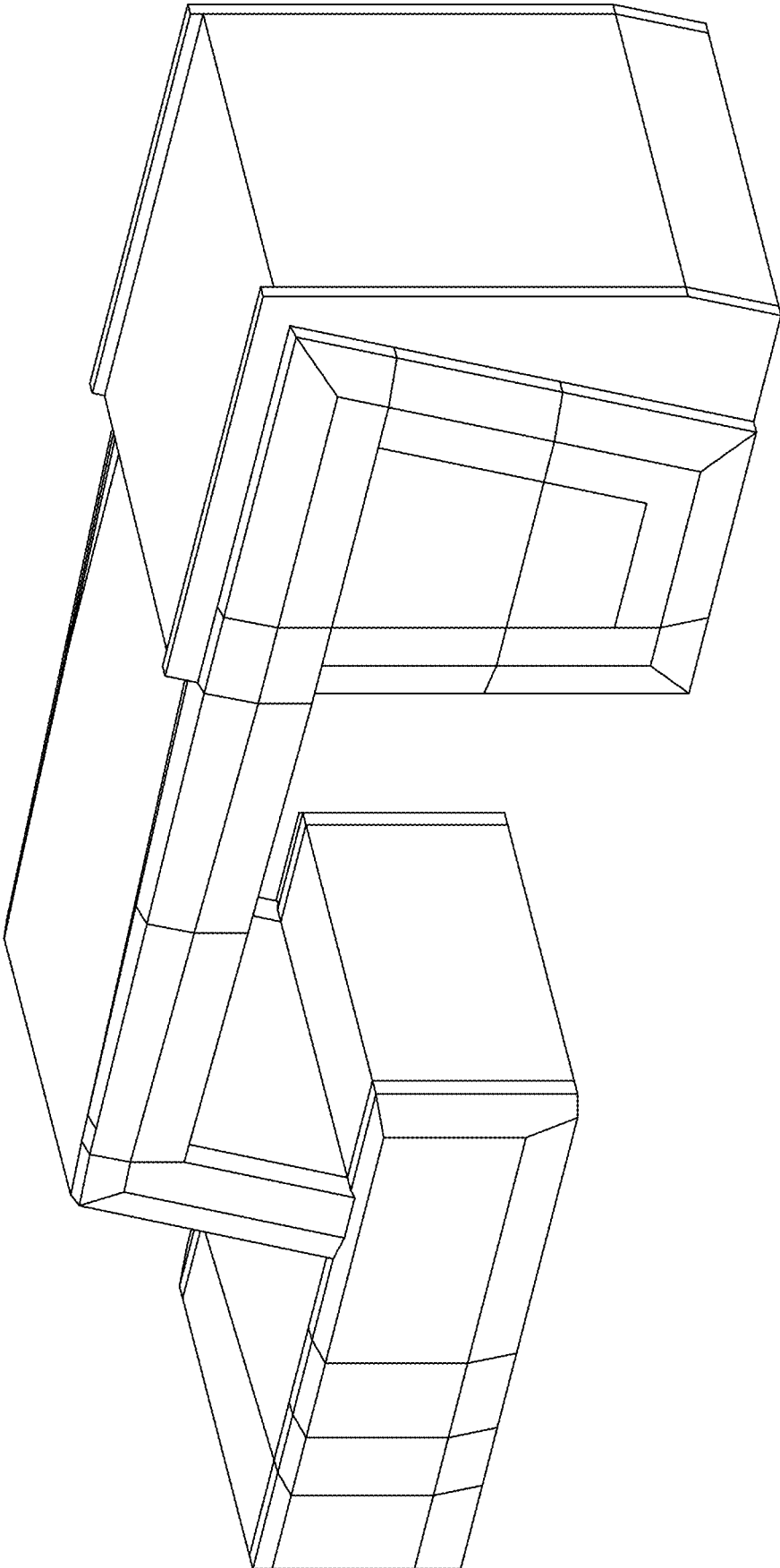


FIG. 1

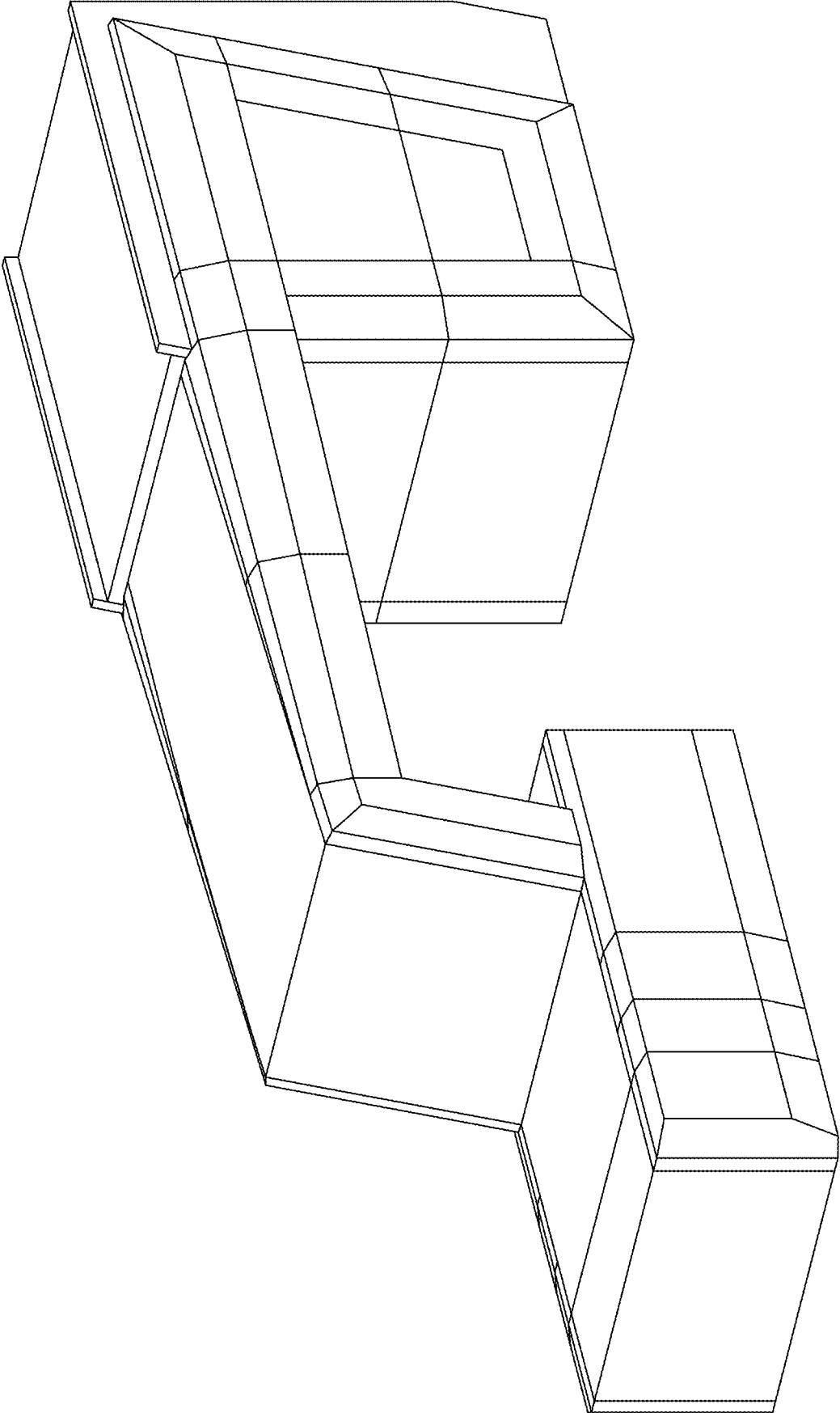


FIG. 2

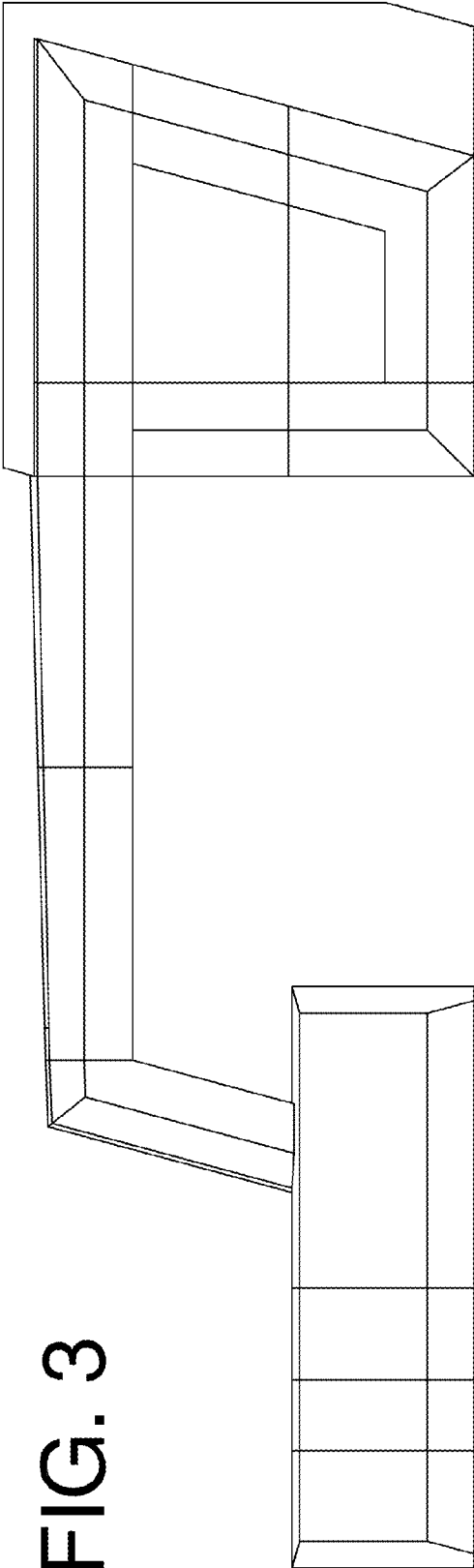


FIG. 3

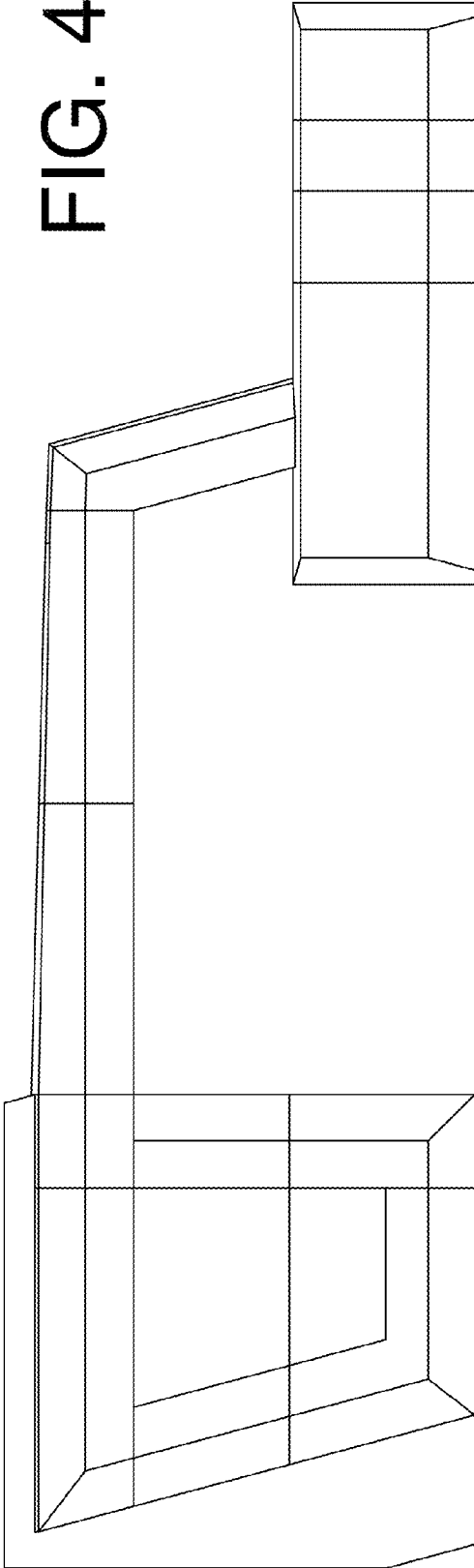


FIG. 4

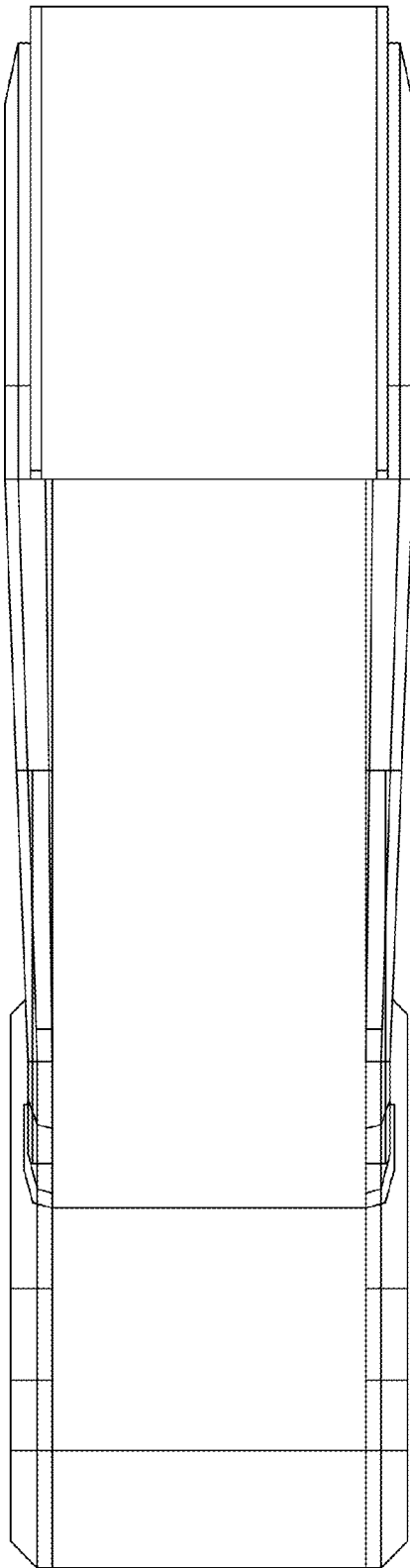


FIG. 5

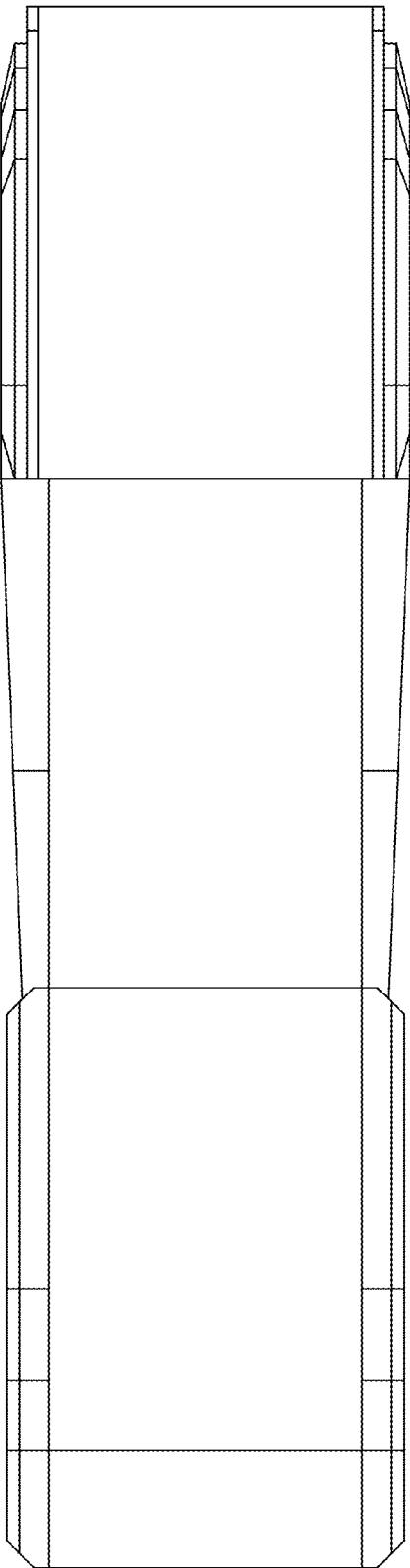


FIG. 6

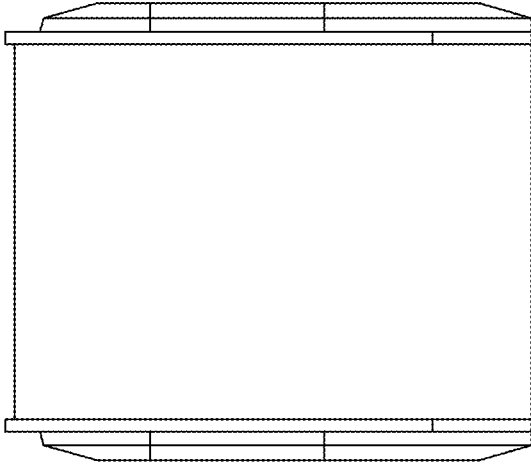


FIG. 8

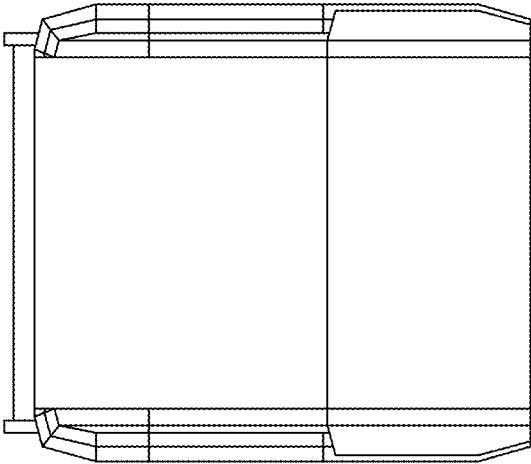


FIG. 7

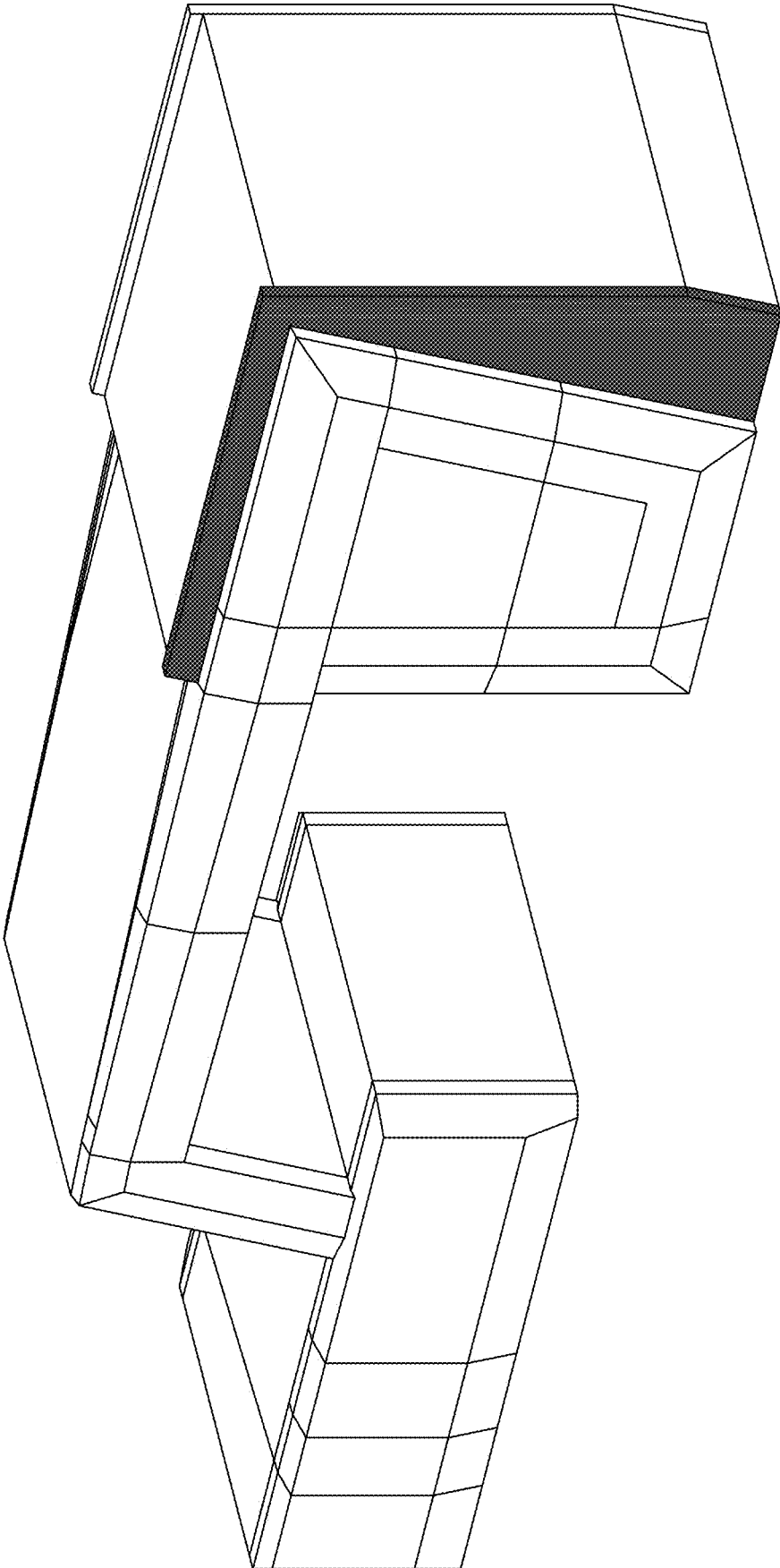


FIG. 9

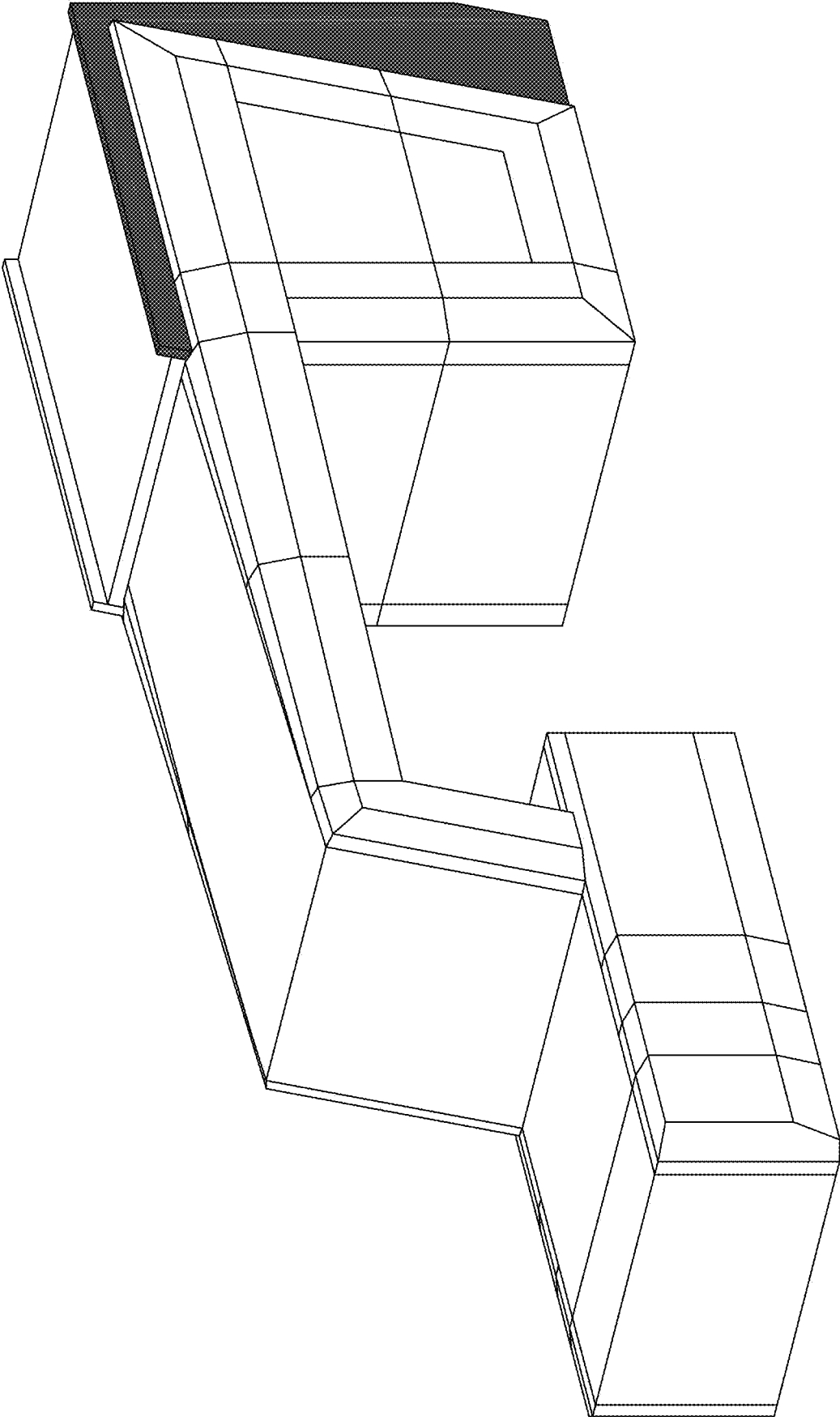


FIG. 10

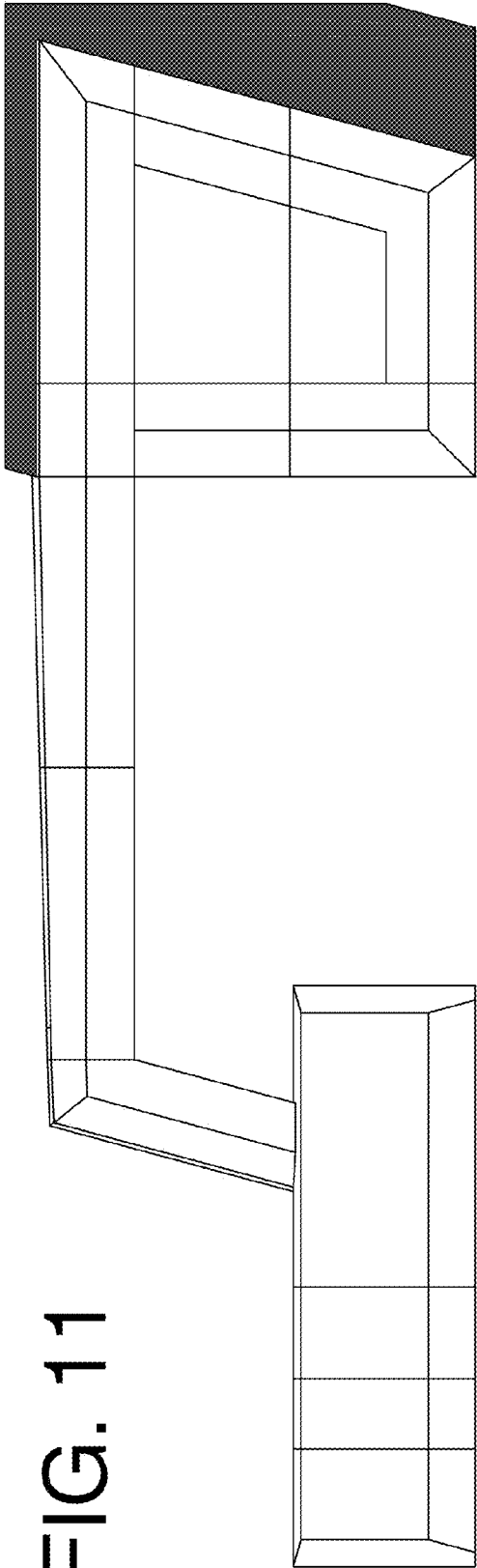


FIG. 11

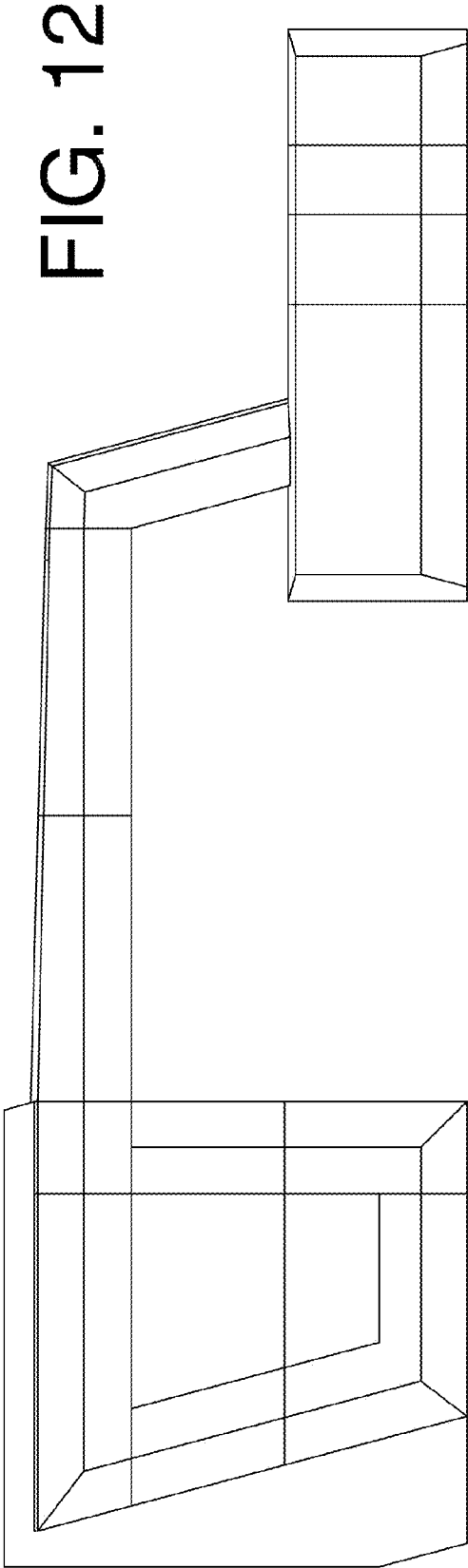


FIG. 12

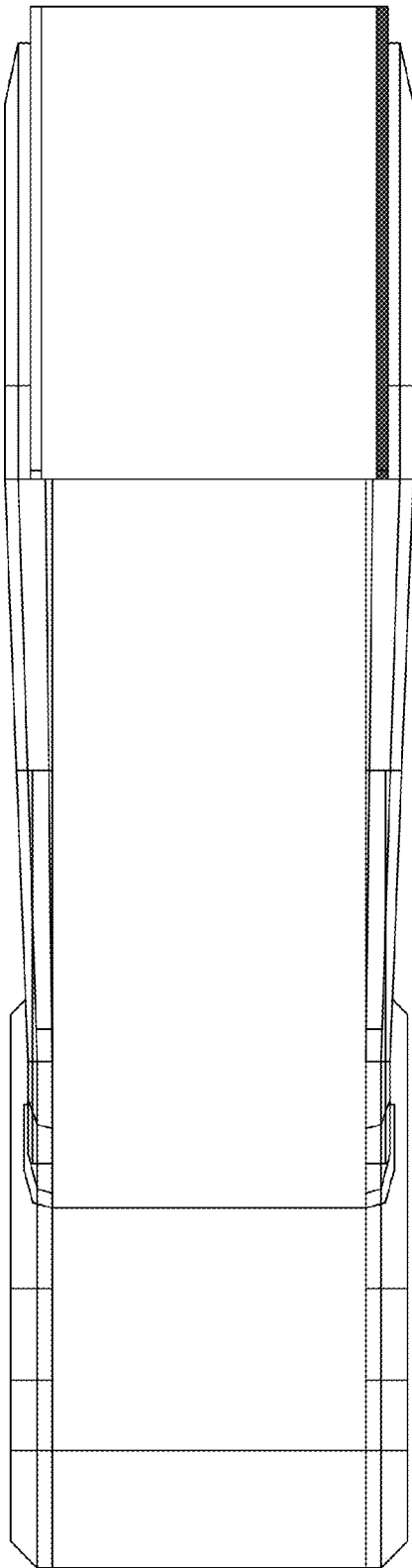


FIG. 13

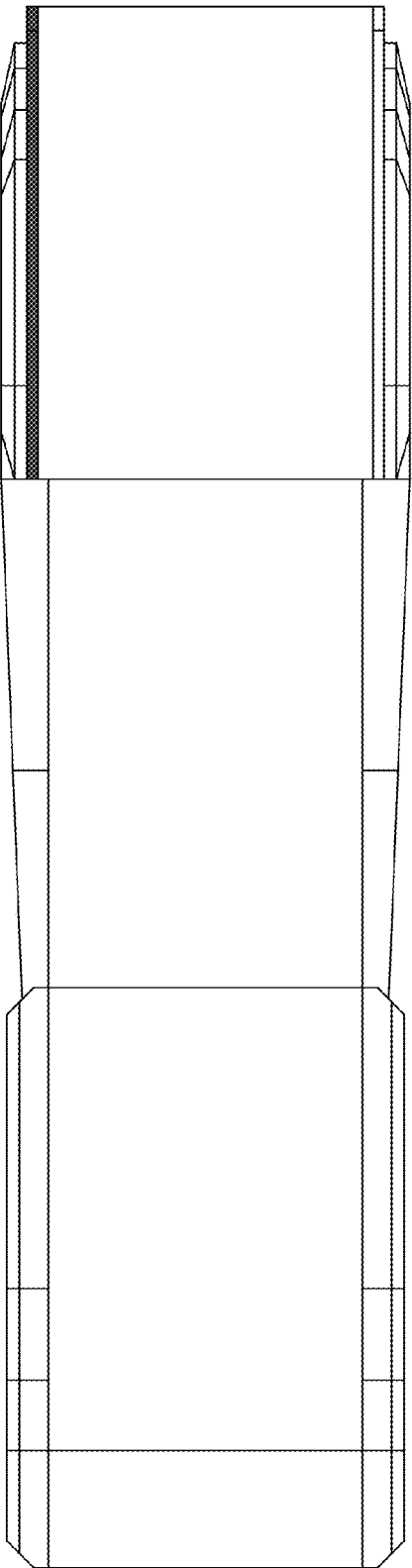


FIG. 14

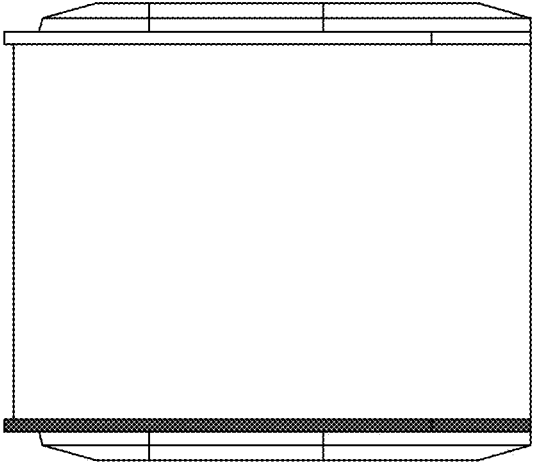


FIG. 16

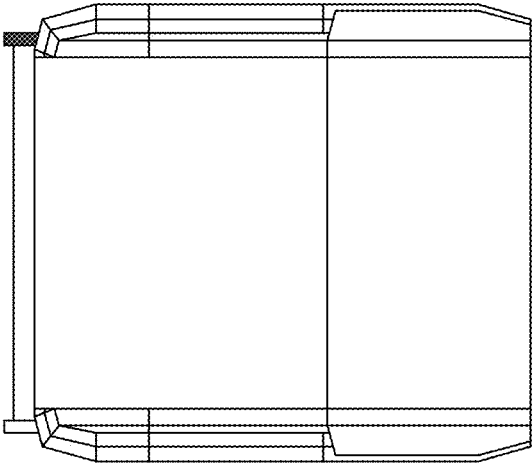


FIG. 15