



US00D548236S

(12) **United States Design Patent**
O'Neil et al.

(10) **Patent No.:** **US D548,236 S**

(45) **Date of Patent:** **** Aug. 7, 2007**

(54) **KEY CONFIGURATION FOR AN INPUT DEVICE**

(75) Inventors: **Daniel G. O'Neil**, Seattle, WA (US);
Young Soo Kim, Bellevue, WA (US);
Jacob Fleisher, Seattle, WA (US)

(73) Assignee: **Microsoft Corporation**, Redmond, WA (US)

(**) Term: **14 Years**

(21) Appl. No.: **29/233,837**

(22) Filed: **Jul. 11, 2005**

(51) **LOC (8) Cl.** **14-02**

(52) **U.S. Cl.** **D14/455**

(58) **Field of Classification Search** D14/137-8,
D14/217-218, 247, 320, 333, 338, 341, 346,
D14/383, 387, 390-2, 395-6, 398-9, 426,
D14/432, 454-456; D13/171, 174; D18/1,
D18/7, 12.2; 178/17 A, 17 C; 200/5 A;
341/22; 345/160, 168-9; 379/368, 433.07;
382/187; 400/472, 485-490, 493; 455/553.1,
455/575.1; 710/67

See application file for complete search history.

(56) **References Cited**

U.S. PATENT DOCUMENTS

D327,494 S * 6/1992 Takahata D18/7
5,237,327 A * 8/1993 Saitoh et al. 341/176
D365,104 S * 12/1995 Ko D14/218

D372,029 S * 7/1996 Young D14/218
D394,659 S * 5/1998 Biasotti et al. D14/218
D407,071 S * 3/1999 Keating D13/168
D473,550 S * 4/2003 Ribeiro et al. D14/247
D487,065 S * 2/2004 Murray D13/168
D489,718 S * 5/2004 Kataoka D14/346
D523,823 S * 6/2006 McLellan et al. D13/164

* cited by examiner

Primary Examiner—Alan P. Douglas

Assistant Examiner—Angela J. Lee

(74) *Attorney, Agent, or Firm*—Banner & Witcoff, Ltd.

(57) **CLAIM**

The ornamental design for a key configuration for an input device, as shown and described.

DESCRIPTION

FIG. 1 is a perspective view of a key configuration for an input device showing our new design;

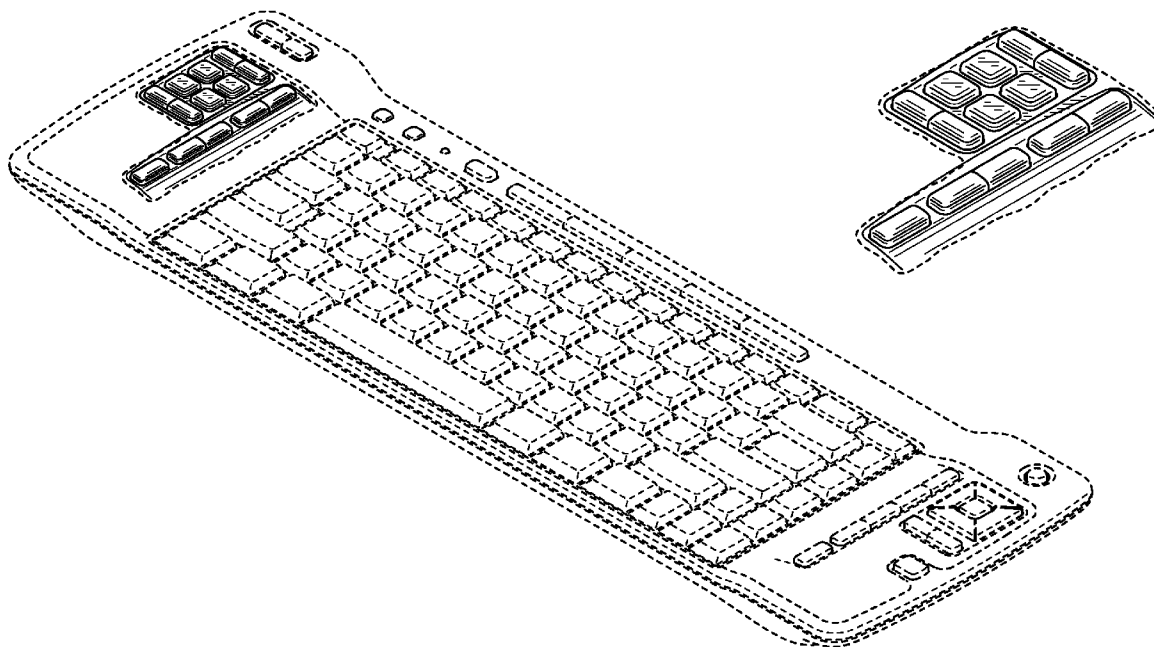
FIG. 2 is a top view thereof;

FIG. 3 is an enlarged perspective view of a predefined region of FIGS. 1 and 2 showing the claimed key configuration; and,

FIG. 4 is an enlarged top view thereof.

The broken line showing of the remainder of the input device is for illustrative purposes only and forms no part of the claimed design.

1 Claim, 3 Drawing Sheets



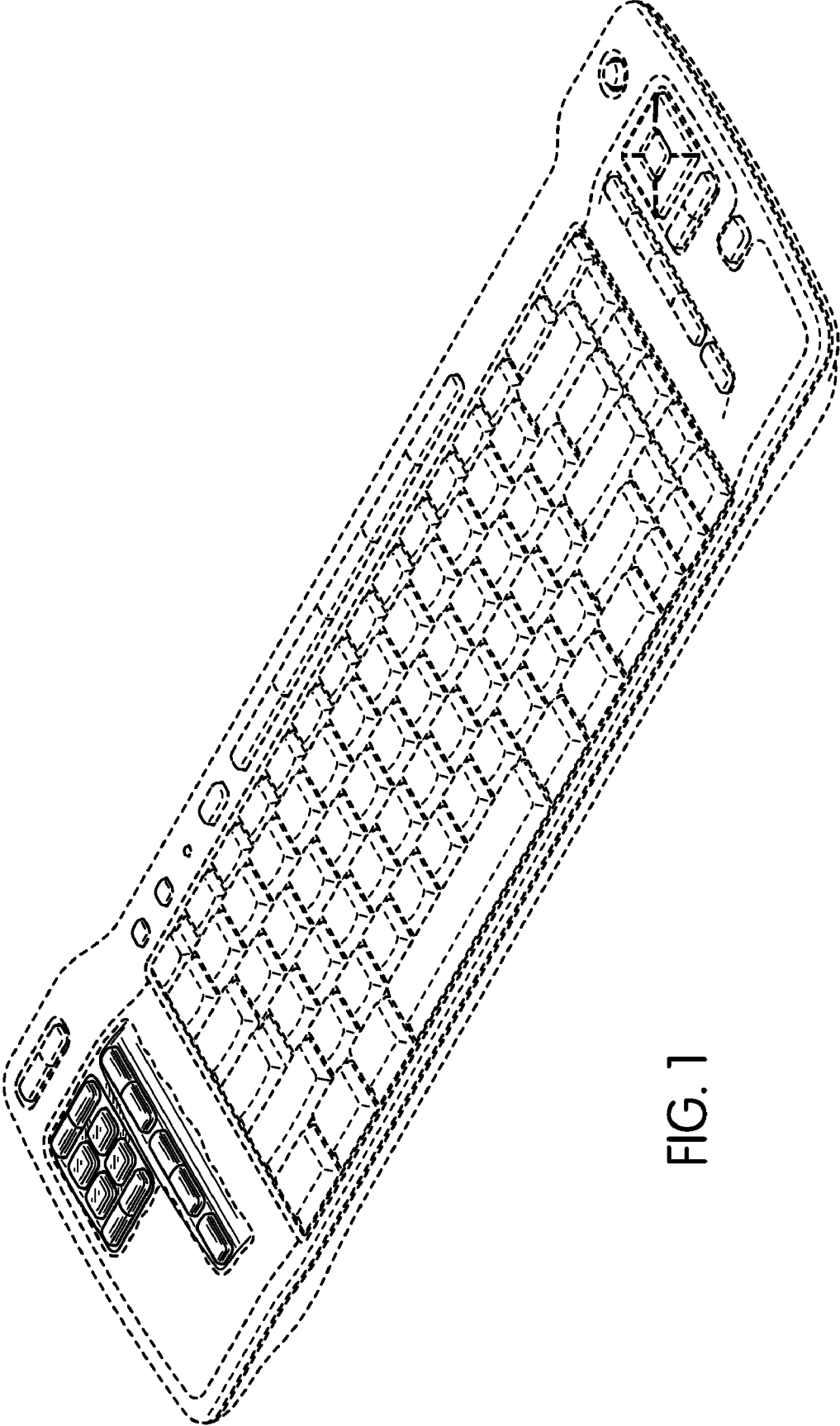


FIG. 1

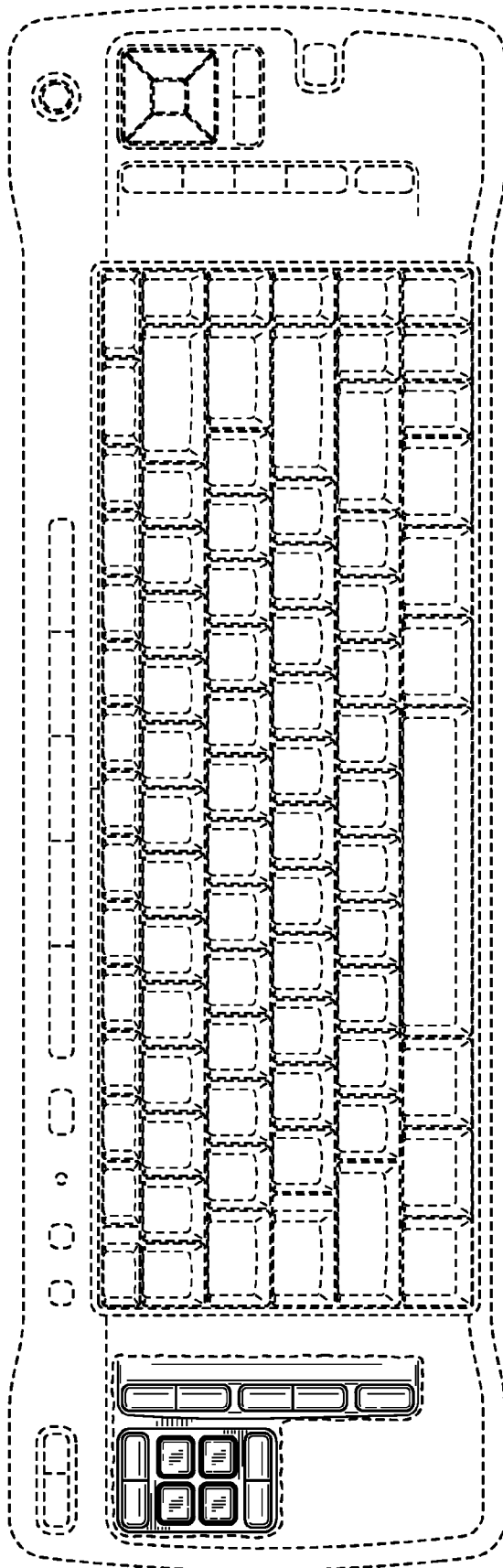


FIG. 2

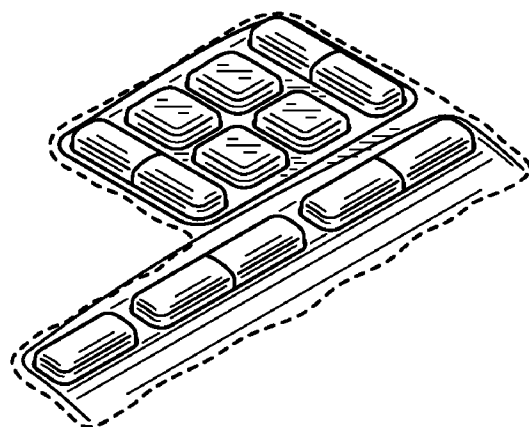


FIG. 3

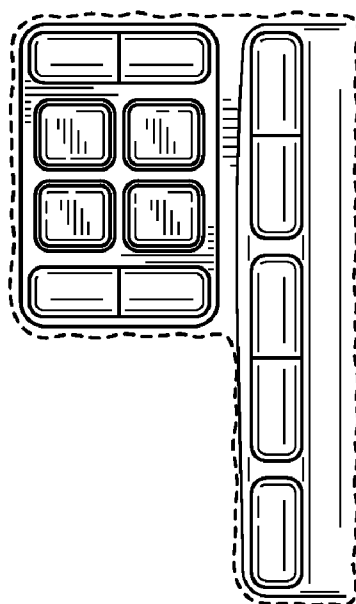


FIG. 4