

(19) World Intellectual Property Organization  
International Bureau



(43) International Publication Date  
13 July 2006 (13.07.2006)

PCT

(10) International Publication Number  
WO 2006/073520 A3

- (51) International Patent Classification:  
A61K 9/70 (2006.01) A61K 9/00 (2006.01)
- (21) International Application Number:  
PCT/US2005/033390
- (22) International Filing Date:  
19 September 2005 (19.09.2005)
- (25) Filing Language: English
- (26) Publication Language: English
- (30) Priority Data:  
10/945,658 21 September 2004 (21.09.2004) US

GB, GD, GE, GH, GM, HR, HU, ID, IL, IN, IS, JP, KE, KG, KM, KP, KR, KZ, LC, LK, LR, LS, LT, LU, LV, LY, MA, MD, MG, MK, MN, MW, MX, MZ, NA, NG, NI, NO, NZ, OM, PG, PH, PL, PT, RO, RU, SC, SD, SE, SG, SK, SL, SM, SY, TJ, TM, TN, TR, TT, TZ, UA, UG, US, UZ, VC, VN, YU, ZA, ZM, ZW.

- (71) Applicant and  
(72) Inventor: PUTMAN, Roger, Timothy [US/US]; 300  
Clarence Street, Collinsville, IL 62234-1013 (US).

- (74) Common Representative: PUTMAN, Roger, Timothy;  
300 Clarence Street, Collinsville, IL 62234-1013 (US).

- (81) Designated States (unless otherwise indicated, for every  
kind of national protection available): AE, AG, AL, AM,  
AT, AU, AZ, BA, BB, BG, BR, BW, BY, BZ, CA, CH, CN,  
CO, CR, CU, CZ, DE, DK, DM, DZ, EC, EE, EG, ES, FI,

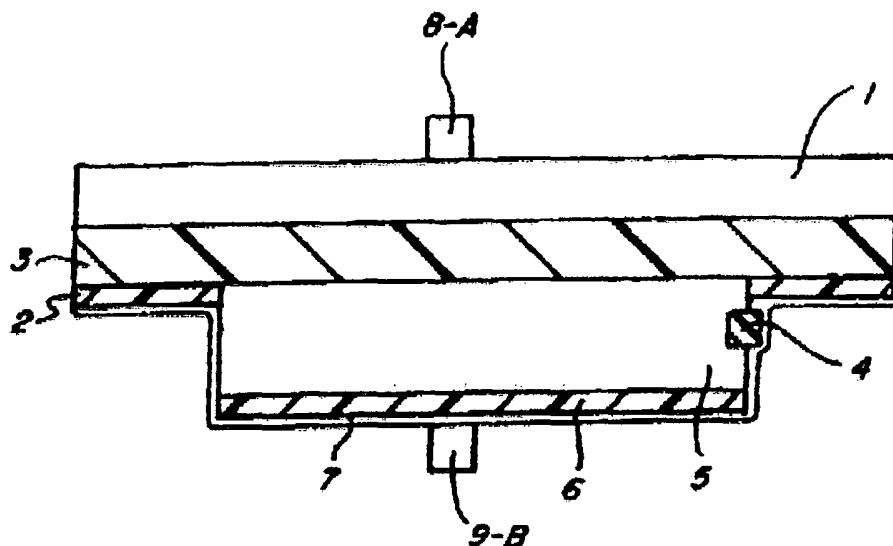
- (84) Designated States (unless otherwise indicated, for every  
kind of regional protection available): ARIPO (BW, GH,  
GM, KE, LS, MW, MZ, NA, SD, SL, SZ, TZ, UG, ZM,  
ZW), Eurasian (AM, AZ, BY, KG, KZ, MD, RU, TJ, TM),  
European (AT, BE, BG, CH, CY, CZ, DE, DK, EE, ES, FI,  
FR, GB, GR, HU, IE, IS, IT, LT, LU, LV, MC, NL, PL, PT,  
RO, SE, SI, SK, TR), OAPI (BF, BJ, CF, CG, CI, CM, GA,  
GN, GQ, GW, ML, MR, NE, SN, TD, TG).

Published:  
— with international search report  
— before the expiration of the time limit for amending the  
claims and to be republished in the event of receipt of  
amendments

(88) Date of publication of the international search report:  
14 September 2006

For two-letter codes and other abbreviations, refer to the "Guidance Notes on Codes and Abbreviations" appearing at the beginning of each regular issue of the PCT Gazette.

(54) Title: DUAL ACTIVATING TDD



(57) Abstract: Preferred embodiment Fig. 1, comprises a novel transdermal delivery device for insuring longer shelf life of unstable drugs comprising a patch for disbursement of therapeutic drugs to the skin of a user; said patch comprising an inbuilt injection port in which the user injects the diluent and/or active ingredient(s) into the drug reservoir to activate said drug delivery device, wherein the device comprises various permeability rate-controlling membranes to accommodate a specific drug being introduced to the device, wherein upon removing the protective outer layer, of the preferred embodiment Fig.1. the device is ready to be placed on the skin by the patient. Additional embodiment replaces the injection port with a separate sealed diluent pouch reservoir.

WO 2006/073520 A3

**INTERNATIONAL SEARCH REPORT**

International application No.

PCT/US05/33390

**A. CLASSIFICATION OF SUBJECT MATTER**  
 IPC: A61K 9/70( 2006.01),9/00( 2006.01)  
  
 USPC: 424/443,447,449  
 According to International Patent Classification (IPC) or to both national classification and IPC

**B. FIELDS SEARCHED**

Minimum documentation searched (classification system followed by classification symbols)  
 U.S. : 424/443, 447, 449

Documentation searched other than minimum documentation to the extent that such documents are included in the fields searched

Electronic data base consulted during the international search (name of data base and, where practicable, search terms used)  
 EAST/BRS

**C. DOCUMENTS CONSIDERED TO BE RELEVANT**

Category *	Citation of document, with indication, where appropriate, of the relevant passages	Relevant to claim No.
X	US 5,827,530 A (REED et al) 27 October 1998 (27.10.1998), the entire document	1, 3
A		2, 4-10
A	US 5,997,501 A (GROSS et al) 07 December 1999 (07.12.1999), the entire document	1-10

Further documents are listed in the continuation of Box C.  See patent family annex.

* Special categories of cited documents:	"T" later document published after the international filing date or priority date and not in conflict with the application but cited to understand the principle or theory underlying the invention
"A" document defining the general state of the art which is not considered to be of particular relevance	"X" document of particular relevance; the claimed invention cannot be considered novel or cannot be considered to involve an inventive step when the document is taken alone
"E" earlier application or patent published on or after the international filing date	"Y" document of particular relevance; the claimed invention cannot be considered to involve an inventive step when the document is combined with one or more other such documents, such combination being obvious to a person skilled in the art
"L" document which may throw doubts on priority claim(s) or which is cited to establish the publication date of another citation or other special reason (as specified)	"&" document member of the same patent family
"O" document referring to an oral disclosure, use, exhibition or other means	
"P" document published prior to the international filing date but later than the priority date claimed	

Date of the actual completion of the international search: 12 June 2006 (12.06.2006)  
 Date of mailing of the international search report: 11 JUL 2006

Name and mailing address of the ISA/US: Mail Stop PCT, Attn: ISA/US, Commissioner for Patents, P.O. Box 1450, Alexandria, Virginia 22313-1450, Facsimile No. (571) 273-3201  
 Authorized officer: Simon J. Oh, Telephone No. (571) 272-1600