



US00D603871S

(12) **United States Design Patent**  
**Steinfels et al.**

(10) **Patent No.:** **US D603,871 S**

(45) **Date of Patent:** **\*\* Nov. 10, 2009**

(54) **WHEELED PORTABLE AIR COMPRESSOR**

(75) Inventors: **Craig R. Steinfels**, Jackson, TN (US);  
**Daniel U. Goodwin**, Lexington, TN (US)

(73) Assignee: **Black & Decker Inc.**, Newark, DE (US)

(\*\*) Term: **14 Years**

(21) Appl. No.: **29/327,619**

(22) Filed: **Nov. 10, 2008**

(51) **LOC (9) Cl.** ..... **15-02**

(52) **U.S. Cl.** ..... **D15/7**

(58) **Field of Classification Search** ..... D15/7-9;  
D23/231, 232, 225; 417/410.1, 359, 415-416,  
417/234, 321, 265, 405

See application file for complete search history.

(56) **References Cited**

**U.S. PATENT DOCUMENTS**

D223,039 S	2/1972	Widmer	
D460,763 S	7/2002	Buck	
D461,196 S	8/2002	Buck	
D482,371 S *	11/2003	Buck	D15/9
D487,096 S	2/2004	Buck	
D487,097 S	2/2004	Buck	
D491,197 S	6/2004	Stilwell et al.	
D493,179 S	7/2004	Buck	
D499,120 S	11/2004	Buck	
D499,430 S	12/2004	Buck	
D499,747 S	12/2004	Buck	
D512,075 S	11/2005	Buck	
D531,191 S	10/2006	Smith et al.	
D531,644 S	11/2006	Smith et al.	

D537,840 S	3/2007	Smith et al.	
D537,841 S	3/2007	Smith et al.	
D541,306 S	4/2007	Welsh et al.	
D553,647 S *	10/2007	Steinfels et al.	D15/9
D555,173 S *	11/2007	Smith et al.	D15/9
D559,272 S	1/2008	Buck et al.	
D574,020 S *	7/2008	Buck et al.	D15/9
D575,309 S *	8/2008	Steinfels et al.	D15/9

**OTHER PUBLICATIONS**

Porter Cable—Job Boss (TM) 4.5 Gallon 150 PSI Portable Air Compressor Model No. C3551 <http://www.porter-cable.com/index.asp?e=4434&t=t&p=4797>.

\* cited by examiner

*Primary Examiner*—R. Seifert

(74) *Attorney, Agent, or Firm*—Rhonda L. Barton; Michael P. Leary; Adan Ayala

(57) **CLAIM**

The ornamental design for a wheeled portable air compressor, as shown and described.

**DESCRIPTION**

FIG. 1 is a top/front perspective view of a wheeled portable air compressor showing our new design.

FIG. 2 is a front view thereof.

FIG. 3 is a rear view thereof.

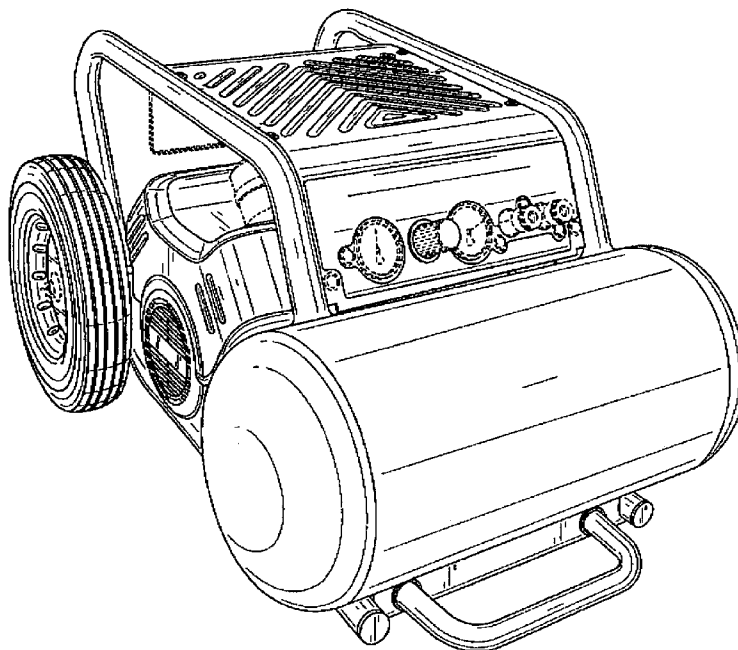
FIG. 4 is a left side view thereof.

FIG. 5 is a right side view thereof.

FIG. 6 is a top view thereof; and,

FIG. 7 is a bottom view thereof.

**1 Claim, 7 Drawing Sheets**



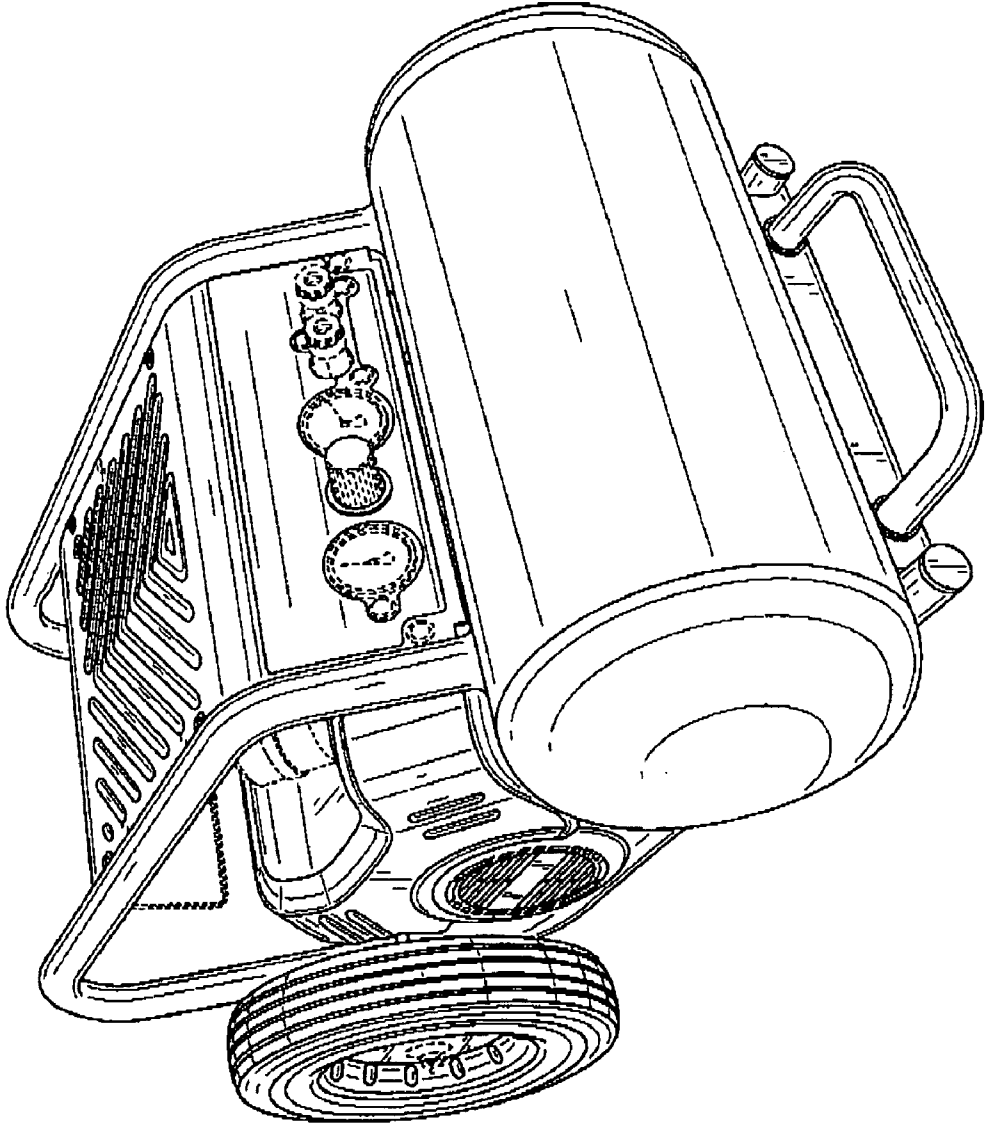


FIG. 1

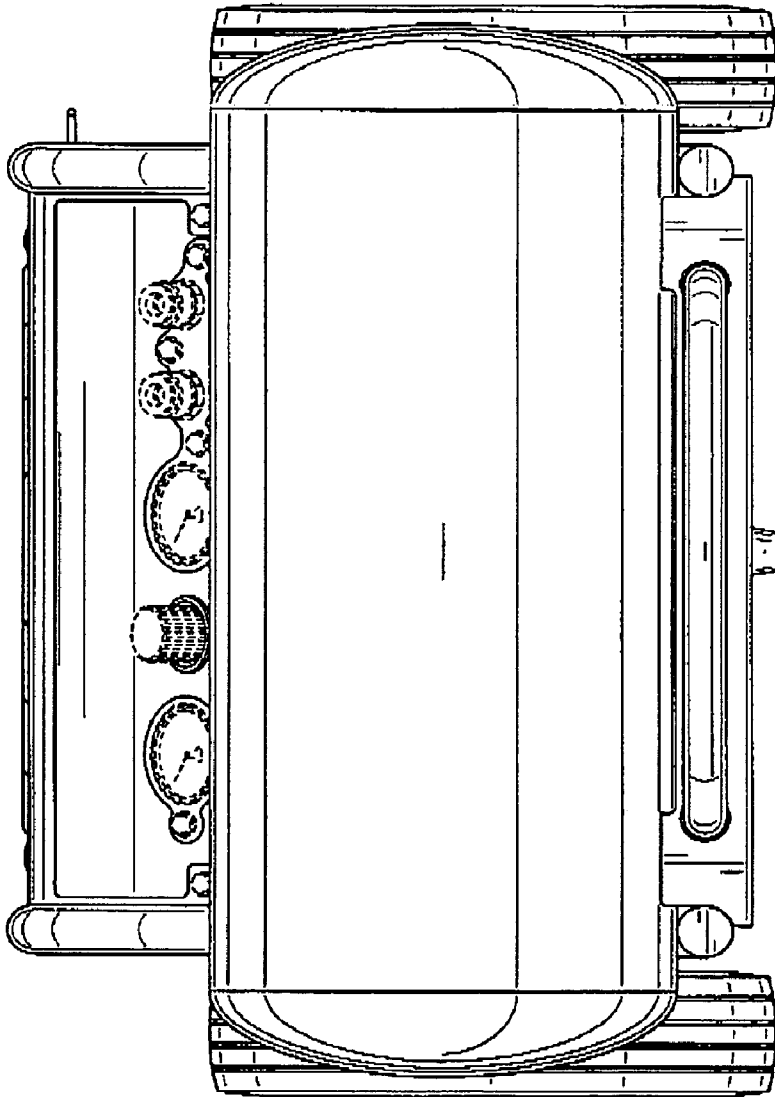


FIG. 2

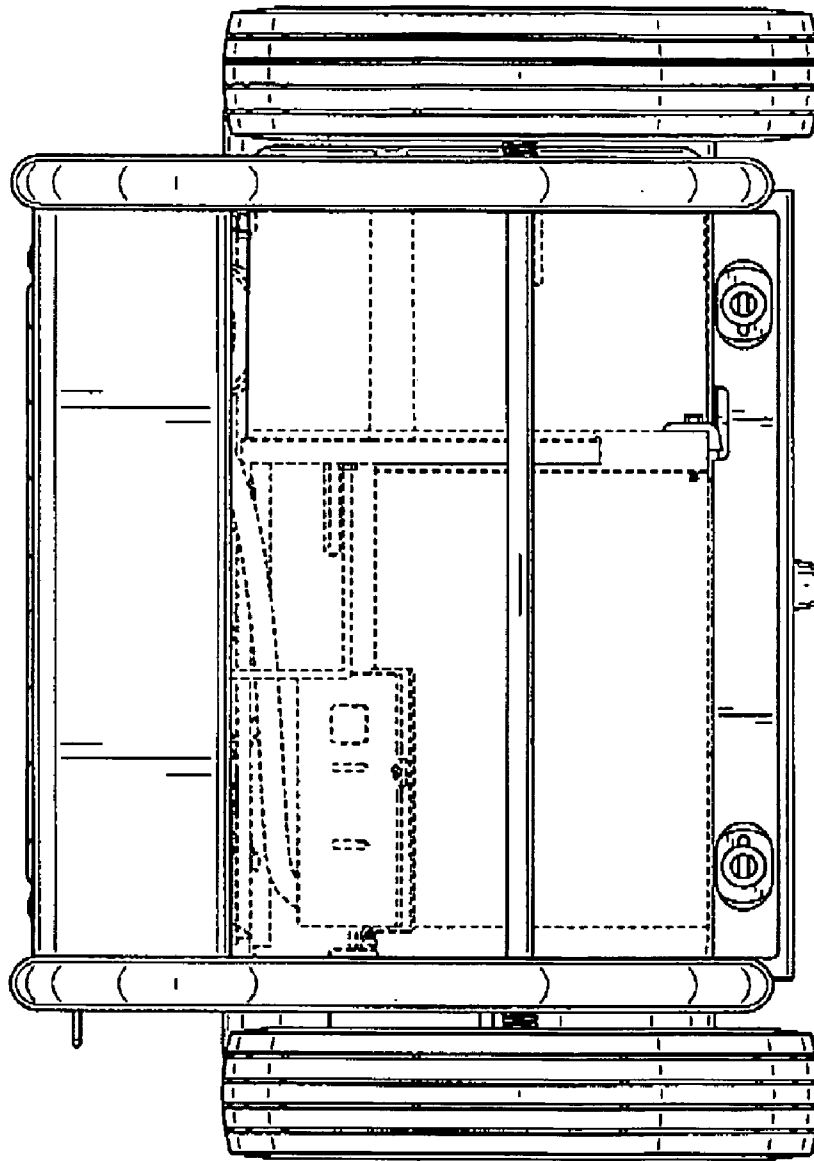


FIG. 3

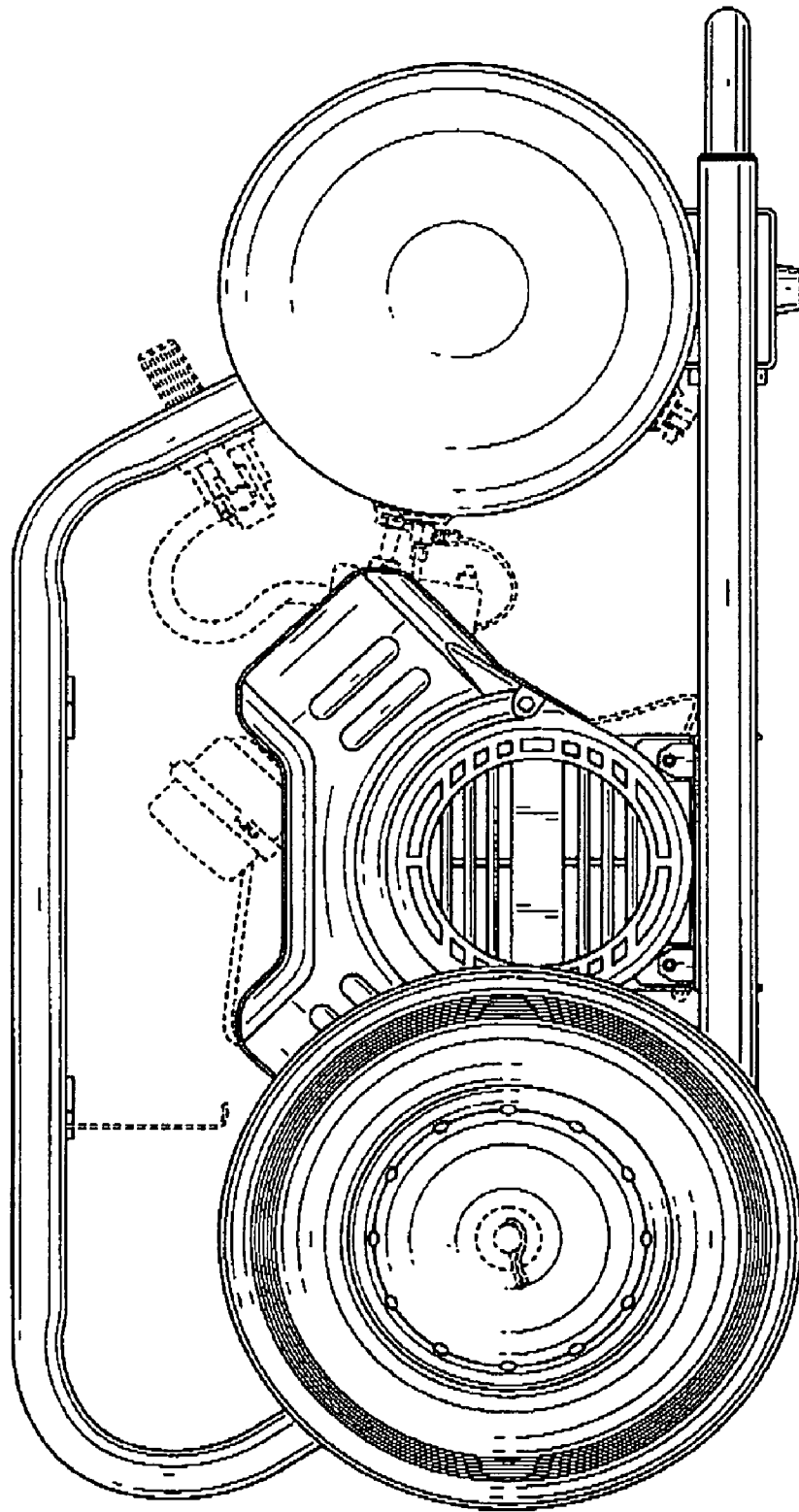


FIG. 4

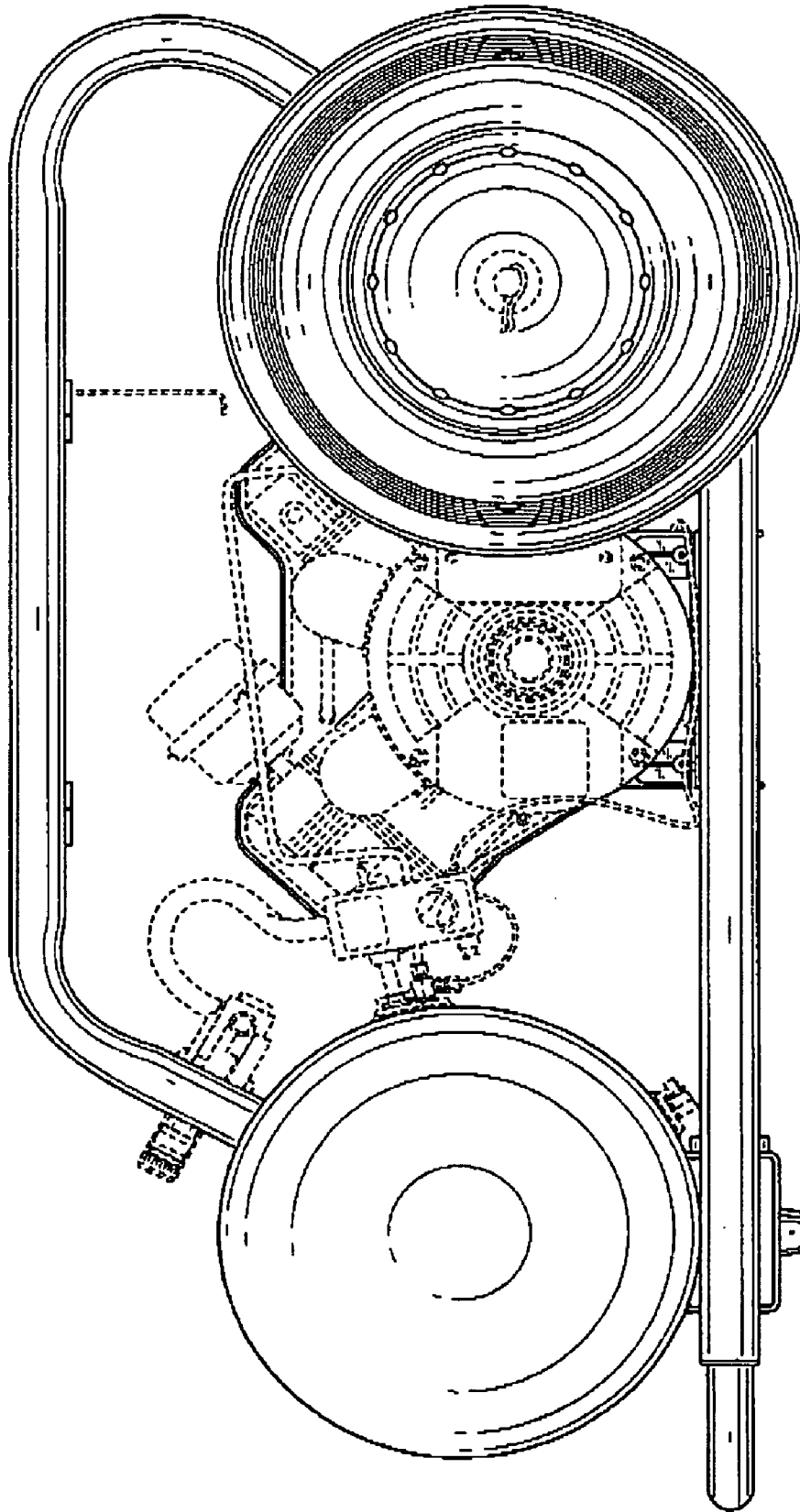


FIG. 5

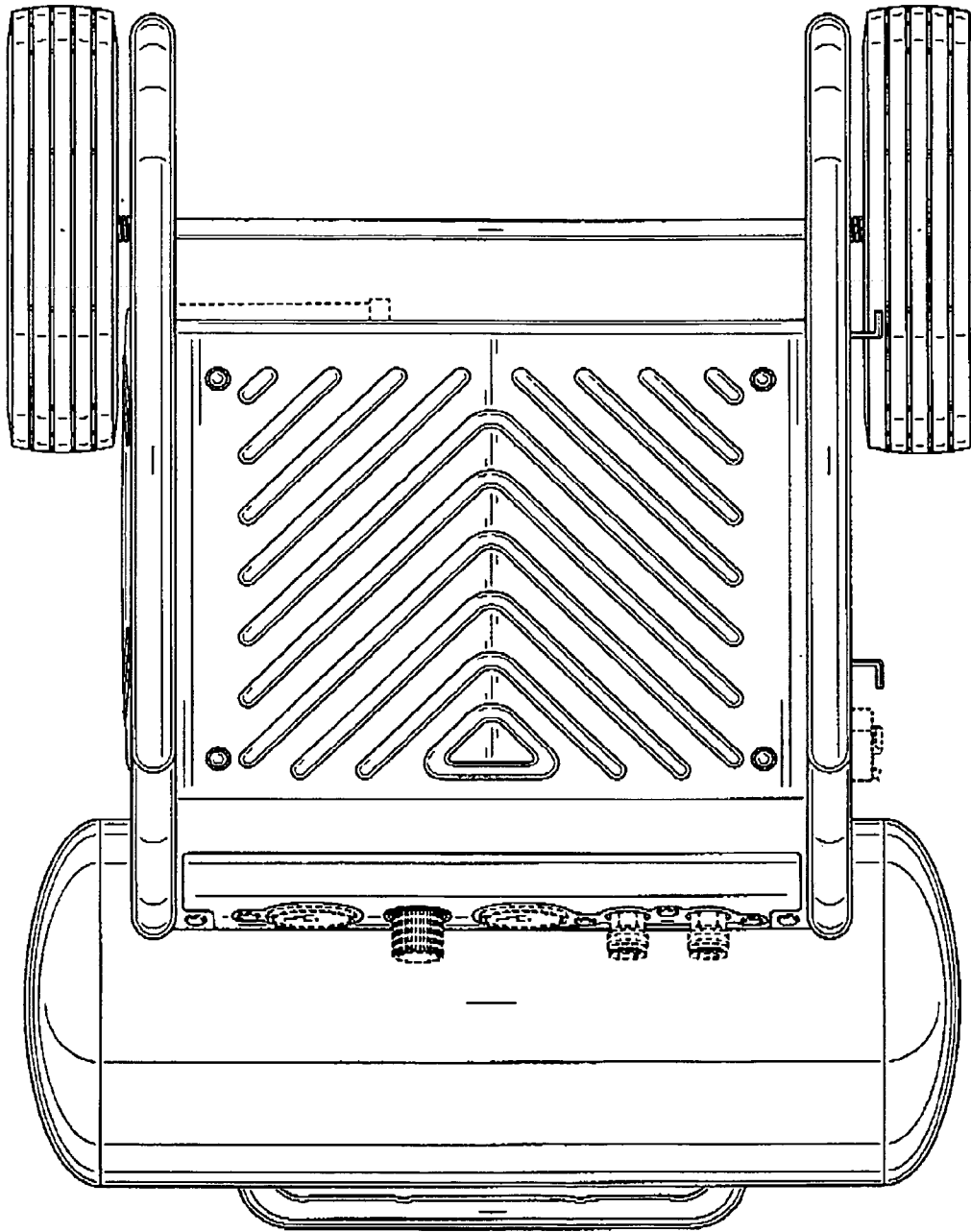


FIG. 6

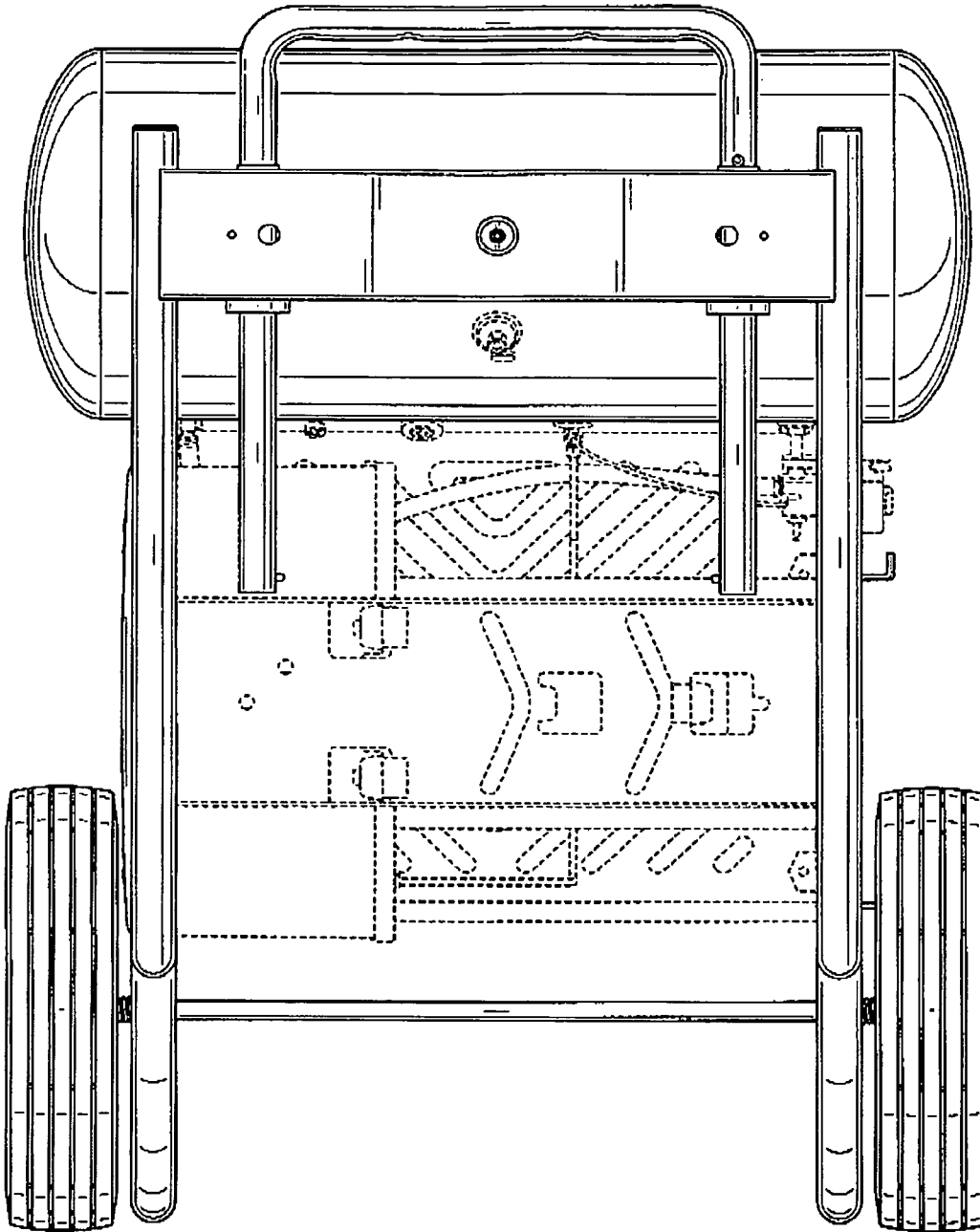


FIG. 7

UNITED STATES PATENT AND TRADEMARK OFFICE  
**CERTIFICATE OF CORRECTION**

PATENT NO. : D603,871 S  
APPLICATION NO. : 29/327619  
DATED : November 10, 2009  
INVENTOR(S) : Steinfeld et al.

Page 1 of 9

It is certified that error appears in the above-identified patent and that said Letters Patent is hereby corrected as shown below:

The title page showing an illustrative figure should be deleted and substitute therefor the attached title page.

Delete drawing sheets 1-7 and substitute therefor the drawings sheets consisting of figures 1-7 as shown on the attached pages.

Signed and Sealed this  
Seventeenth Day of July, 2012

A handwritten signature in black ink that reads "David J. Kappos". The signature is written in a cursive style with a large, stylized 'D' and 'K'.

David J. Kappos  
*Director of the United States Patent and Trademark Office*

(12) **United States Design Patent**  
Steinfelds et al.

(10) **Patent No.:** US D603,871 S  
(45) **Date of Patent:** \*\* Nov. 10, 2009

(54) **WHEELED PORTABLE AIR COMPRESSOR**  
(75) Inventors: **Craig R. Steinfelds**, Jackson, TN (US);  
**Daniel U. Goodwin**, Lexington, TN (US)  
(73) Assignee: **Black & Decker Inc.**, Newark, DE (US)  
(\*\*) Term: **14 Years**

D537,840 S 3/2007 Smith et al.  
D537,841 S 3/2007 Smith et al.  
D541,306 S 4/2007 Welsh et al.  
D553,647 S \* 10/2007 Steinfelds et al. D15/9  
D555,173 S \* 11/2007 Smith et al. D15/9  
D559,272 S 1/2008 Buck et al.  
D574,020 S \* 7/2008 Buck et al. D15/9  
D575,309 S \* 8/2008 Steinfelds et al. D15/9

(21) Appl. No.: **29/327,619**  
(22) Filed: **Nov. 10, 2008**

**OTHER PUBLICATIONS**

Porter Cable—Job Boss (TM) 4.5 Gallon 150 PSI Portable Air Compressor Model No. C3551 <http://www.porter-cable.com/index.asp?e=4434&t=t&p=4797>.

(51) **LOC (9) Cl.** ..... **15-02**  
(52) **U.S. Cl.** ..... **D15/7**  
(58) **Field of Classification Search** ..... D15/7-9;  
D23/231, 232, 225; 417/410.1, 359, 415-416,  
417/234, 321, 265, 405  
See application file for complete search history.

\* cited by examiner

*Primary Examiner*—R. Seifert  
(74) *Attorney, Agent, or Firm*—Rhonda L. Barton; Michael P. Leary; Adan Ayala

(56) **References Cited**

**CLAIM**

(57) The ornamental design for a wheeled portable air compressor, as shown and described.

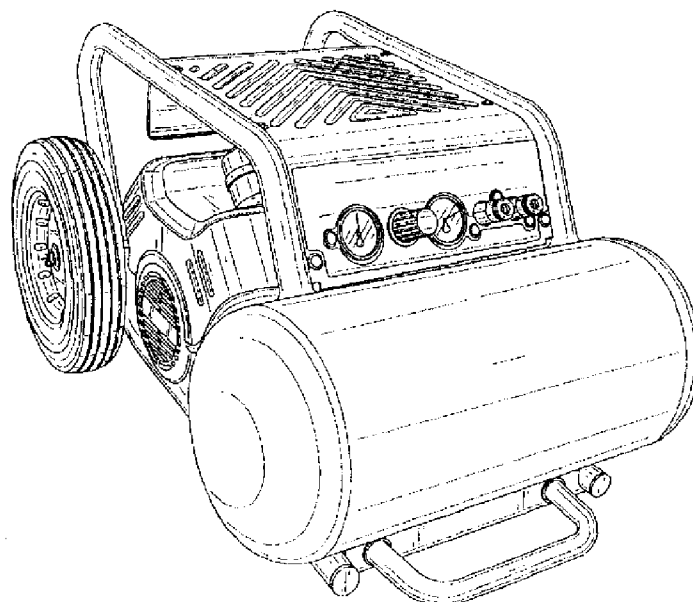
**U.S. PATENT DOCUMENTS**

D223,039 S 2/1972 Widmer  
D460,763 S 7/2002 Buck  
D461,196 S 8/2002 Buck  
D482,371 S \* 11/2003 Buck ..... D15/9  
D487,096 S 2/2004 Buck  
D487,097 S 2/2004 Buck  
D491,197 S 6/2004 Stilwell et al.  
D493,179 S 7/2004 Buck  
D499,120 S 11/2004 Buck  
D499,430 S 12/2004 Buck  
D499,747 S 12/2004 Buck  
D512,075 S 11/2005 Buck  
D531,191 S 10/2006 Smith et al.  
D531,644 S 11/2006 Smith et al.

**DESCRIPTION**

FIG. 1 is a top/front perspective view of a wheeled portable air compressor showing our new design.  
FIG. 2 is a front view thereof.  
FIG. 3 is a rear view thereof.  
FIG. 4 is a left side view thereof.  
FIG. 5 is a right side view thereof.  
FIG. 6 is a top view thereof, and,  
FIG. 7 is a bottom view thereof.

**1 Claim, 7 Drawing Sheets**



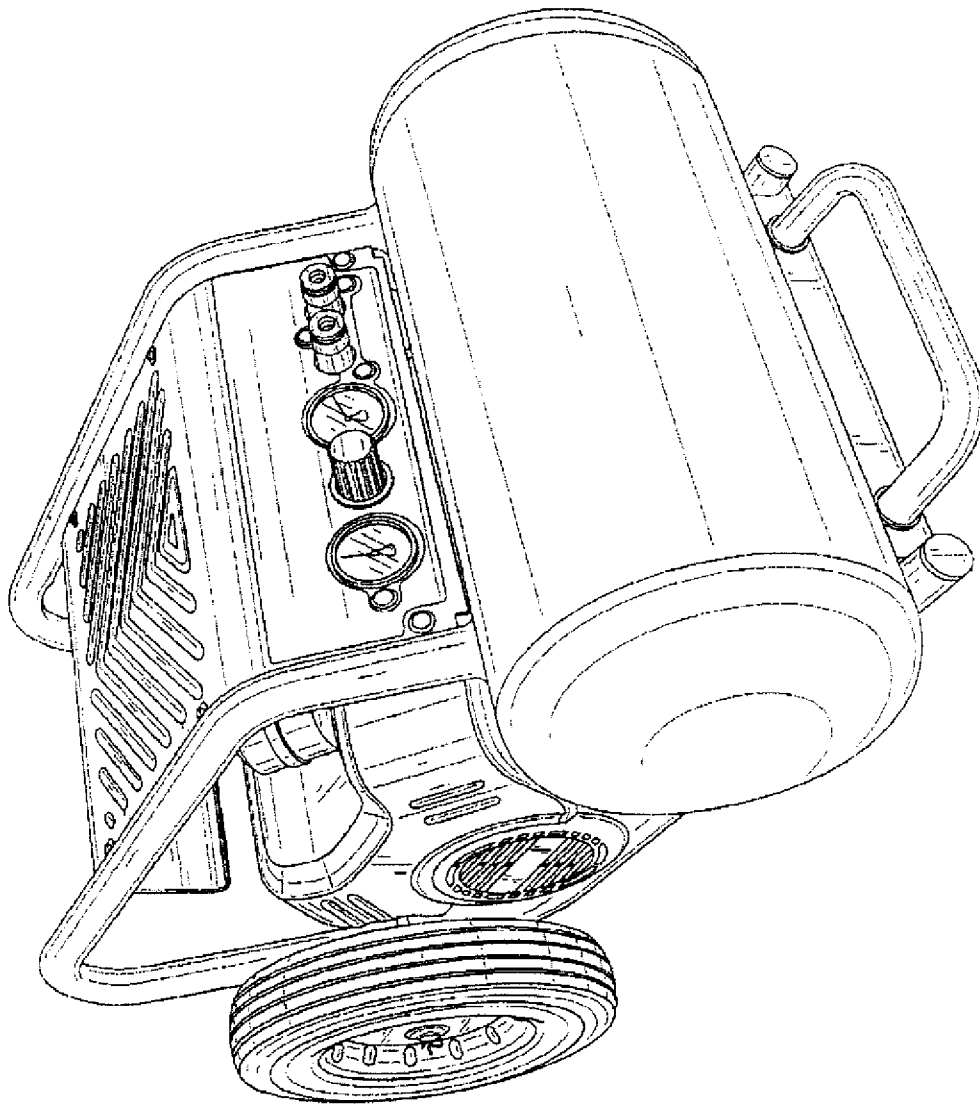


FIG. 1

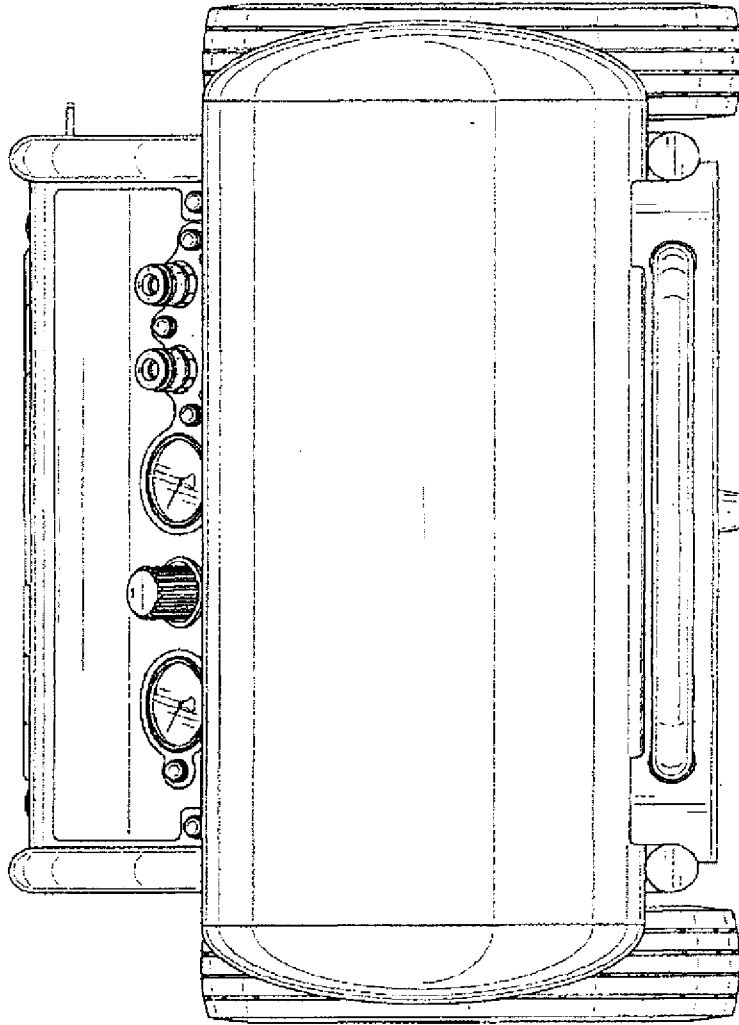


FIG. 2

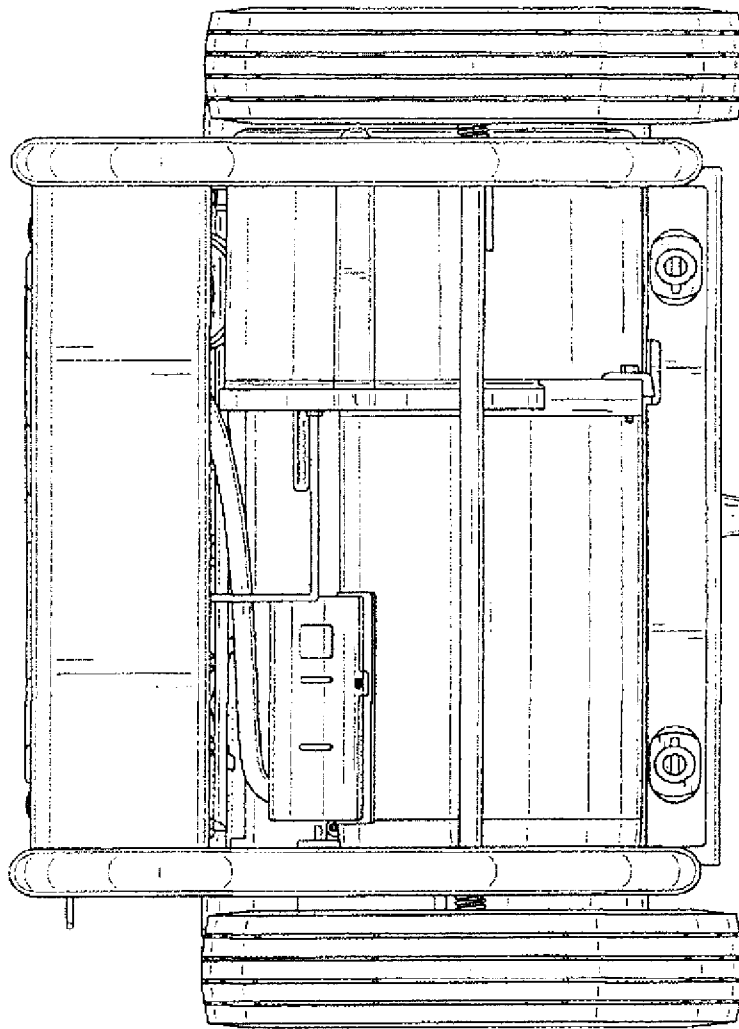


FIG. 3

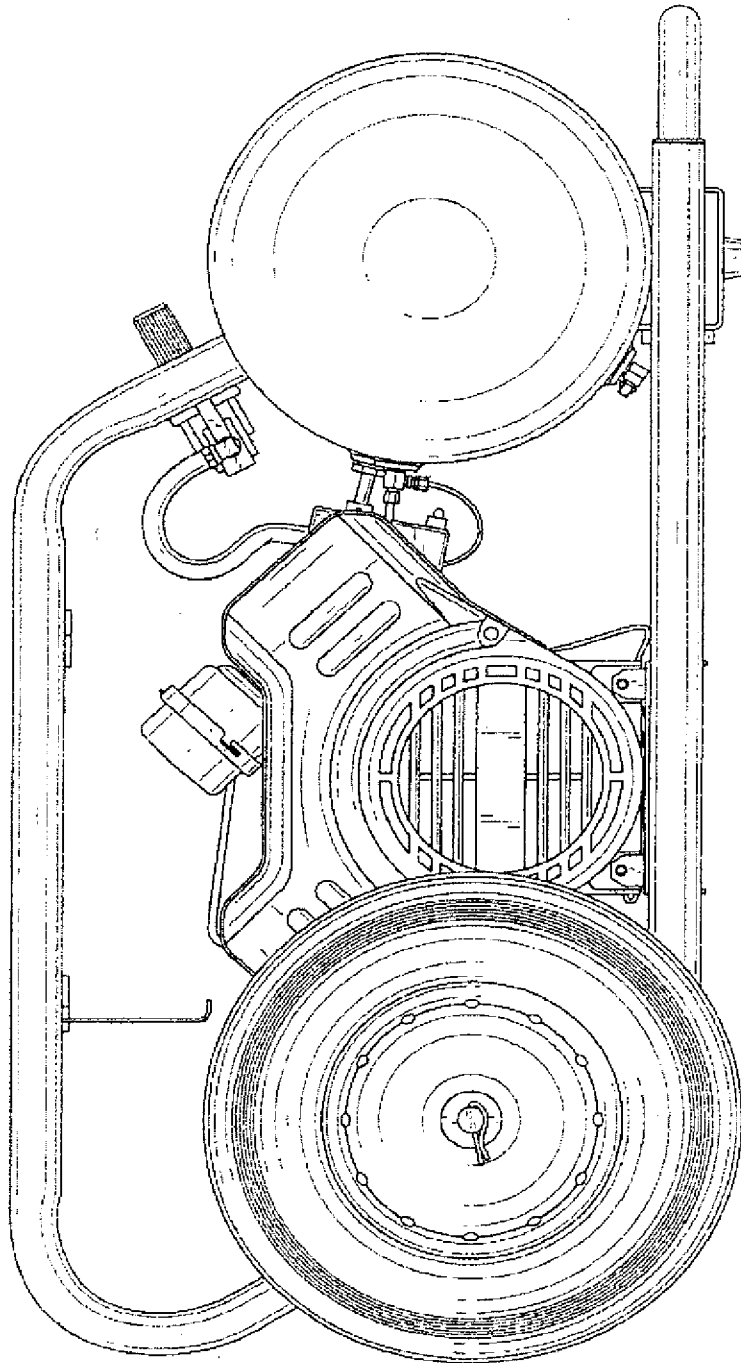


FIG. 4

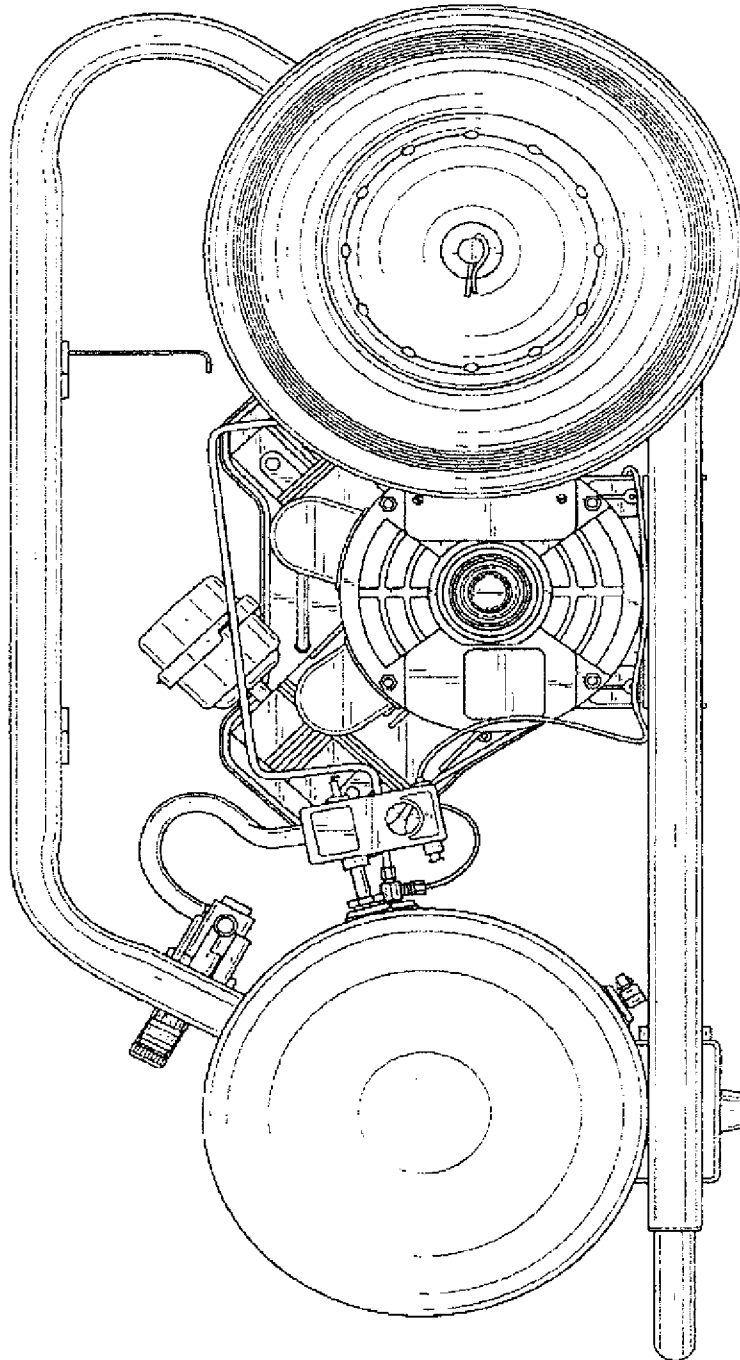


FIG. 5

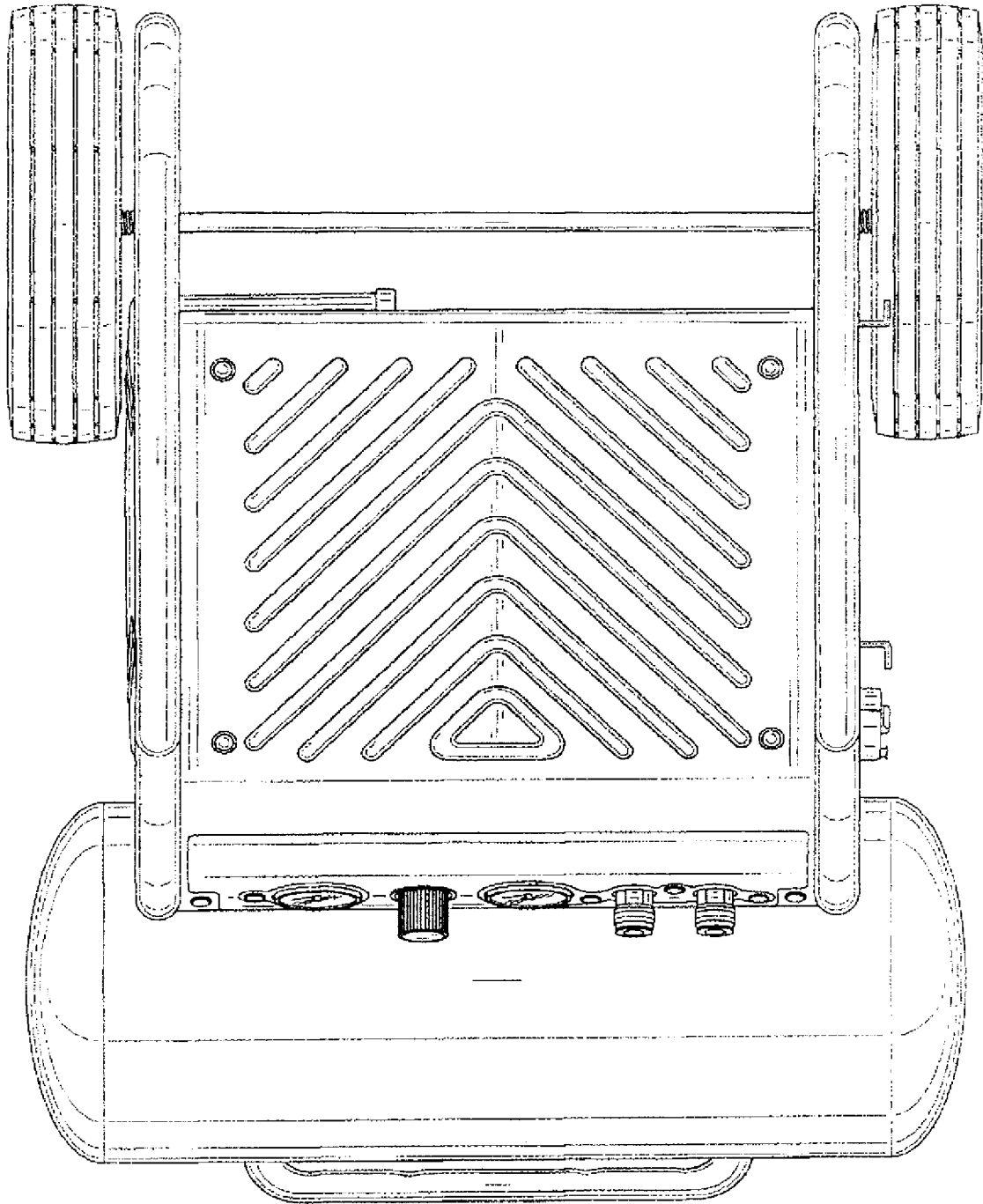


FIG. 6

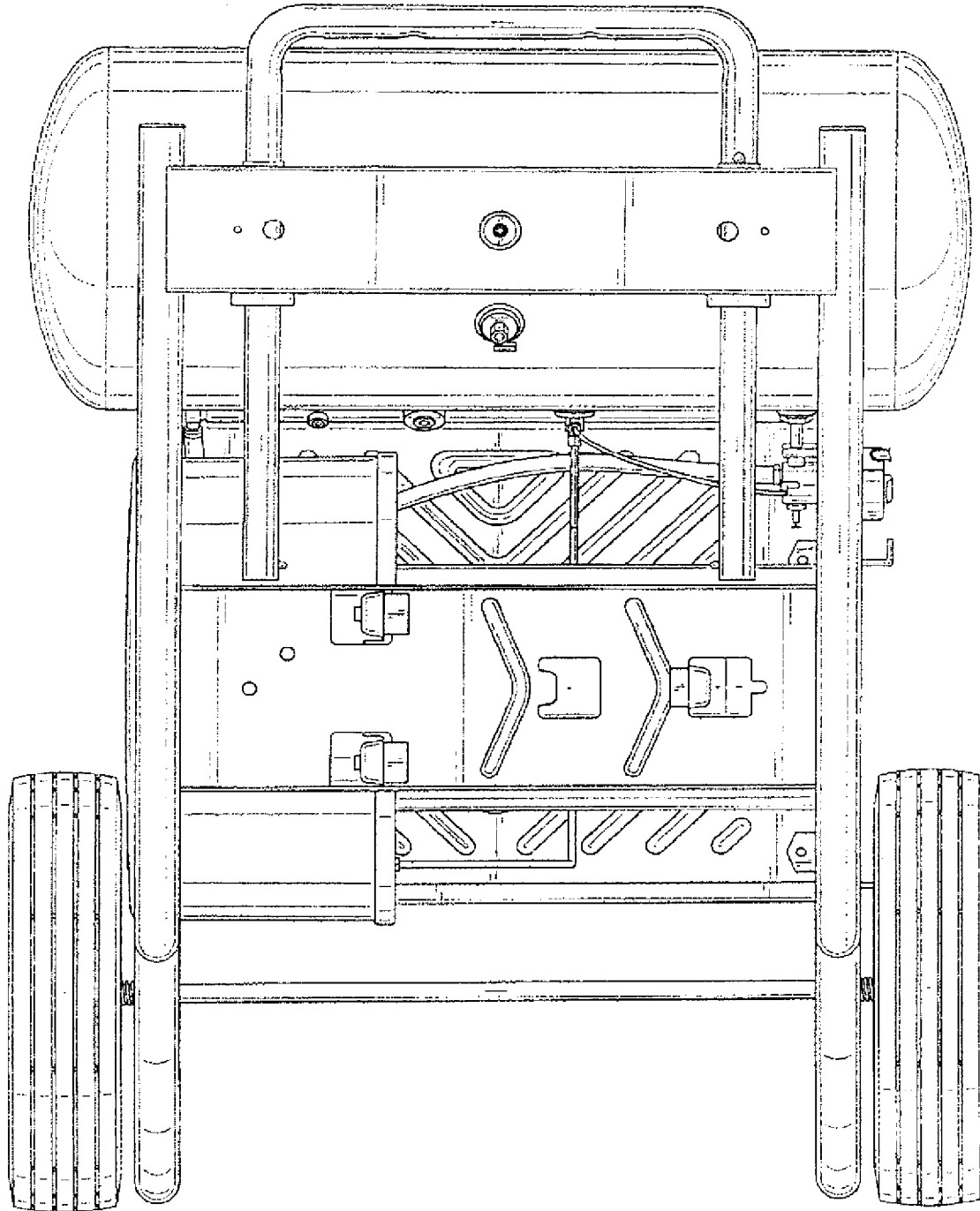


FIG. 7