



(43) International Publication Date
28 November 2013 (28.11.2013)

- (51) International Patent Classification:
H01S 3/00 (2006.01)
- (21) International Application Number:
PCT/US2013/040947
- (22) International Filing Date:
14 May 2013 (14.05.2013)
- (25) Filing Language: English
- (26) Publication Language: English
- (30) Priority Data:
13/479,760 24 May 2012 (24.05.2012) US
- (71) Applicant: **NORTHROP GRUMMAN SYSTEMS CORPORATION** [US/US]; 2980 Fariview Park Drive, Falls Church, Virginia 22042-4511 (US).
- (72) Inventor: **GOODNO, Gregory D.**; 6048 W. 75th Street, Los Angeles, California 90045 (US).
- (74) Agent: **HARRIS, Christopher P.**; Tarolli, Sundheim, Covell & Tummino LLP, 1300 East Ninth Street, Suite 1700, Cleveland, Ohio 44114 (US).
- (81) Designated States (unless otherwise indicated, for every kind of national protection available): AE, AG, AL, AM, AO, AT, AU, AZ, BA, BB, BG, BH, BN, BR, BW, BY, BZ, CA, CH, CL, CN, CO, CR, CU, CZ, DE, DK, DM, DO, DZ, EC, EE, EG, ES, FI, GB, GD, GE, GH, GM, GT,

HN, HR, HU, ID, IL, IN, IS, JP, KE, KG, KM, KN, KP, KR, KZ, LA, LC, LK, LR, LS, LT, LU, LY, MA, MD, ME, MG, MK, MN, MW, MX, MY, MZ, NA, NG, NI, NO, NZ, OM, PA, PE, PG, PH, PL, PT, QA, RO, RS, RU, RW, SC, SD, SE, SG, SK, SL, SM, ST, SV, SY, TH, TJ, TM, TN, TR, TT, TZ, UA, UG, US, UZ, VC, VN, ZA, ZM, ZW.

(84) Designated States (unless otherwise indicated, for every kind of regional protection available): ARIPO (BW, GH, GM, KE, LR, LS, MW, MZ, NA, RW, SD, SL, SZ, TZ, UG, ZM, ZW), Eurasian (AM, AZ, BY, KG, KZ, RU, TJ, TM), European (AL, AT, BE, BG, CH, CY, CZ, DE, DK, EE, ES, FI, FR, GB, GR, HR, HU, IE, IS, IT, LT, LU, LV, MC, MK, MT, NL, NO, PL, PT, RO, RS, SE, SI, SK, SM, TR), OAPI (BF, BJ, CF, CG, CI, CM, GA, GN, GQ, GW, ML, MR, NE, SN, TD, TG).

Declarations under Rule 4.17:

- as to the identity of the inventor (Rule 4.17(i))
- as to applicant's entitlement to apply for and be granted a patent (Rule 4.17(ii))

Published:

- with international search report (Art. 21(3))

(88) Date of publication of the international search report:

21 May 2015

(54) Title: COHERENT LASER ARRAY CONTROL SYSTEM AND METHOD

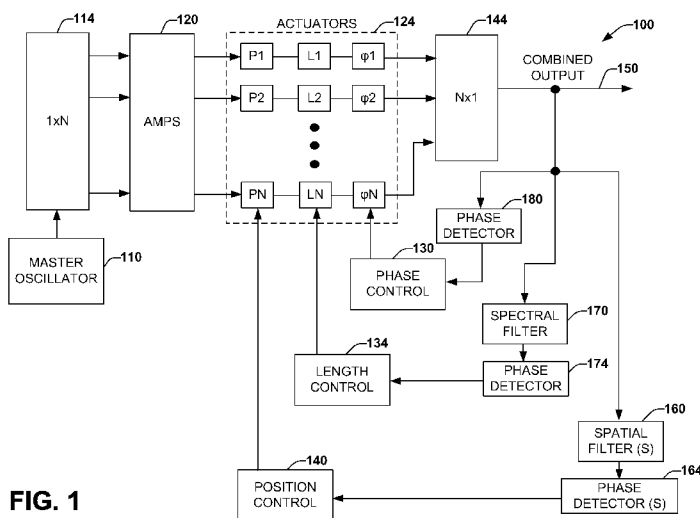


FIG. 1

(57) Abstract: In one embodiment, a system includes a master oscillator for generating a primary laser signal. A plurality of amplifiers amplifies a plurality of secondary laser signals and generates a plurality of amplified laser signals. A plurality of actuators adjusts a position, a beam angle, a path length, and a phase of the plurality of amplified laser signals. At least one control module controls the plurality of actuators that adjust the position, the beam angle, the path length, and the phase of the plurality of amplified laser signals. A combiner receives the amplified laser signals to generate a combined laser output signal. At least one filter samples the combined laser output signal to generate a plurality of phase errors as feedback for the control module to control at least one of the position, the beam angle, or the path length for the plurality of amplified laser signals.



WO 2013/176927 A3

INTERNATIONAL SEARCH REPORT

International application No.
PCT/US2013/040947

<p>A. CLASSIFICATION OF SUBJECT MATTER IPC(8) - H01S 3/00 (2013.01) USPC - 359/349 According to International Patent Classification (IPC) or to both national classification and IPC</p>																																												
<p>B. FIELDS SEARCHED</p> <p>Minimum documentation searched (classification system followed by classification symbols) IPC(8) - H01S 3/00, 3/13; G01B 9/02; H04B 10/17 (2013.01) USPC - 359/349; 372/29.011, 29.016, 29.023; 356/477, 484.</p> <p>Documentation searched other than minimum documentation to the extent that such documents are included in the fields searched CPC - H01S 3/2383, 3/06754, 3/005, 3/2383 (2013.01)</p> <p>Electronic data base consulted during the international search (name of data base and, where practicable, search terms used) PatBase, Orbit, Google Patents, ProQuest</p>																																												
<p>C. DOCUMENTS CONSIDERED TO BE RELEVANT</p> <table border="1"> <thead> <tr> <th>Category*</th> <th>Citation of document, with indication, where appropriate, of the relevant passages</th> <th>Relevant to claim No.</th> </tr> </thead> <tbody> <tr> <td>Y</td> <td>US 2008/0253415 A1 (LIVINGSTON) 16 October 2008 (16.10.2008) entire document</td> <td>1-20</td> </tr> <tr> <td>Y</td> <td>US 7,884,997 B2 (GOODNO) 08 February 2011 (08.02.2011) entire document</td> <td>1-20</td> </tr> <tr> <td>Y</td> <td>US 7,339,727 B1 (ROTHENBERG et al) 04 March 2008 (04.03.2008) entire document</td> <td>2-4, 17</td> </tr> <tr> <td>Y</td> <td>US 2012/0006979 A1 (KAKUI et al) 12 January 2012 (12.01.2012) entire document</td> <td>5, 18</td> </tr> <tr> <td>Y</td> <td>US 2001/0036209 A1 (DELFYETT et al) 01 November 2001 (01.11.2001) entire document</td> <td>6-8, 15</td> </tr> <tr> <td>Y</td> <td>US 2012/0026509 A1 (CUI et al) 02 February 2012 (02.02.2012) entire document</td> <td>8, 15</td> </tr> <tr> <td>Y</td> <td>US 2010/0272134 A1 (BLANDING et al) 28 October 2010 (28.10.2010) entire document</td> <td>9, 20</td> </tr> <tr> <td>Y</td> <td>US 2005/0280887 A1 (BETIN et al) 22 December 2005 (22.12.2005) entire document</td> <td>10</td> </tr> <tr> <td>Y</td> <td>US 7,382,943 B1 (HEATON) 03 June 2008 (03.06.2008) entire document</td> <td>11</td> </tr> <tr> <td>Y</td> <td>US 7,406,220 B1 (CHRISTENSEN et al) 29 July 2008 (29.07.2008) entire document</td> <td>13, 19</td> </tr> <tr> <td>Y</td> <td>US 6,246,482 B1 (KINROT et al) 12 June 2001 (12.06.2001) entire document</td> <td>14-15</td> </tr> <tr> <td>A</td> <td>US 6,678,288 B2 (RICE) 13 January 2004 (13.01.2004) entire document</td> <td>1-20</td> </tr> <tr> <td>A</td> <td>US 7,187,492 B1 (SHAY) 06 March 2007 (06.03.2007) entire document</td> <td>1-20</td> </tr> </tbody> </table>			Category*	Citation of document, with indication, where appropriate, of the relevant passages	Relevant to claim No.	Y	US 2008/0253415 A1 (LIVINGSTON) 16 October 2008 (16.10.2008) entire document	1-20	Y	US 7,884,997 B2 (GOODNO) 08 February 2011 (08.02.2011) entire document	1-20	Y	US 7,339,727 B1 (ROTHENBERG et al) 04 March 2008 (04.03.2008) entire document	2-4, 17	Y	US 2012/0006979 A1 (KAKUI et al) 12 January 2012 (12.01.2012) entire document	5, 18	Y	US 2001/0036209 A1 (DELFYETT et al) 01 November 2001 (01.11.2001) entire document	6-8, 15	Y	US 2012/0026509 A1 (CUI et al) 02 February 2012 (02.02.2012) entire document	8, 15	Y	US 2010/0272134 A1 (BLANDING et al) 28 October 2010 (28.10.2010) entire document	9, 20	Y	US 2005/0280887 A1 (BETIN et al) 22 December 2005 (22.12.2005) entire document	10	Y	US 7,382,943 B1 (HEATON) 03 June 2008 (03.06.2008) entire document	11	Y	US 7,406,220 B1 (CHRISTENSEN et al) 29 July 2008 (29.07.2008) entire document	13, 19	Y	US 6,246,482 B1 (KINROT et al) 12 June 2001 (12.06.2001) entire document	14-15	A	US 6,678,288 B2 (RICE) 13 January 2004 (13.01.2004) entire document	1-20	A	US 7,187,492 B1 (SHAY) 06 March 2007 (06.03.2007) entire document	1-20
Category*	Citation of document, with indication, where appropriate, of the relevant passages	Relevant to claim No.																																										
Y	US 2008/0253415 A1 (LIVINGSTON) 16 October 2008 (16.10.2008) entire document	1-20																																										
Y	US 7,884,997 B2 (GOODNO) 08 February 2011 (08.02.2011) entire document	1-20																																										
Y	US 7,339,727 B1 (ROTHENBERG et al) 04 March 2008 (04.03.2008) entire document	2-4, 17																																										
Y	US 2012/0006979 A1 (KAKUI et al) 12 January 2012 (12.01.2012) entire document	5, 18																																										
Y	US 2001/0036209 A1 (DELFYETT et al) 01 November 2001 (01.11.2001) entire document	6-8, 15																																										
Y	US 2012/0026509 A1 (CUI et al) 02 February 2012 (02.02.2012) entire document	8, 15																																										
Y	US 2010/0272134 A1 (BLANDING et al) 28 October 2010 (28.10.2010) entire document	9, 20																																										
Y	US 2005/0280887 A1 (BETIN et al) 22 December 2005 (22.12.2005) entire document	10																																										
Y	US 7,382,943 B1 (HEATON) 03 June 2008 (03.06.2008) entire document	11																																										
Y	US 7,406,220 B1 (CHRISTENSEN et al) 29 July 2008 (29.07.2008) entire document	13, 19																																										
Y	US 6,246,482 B1 (KINROT et al) 12 June 2001 (12.06.2001) entire document	14-15																																										
A	US 6,678,288 B2 (RICE) 13 January 2004 (13.01.2004) entire document	1-20																																										
A	US 7,187,492 B1 (SHAY) 06 March 2007 (06.03.2007) entire document	1-20																																										
<p><input type="checkbox"/> Further documents are listed in the continuation of Box C. <input type="checkbox"/></p>																																												
<p>* Special categories of cited documents:</p> <table border="0"> <tr> <td style="vertical-align: top;"> <p>“A” document defining the general state of the art which is not considered to be of particular relevance</p> <p>“E” earlier application or patent but published on or after the international filing date</p> <p>“L” document which may throw doubts on priority claim(s) or which is cited to establish the publication date of another citation or other special reason (as specified)</p> <p>“O” document referring to an oral disclosure, use, exhibition or other means</p> <p>“P” document published prior to the international filing date but later than the priority date claimed</p> </td> <td style="vertical-align: top;"> <p>“T” later document published after the international filing date or priority date and not in conflict with the application but cited to understand the principle or theory underlying the invention</p> <p>“X” document of particular relevance; the claimed invention cannot be considered novel or cannot be considered to involve an inventive step when the document is taken alone</p> <p>“Y” document of particular relevance; the claimed invention cannot be considered to involve an inventive step when the document is combined with one or more other such documents, such combination being obvious to a person skilled in the art</p> <p>“&” document member of the same patent family</p> </td> </tr> </table>			<p>“A” document defining the general state of the art which is not considered to be of particular relevance</p> <p>“E” earlier application or patent but published on or after the international filing date</p> <p>“L” document which may throw doubts on priority claim(s) or which is cited to establish the publication date of another citation or other special reason (as specified)</p> <p>“O” document referring to an oral disclosure, use, exhibition or other means</p> <p>“P” document published prior to the international filing date but later than the priority date claimed</p>	<p>“T” later document published after the international filing date or priority date and not in conflict with the application but cited to understand the principle or theory underlying the invention</p> <p>“X” document of particular relevance; the claimed invention cannot be considered novel or cannot be considered to involve an inventive step when the document is taken alone</p> <p>“Y” document of particular relevance; the claimed invention cannot be considered to involve an inventive step when the document is combined with one or more other such documents, such combination being obvious to a person skilled in the art</p> <p>“&” document member of the same patent family</p>																																								
<p>“A” document defining the general state of the art which is not considered to be of particular relevance</p> <p>“E” earlier application or patent but published on or after the international filing date</p> <p>“L” document which may throw doubts on priority claim(s) or which is cited to establish the publication date of another citation or other special reason (as specified)</p> <p>“O” document referring to an oral disclosure, use, exhibition or other means</p> <p>“P” document published prior to the international filing date but later than the priority date claimed</p>	<p>“T” later document published after the international filing date or priority date and not in conflict with the application but cited to understand the principle or theory underlying the invention</p> <p>“X” document of particular relevance; the claimed invention cannot be considered novel or cannot be considered to involve an inventive step when the document is taken alone</p> <p>“Y” document of particular relevance; the claimed invention cannot be considered to involve an inventive step when the document is combined with one or more other such documents, such combination being obvious to a person skilled in the art</p> <p>“&” document member of the same patent family</p>																																											
<p>Date of the actual completion of the international search</p> <p>09 September 2013</p>		<p>Date of mailing of the international search report</p> <p>24 SEP 2013</p>																																										
<p>Name and mailing address of the ISA/US</p> <p>Mail Stop PCT, Attn: ISA/US, Commissioner for Patents P.O. Box 1450, Alexandria, Virginia 22313-1450 Facsimile No. 571-273-3201</p>		<p>Authorized officer:</p> <p>Blaine R. Copenheaver</p> <p>PCT Helpdesk: 571-272-4300 PCT OSP: 571-272-7774</p>																																										