

(19) World Intellectual Property Organization
International Bureau



(43) International Publication Date
13 September 2007 (13.09.2007)

PCT

(10) International Publication Number
WO 2007/103178 A3

- (51) International Patent Classification:
A63B 69/34 (2006.01) A63B 5/20 (2006.01)
- (21) International Application Number:
PCT/US2007/005353
- (22) International Filing Date: 2 March 2007 (02.03.2007)
- (25) Filing Language: English
- (26) Publication Language: English
- (30) Priority Data:
60/778,751 3 March 2006 (03.03.2006) US
- (71) Applicant and
(72) Inventor: ANDERSON, Joseph, M. [US/US]; 2293
Saunders Settlement Road, Sanborn, NY 14132 (US).

AT, AU, AZ, BA, BB, BG, BR, BW, BY, BZ, CA, CH, CN, CO, CR, CU, CZ, DE, DK, DM, DZ, EC, EE, EG, ES, FI, GB, GD, GE, GH, GM, GT, HN, HR, HU, ID, IL, IN, IS, JP, KE, KG, KM, KN, KP, KR, KZ, LA, LC, LK, LR, LS, LT, LU, LY, MA, MD, MG, MK, MN, MW, MX, MY, MZ, NA, NG, NI, NO, NZ, OM, PG, PH, PL, PT, RO, RS, RU, SC, SD, SE, SG, SK, SL, SM, SV, SY, TJ, TM, TN, TR, TT, TZ, UA, UG, US, UZ, VC, VN, ZA, ZM, ZW.

- (74) Agents: RICHARDS, Rowland et al.; Phillips Lytle LLP,
3400 HSBC Center, Buffalo, NY 14203 (US).
- (81) Designated States (unless otherwise indicated, for every
kind of national protection available): AE, AG, AL, AM,

(84) Designated States (unless otherwise indicated, for every kind of regional protection available): ARIPO (BW, GH, GM, KE, LS, MW, MZ, NA, SD, SL, SZ, TZ, UG, ZM, ZW), Eurasian (AM, AZ, BY, KG, KZ, MD, RU, TJ, TM), European (AT, BE, BG, CH, CY, CZ, DE, DK, EE, ES, FI, FR, GB, GR, HU, IE, IS, IT, LT, LU, LV, MC, MT, NL, PL, PT, RO, SE, SI, SK, TR), OAPI (BF, BJ, CF, CG, CI, CM, GA, GN, GQ, GW, ML, MR, NE, SN, TD, TG).

Published:
— with international search report
(88) Date of publication of the international search report:
21 August 2008

(54) Title: BOXING TRAINING APPARATUS

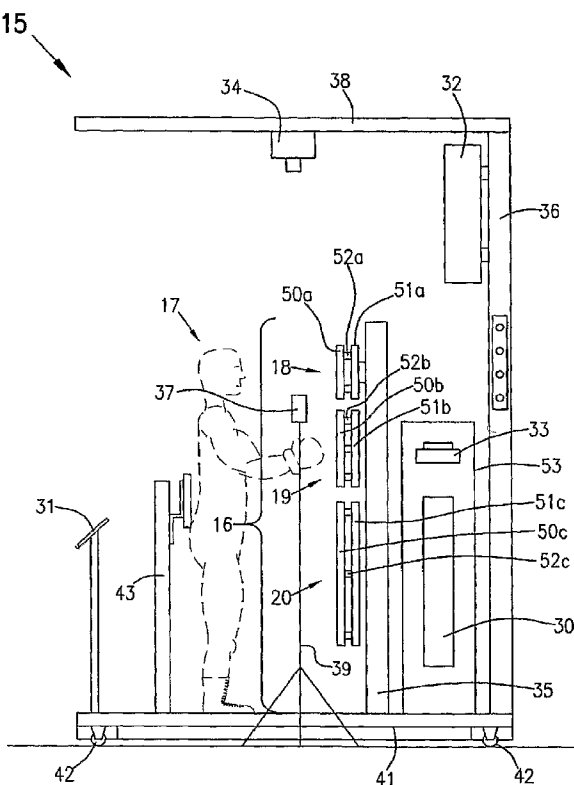


FIG. 1

(57) Abstract: A training apparatus for a user comprising a simulated body element adapted to receive impact forces from a user, the body element having a head region, a mid-torso rib region and a lower-torso kidney region, each of the regions having a right section and a left section, each of the sections comprising at least one impact sensor adapted to sense an impact force to the section and to provide an impact signal as a function of the impact force, a processor communicating with the sensors, an input device adapted to obtain input from the user and to provide an input signal, the input device communicating with the processor, and the processor adapted to receive the impact signal and the input signal and to provide an output that is a function of the impact signal and the input signal.

WO 2007/103178 A3

INTERNATIONAL SEARCH REPORT

International application No.

PCT/US07/05353

A. CLASSIFICATION OF SUBJECT MATTER
 IPC: **A63B 69/34**(2006.01)
 A63B 5/20(2006.01)

 USPC: **482/83**
 According to International Patent Classification (IPC) or to both national classification and IPC

B. FIELDS SEARCHED

Minimum documentation searched (classification system followed by classification symbols)
 U.S. : 482/83

Documentation searched other than minimum documentation to the extent that such documents are included in the fields searched

Electronic data base consulted during the international search (name of data base and, where practicable, search terms used)

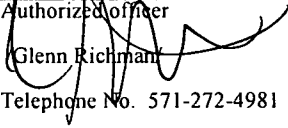
C. DOCUMENTS CONSIDERED TO BE RELEVANT

| Category * | Citation of document, with indication, where appropriate, of the relevant passages | Relevant to claim No. |
|------------|--|-----------------------|
| A, P | US 7,131,917 B2 (SPENCER) 7 November 2006 (07.11.2006), see entire document. | 1-12 |
| A | US 6,769,286 B2 (BIERMANN et al) 03 August 2004 (03.08.2004), see entire document. | 1-12 |

Further documents are listed in the continuation of Box C. See patent family annex.

| * Special categories of cited documents: | |
|---|--|
| "A" document defining the general state of the art which is not considered to be of particular relevance | "T" later document published after the international filing date or priority date and not in conflict with the application but cited to understand the principle or theory underlying the invention |
| "E" earlier application or patent published on or after the international filing date | "X" document of particular relevance: the claimed invention cannot be considered novel or cannot be considered to involve an inventive step when the document is taken alone |
| "L" document which may throw doubts on priority claim(s) or which is cited to establish the publication date of another citation or other special reason (as specified) | "Y" document of particular relevance: the claimed invention cannot be considered to involve an inventive step when the document is combined with one or more other such documents, such combination being obvious to a person skilled in the art |
| "O" document referring to an oral disclosure, use, exhibition or other means | "&" document member of the same patent family |
| "P" document published prior to the international filing date but later than the priority date claimed | |

| | |
|---|--|
| Date of the actual completion of the international search 13 May 2008 (13.05.2008) | Date of mailing of the international search report 27 MAY 2008 |
|---|--|

| | |
|---|---|
| Name and mailing address of the ISA/US Mail Stop PCT, Attn: ISA/US Commissioner for Patents P.O. Box 1450 Alexandria, Virginia 22313-1450 Facsimile No. (571) 273-3201 | Authorized officer  Glenn Richman Telephone No. 571-272-4981 |
|---|---|