



US00D343398S

United States Patent [19]

[11] Patent Number: Des. 343,398

Dunn

[45] Date of Patent: ** Jan. 18, 1994

[54] LINEAR PUNCH PRESS

4,486,941 12/1984 Scott et al. D15/128 X
4,503,741 3/1985 Hunter et al. .

[76] Inventor: David C. Dunn, 410 E. Cleveland,
Guthrie, Okla. 73044

Primary Examiner—Alan P. Douglas
Assistant Examiner—Antoine D. Davis
Attorney, Agent, or Firm—Robert K. Rhea

[**] Term: 14 Years

[21] Appl. No.: 756,779

[57] CLAIM

[22] Filed: Sep. 6, 1991

The ornamental design for a linear punch press, as shown.

[52] U.S. Cl. D15/128

[58] Field of Search 83/277; D15/127, 128

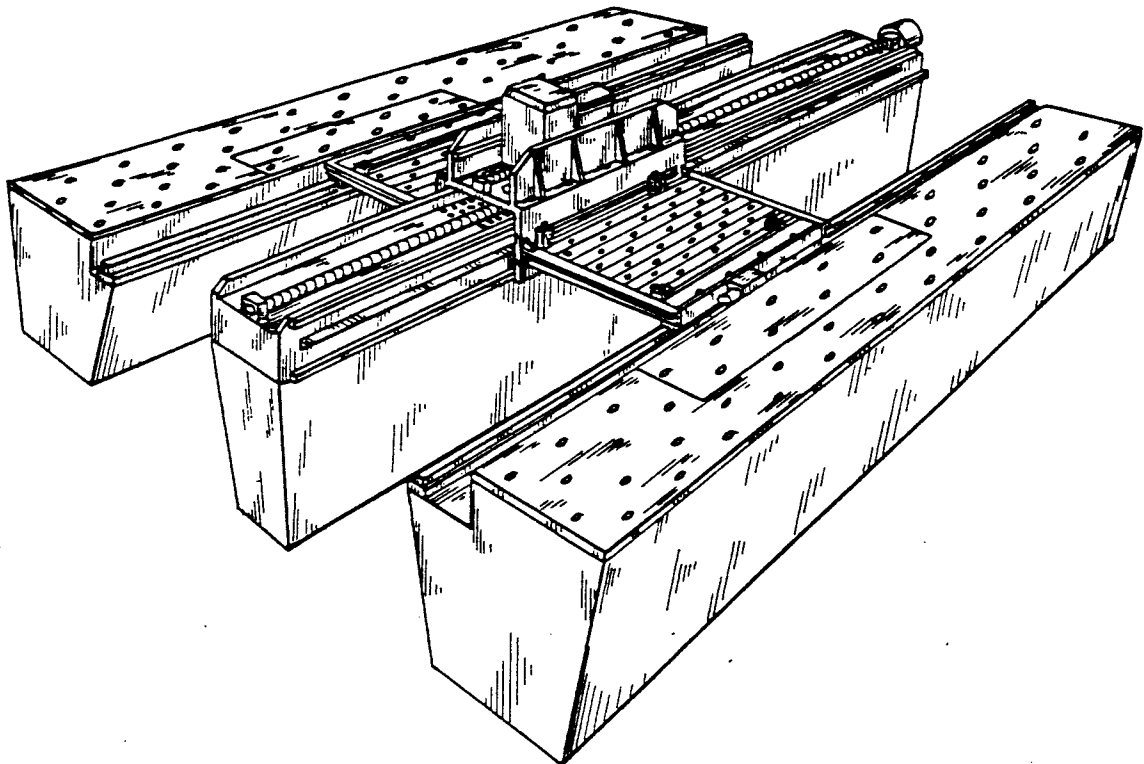
DESCRIPTION

[56] References Cited

U.S. PATENT DOCUMENTS

3,449,991 6/1969 Daniels .
3,717,061 2/1973 Daniels 83/552 X

FIG. 1 is a perspective view of a linear punch press showing my new design;
FIG. 2 is a front elevational view;
FIG. 3 is a right side elevational view; and,
FIG. 4 is a top plan view thereof.



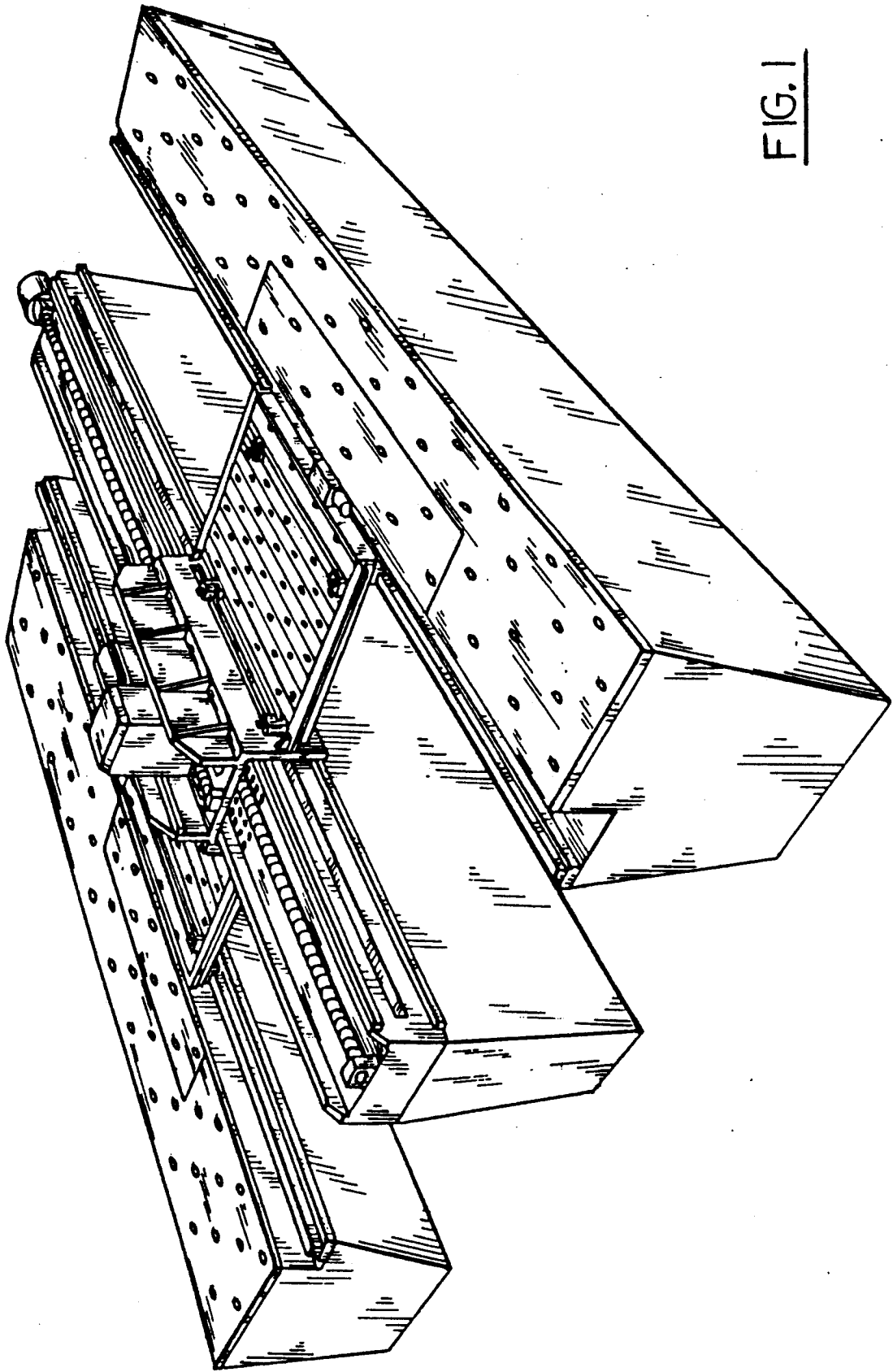
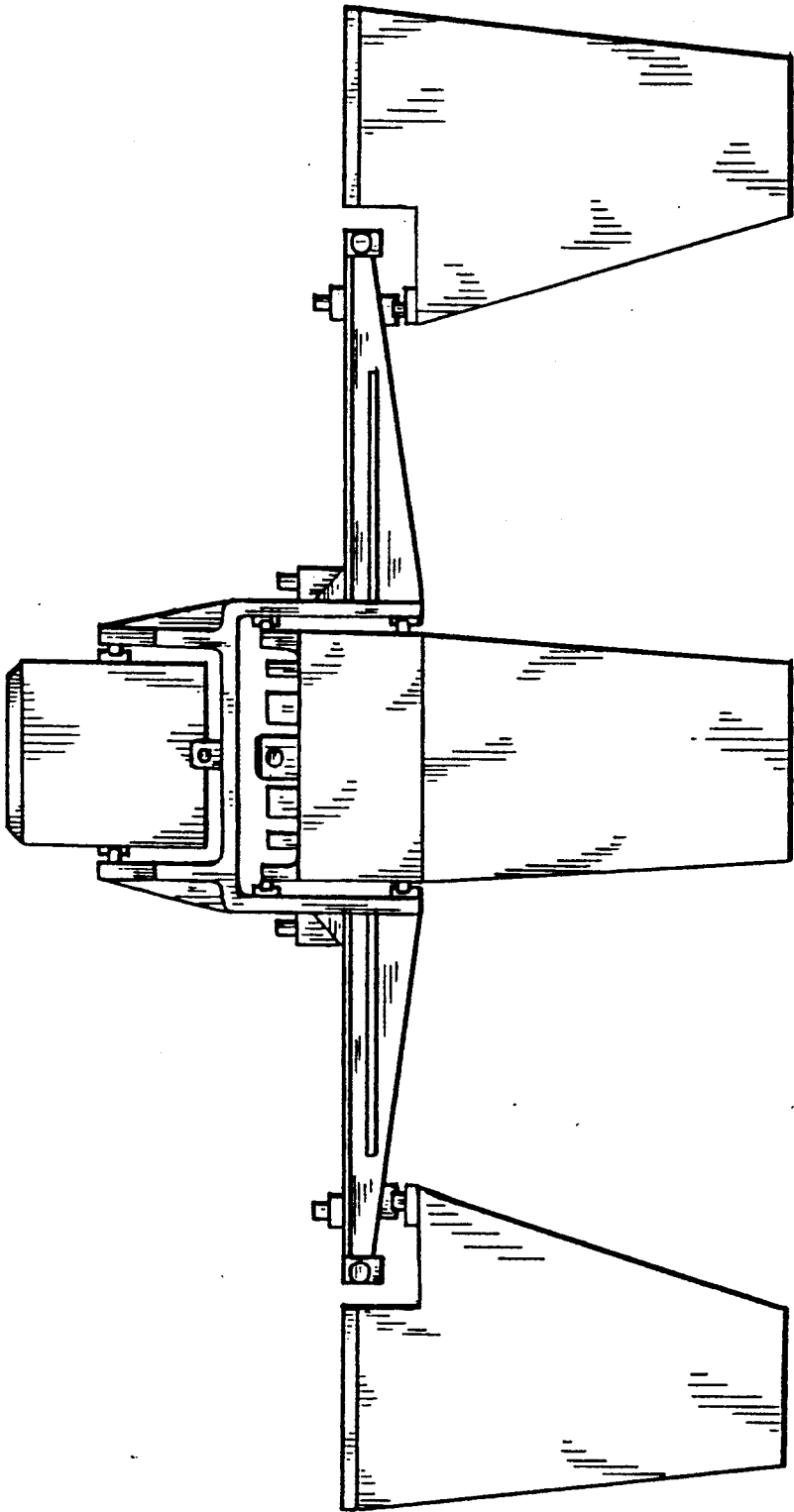


FIG. 1

FIG. 2



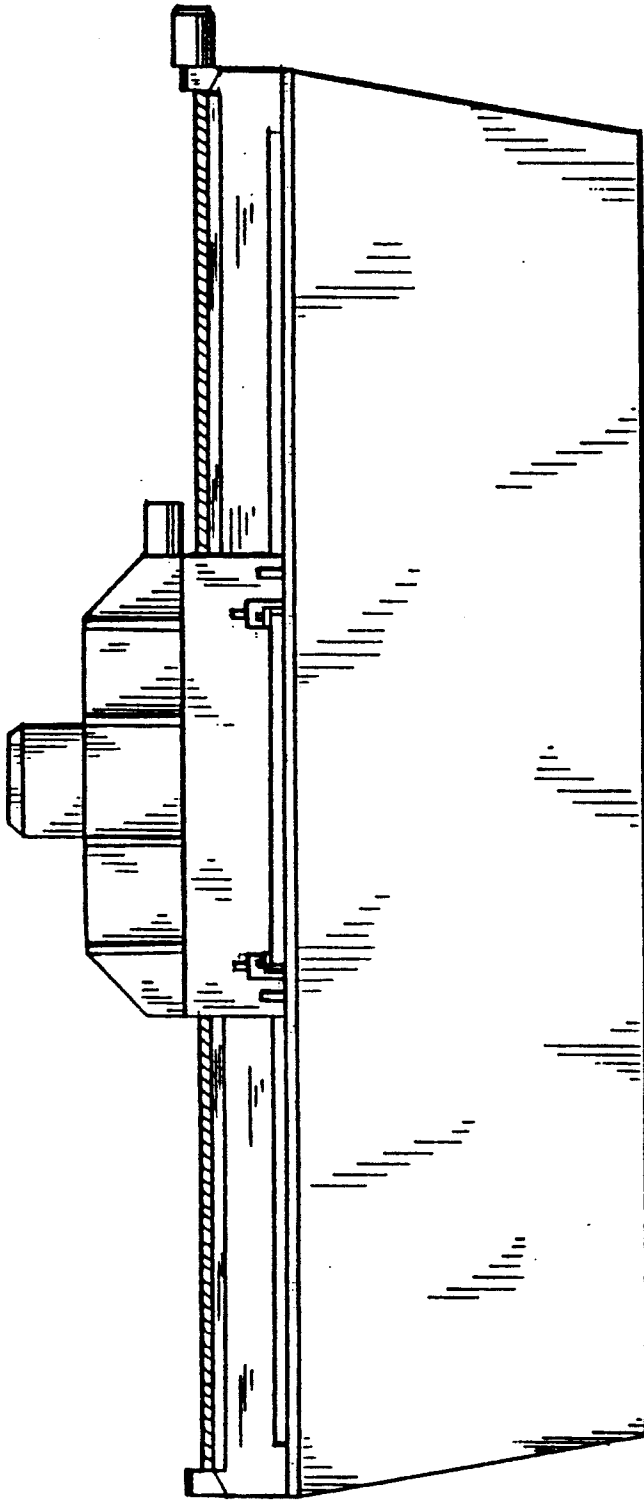


FIG. 3

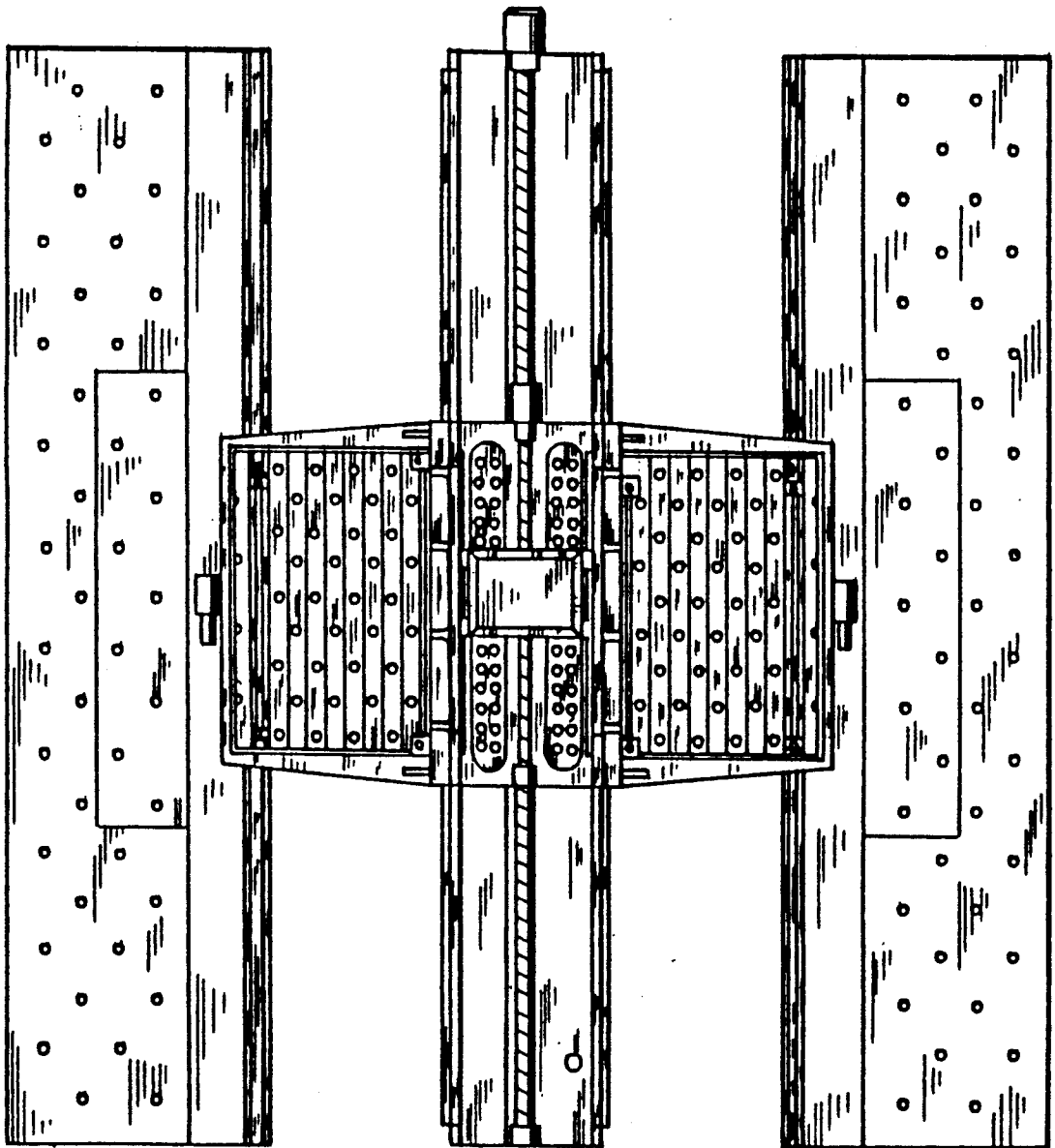


FIG. 4