



US0D1024924S

(12) **United States Design Patent**
Shi

(10) **Patent No.:** **US D1,024,924 S**

(45) **Date of Patent:** **** Apr. 30, 2024**

- (54) **SOLAR PANEL WITH BRACKET**
- (71) Applicant: **Shenzhen Kuake Zhichuang Technology Co., Ltd.**, Shenzhen (CN)
- (72) Inventor: **Yali Shi**, Hubei (CN)
- (73) Assignee: **Shenzhen Kuake Zhichuang Technology Co., Ltd.**, Shenzhen (CN)
- (**) Term: **15 Years**
- (21) Appl. No.: **29/922,992**

D814,401 S *	4/2018	Cheung	D13/102
D840,924 S *	2/2019	Bonci	D13/102
D859,304 S *	9/2019	Wang	D13/102
D958,058 S *	7/2022	Ganshaw	D13/102
D999,156 S *	9/2023	Qin	D13/102
D1,015,263 S *	2/2024	Liu	D13/102
2013/0240015 A1 *	9/2013	Chaimovski	H02S 30/20 136/245

* cited by examiner

Primary Examiner — Derrick E Holland
(74) *Attorney, Agent, or Firm* — Kunzler Bean & Adamson, PC; Michael Bartholomew

- (22) Filed: **Dec. 27, 2023**
- (51) **LOC (14) Cl.** **13-02**
- (52) **U.S. Cl.**
USPC **D13/102**
- (58) **Field of Classification Search**
USPC D13/102, 101, 103, 110, 107, 108, 199
CPC H01L 31/00; H01L 31/042; H01L 31/045;
H01L 31/048; H01L 31/052; H01L
31/0475; H01L 31/0485; H01M 10/052;
H01M 10/465; H02S 30/10; H02S 30/20;
Y02E 10/50; Y02E 10/52; Y10S 136/291;
Y10S 136/293; H02J 7/35
See application file for complete search history.

(57) **CLAIM**

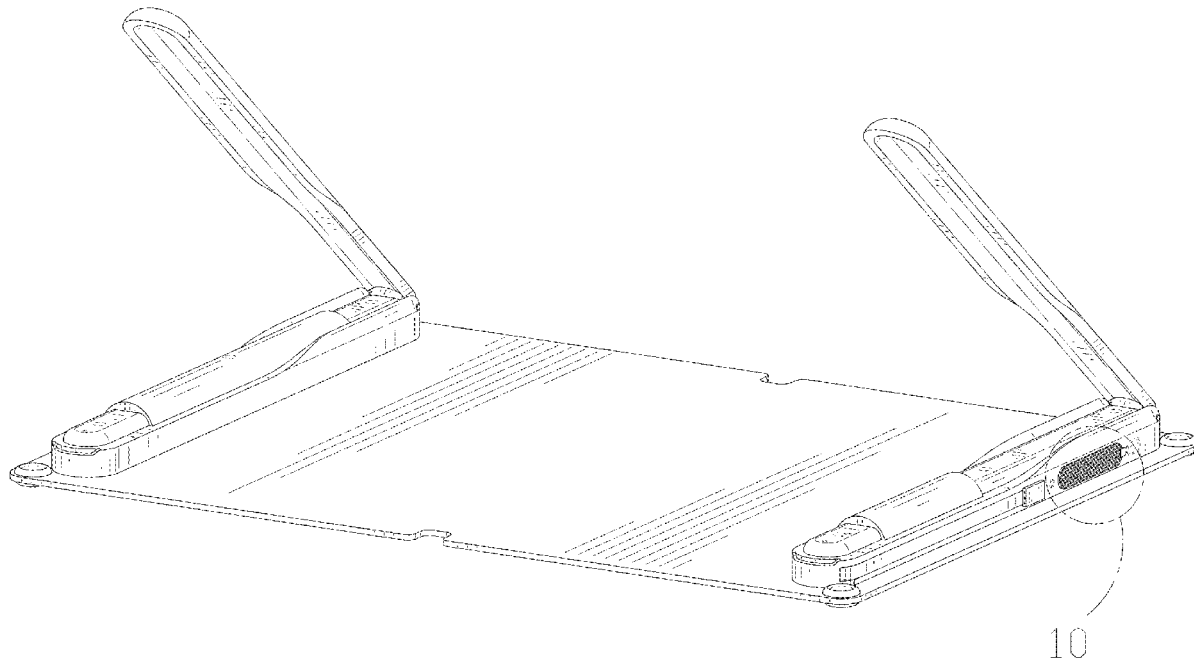
The ornamental design for a solar panel with bracket, as shown and described.

DESCRIPTION

FIG. 1 is a front, left and top perspective view of a solar panel with bracket, showing my design.
 FIG. 2 is a front, left and bottom perspective view thereof.
 FIG. 3 is a front elevation view thereof.
 FIG. 4 is a rear elevation view thereof.
 FIG. 5 is a left side elevation view thereof.
 FIG. 6 is a right side elevation view thereof.
 FIG. 7 is a top plan view thereof.
 FIG. 8 is a bottom plan view thereof.
 FIG. 9 is another front, right and top perspective view of the solar panel with bracket in a usable state; and,
 FIG. 10 is an enlarged view of detail 10 in FIG. 1.
 The broken lines depict portions of the solar panel with bracket that form no part of the claimed design. The dot-dash broken lines in FIGS. 1 and 10 depict the boundaries of the enlargements that form no part of the claimed design.

- (56) **References Cited**
U.S. PATENT DOCUMENTS
5,522,943 A * 6/1996 Spencer H01L 31/042
D13/102
D505,113 S * 5/2005 Lam D13/107
D671,885 S 12/2012 Steinau
9,450,126 B1 * 9/2016 Streett H01L 31/0475
D807,285 S * 1/2018 Krantz D13/102

1 Claim, 10 Drawing Sheets



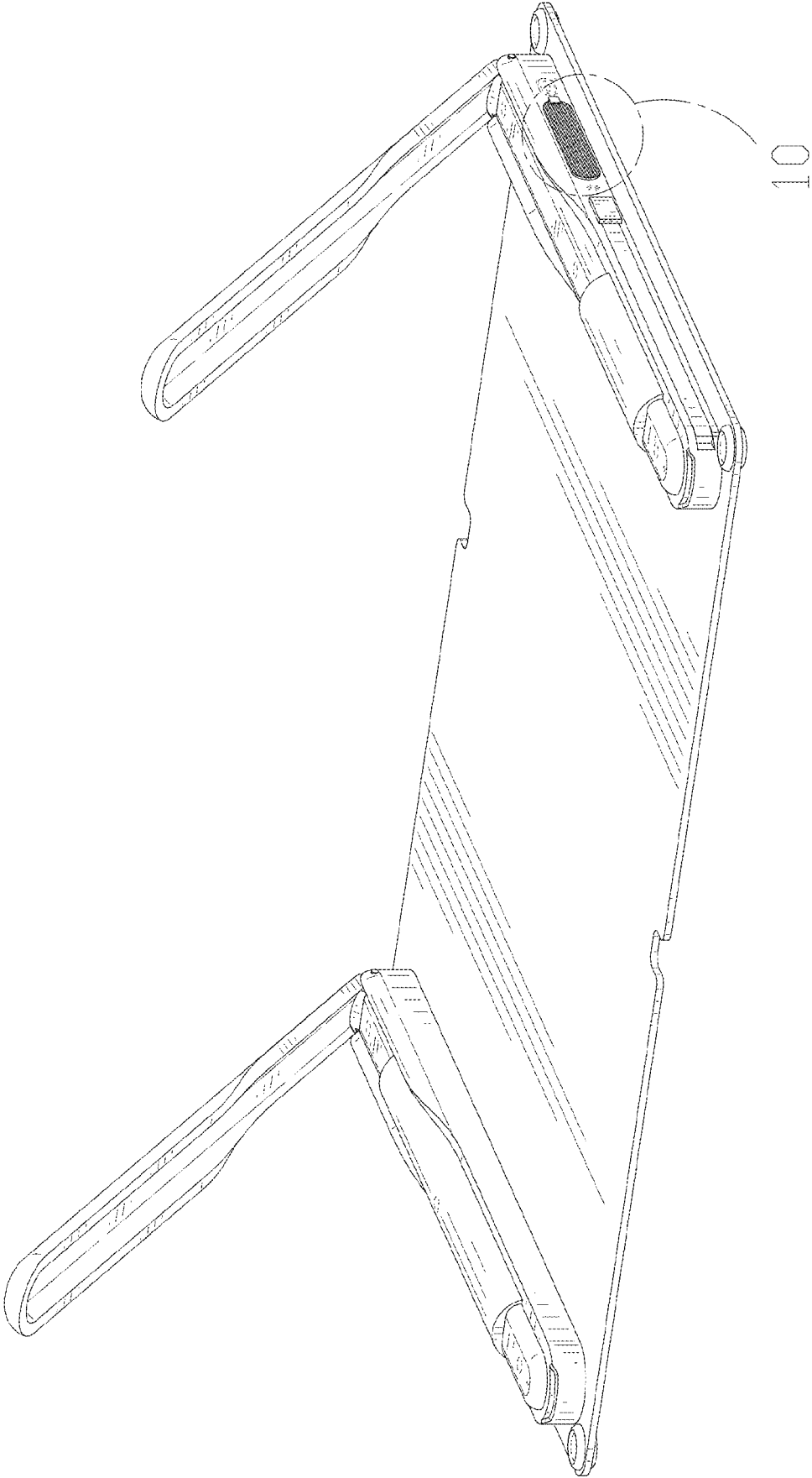


FIG. 1

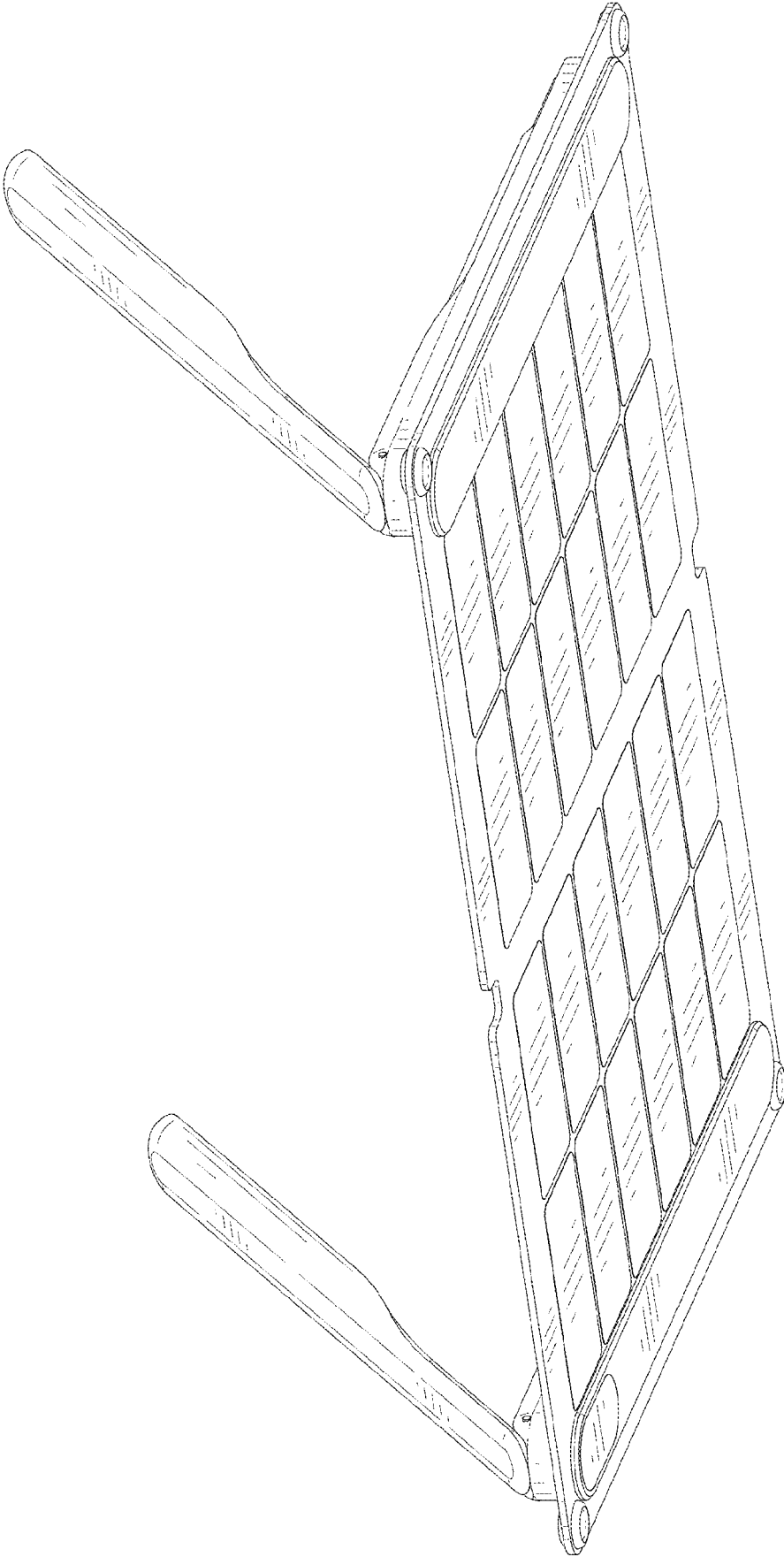


FIG. 2

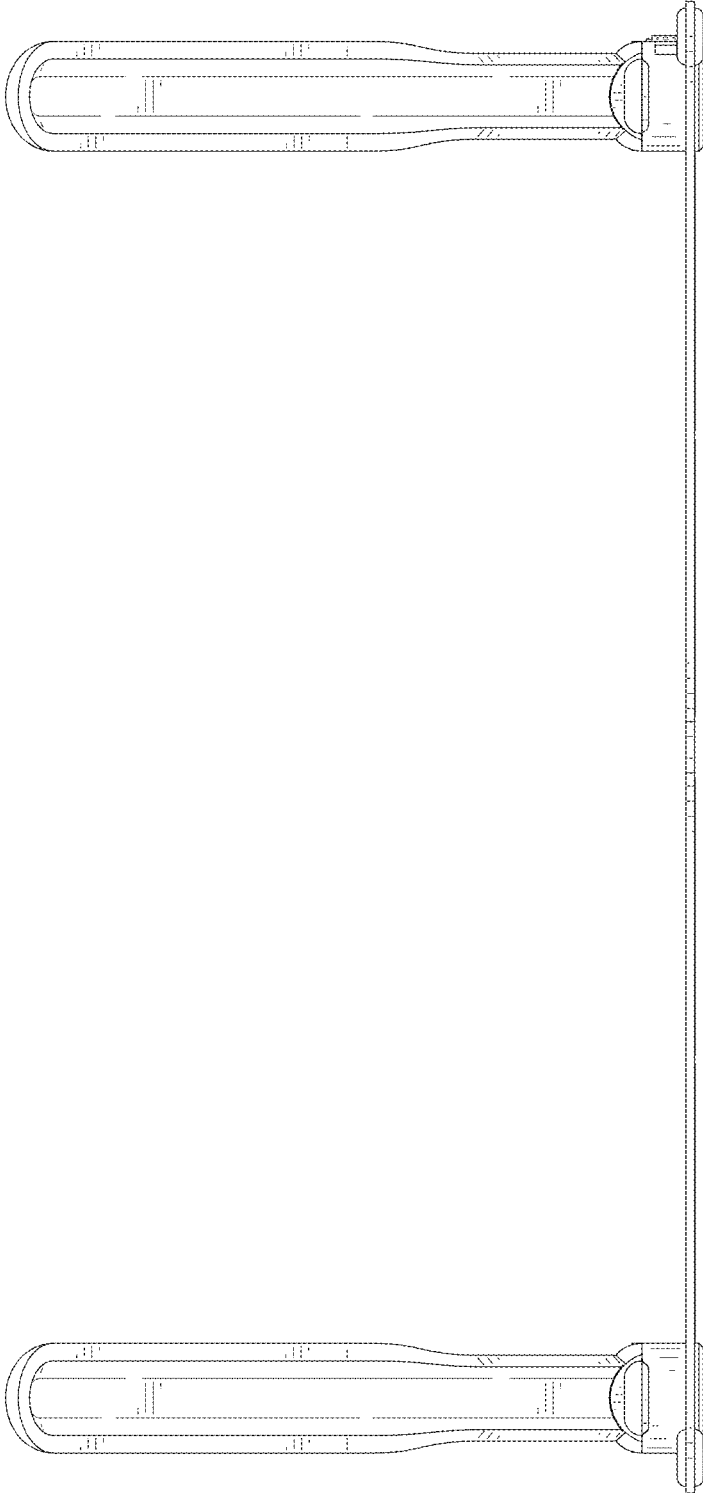


FIG. 3

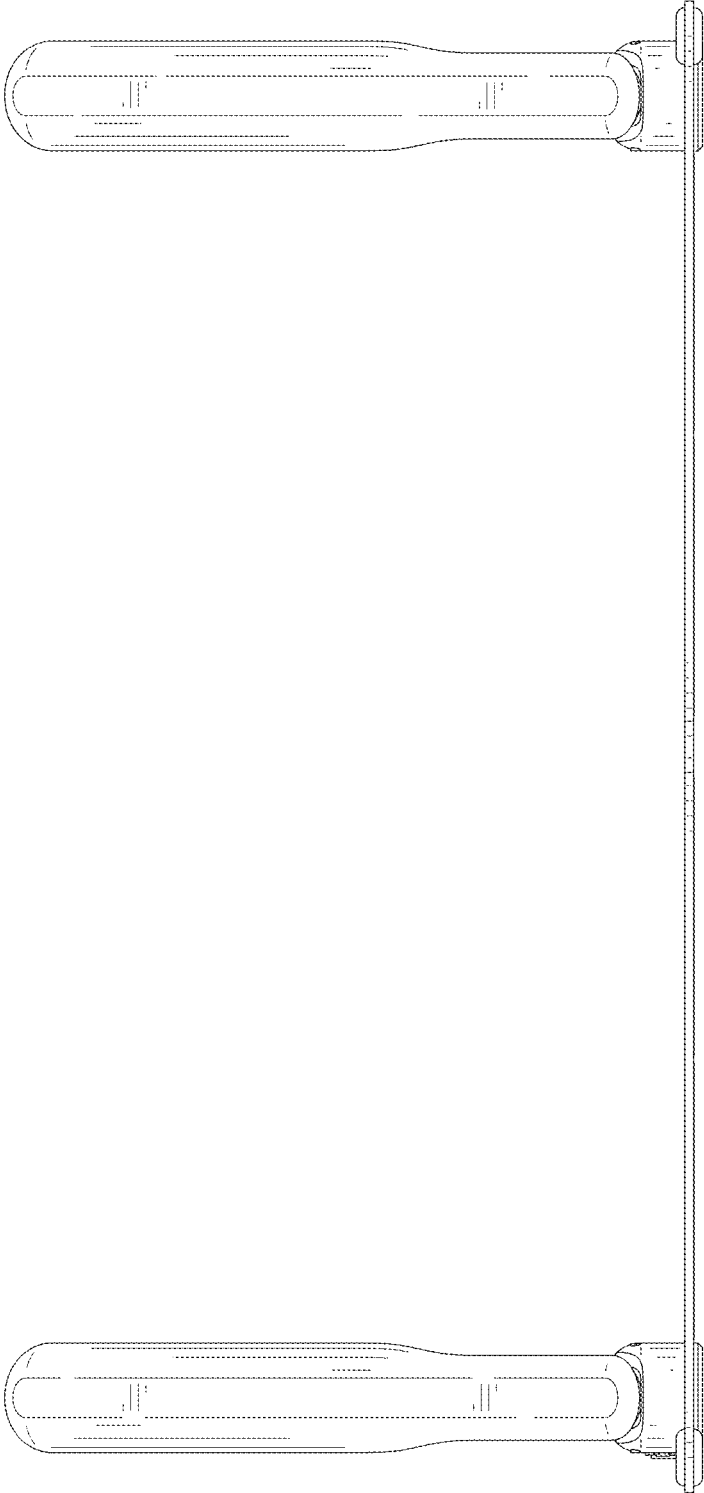


FIG. 4

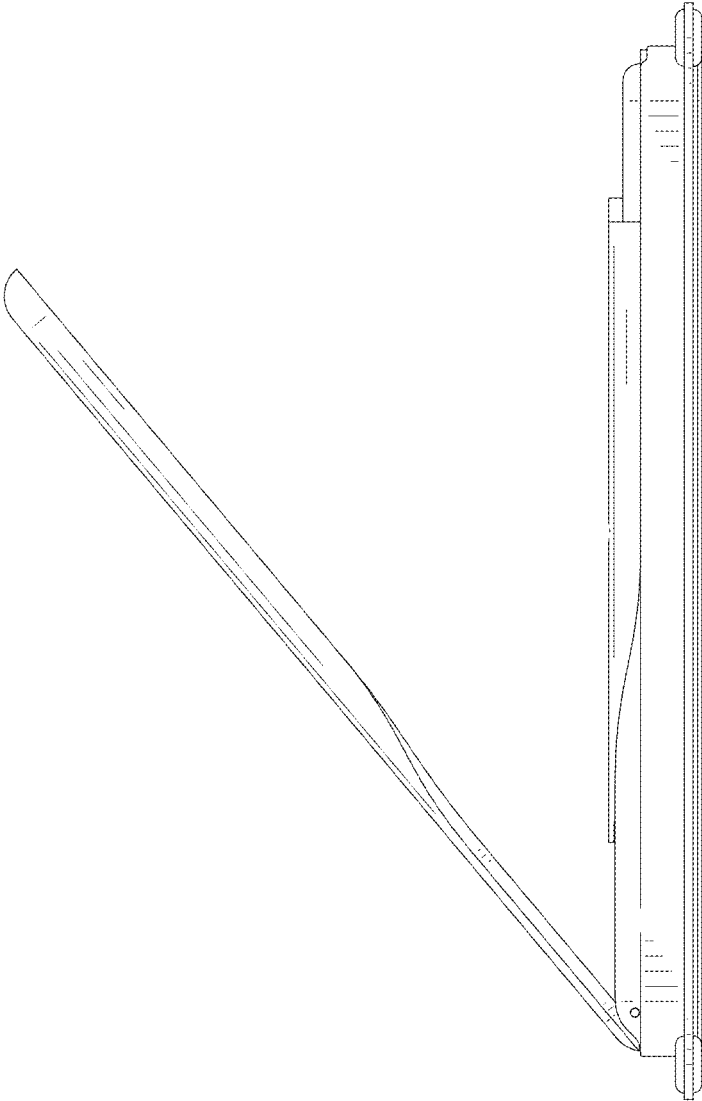


FIG. 5

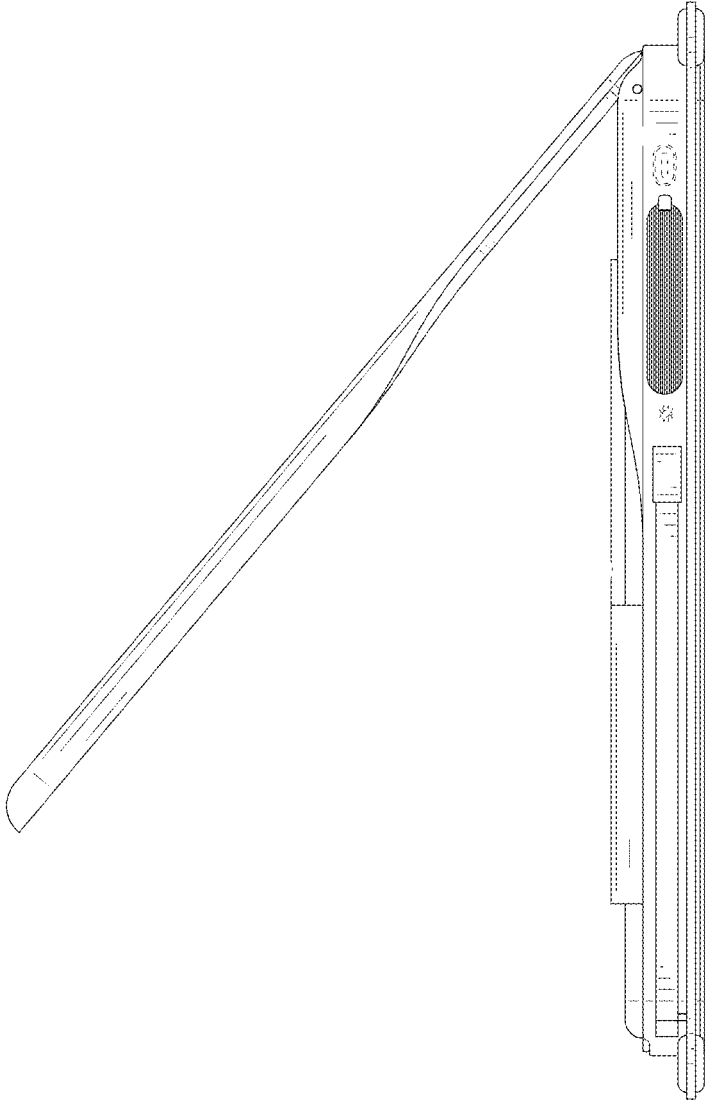


FIG. 6

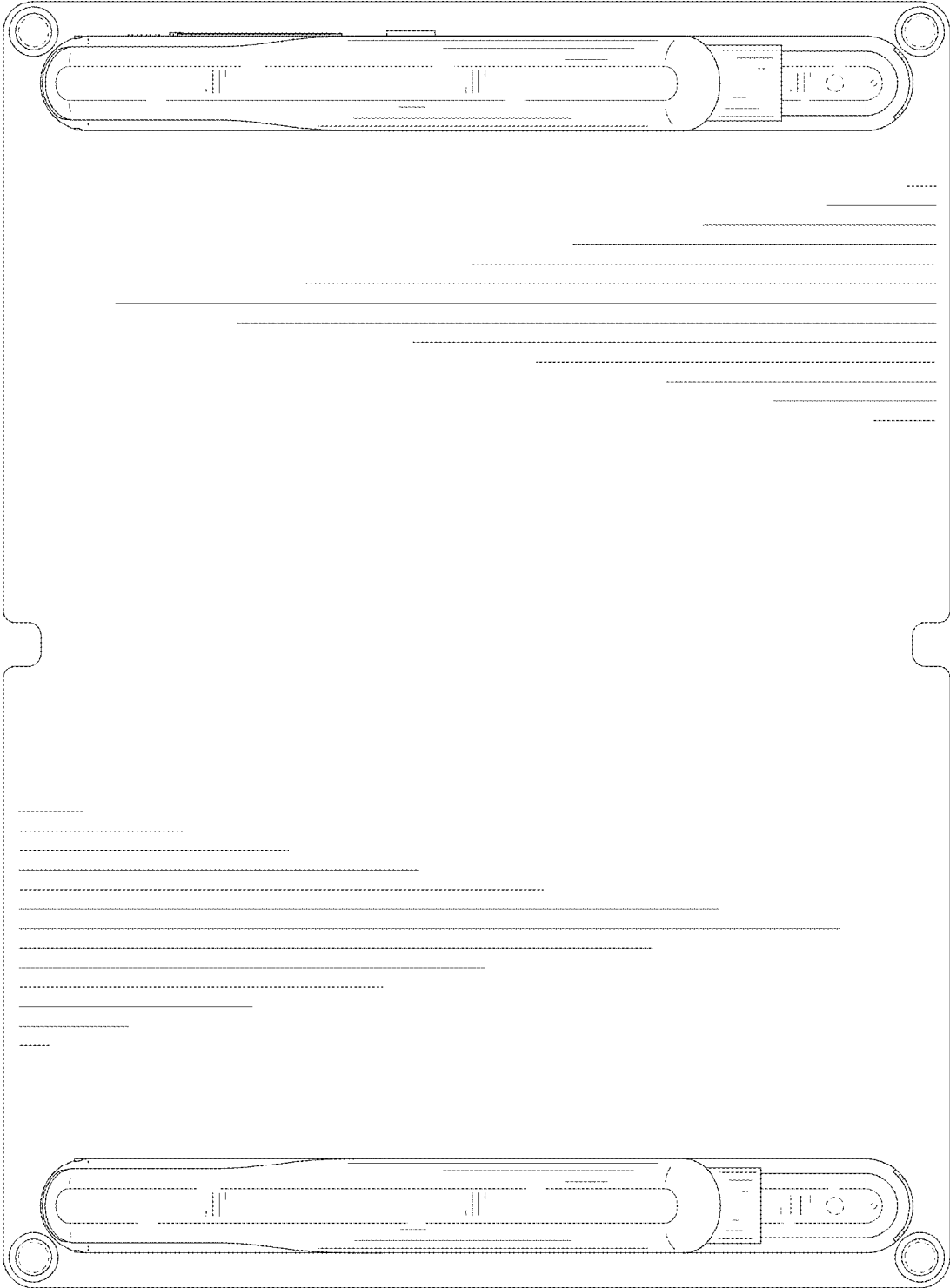


FIG. 7

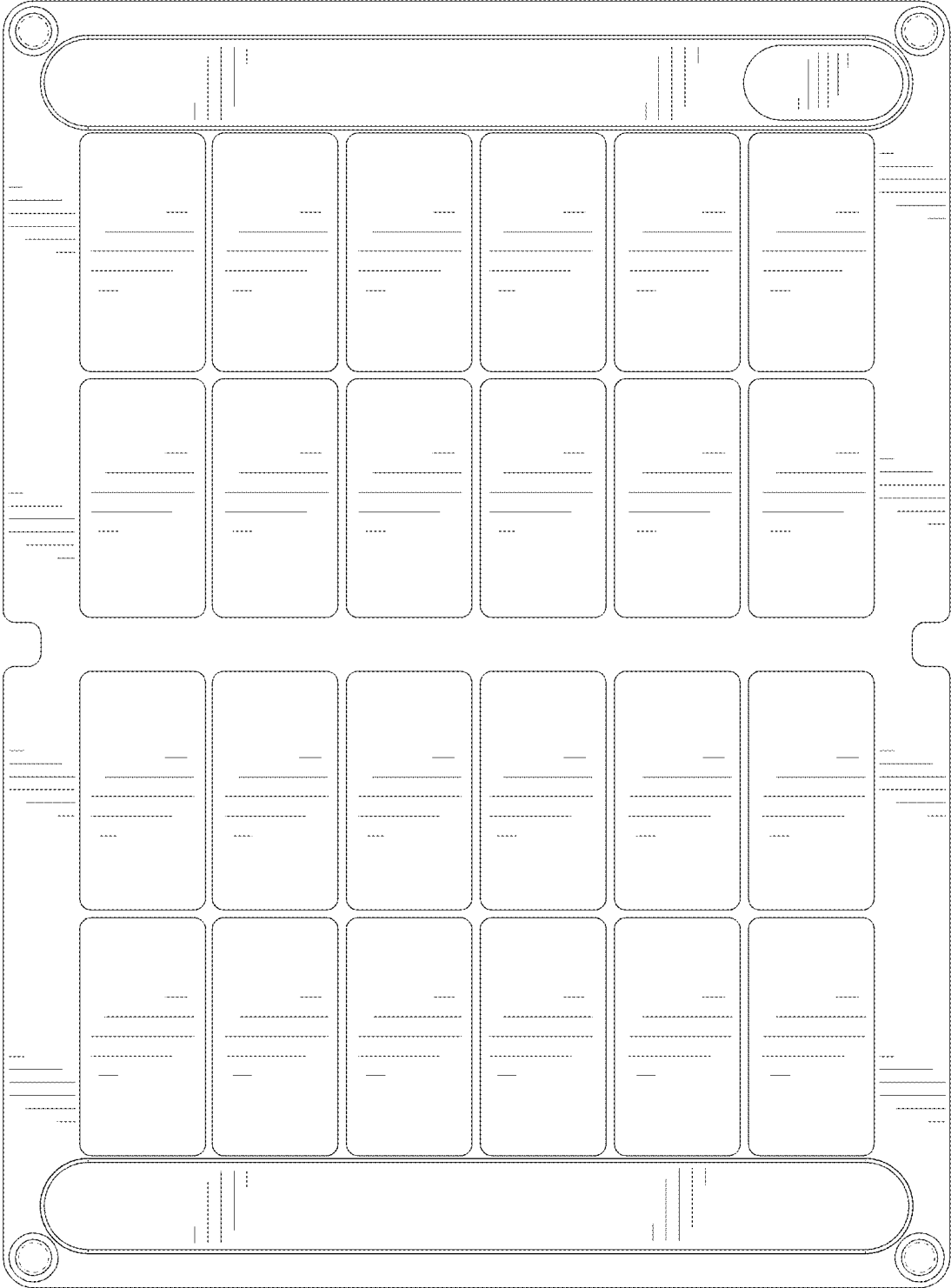


FIG. 8

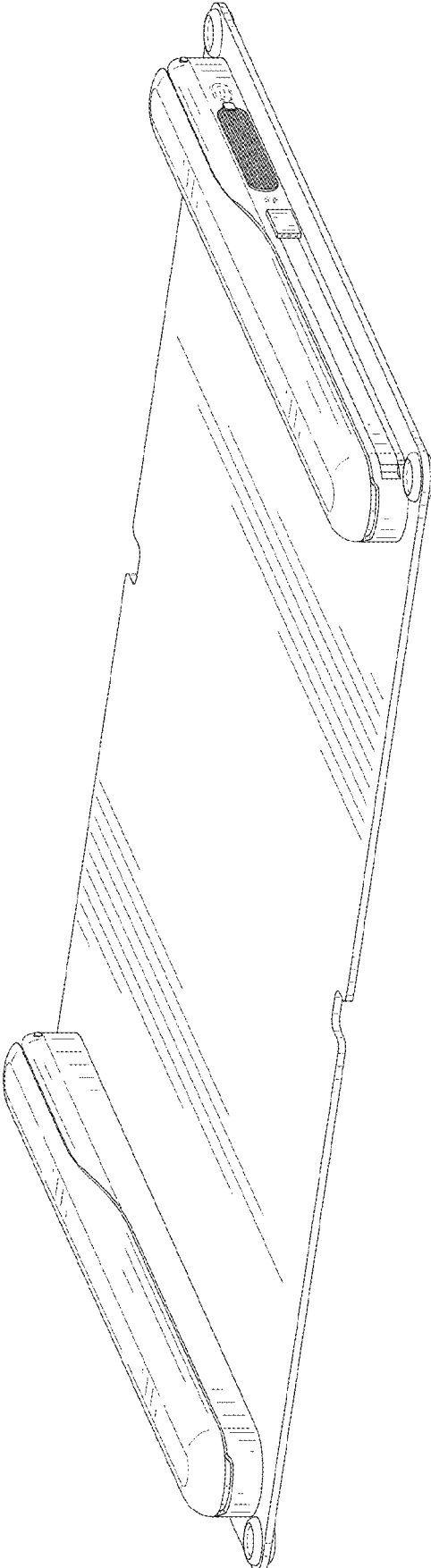


FIG. 9

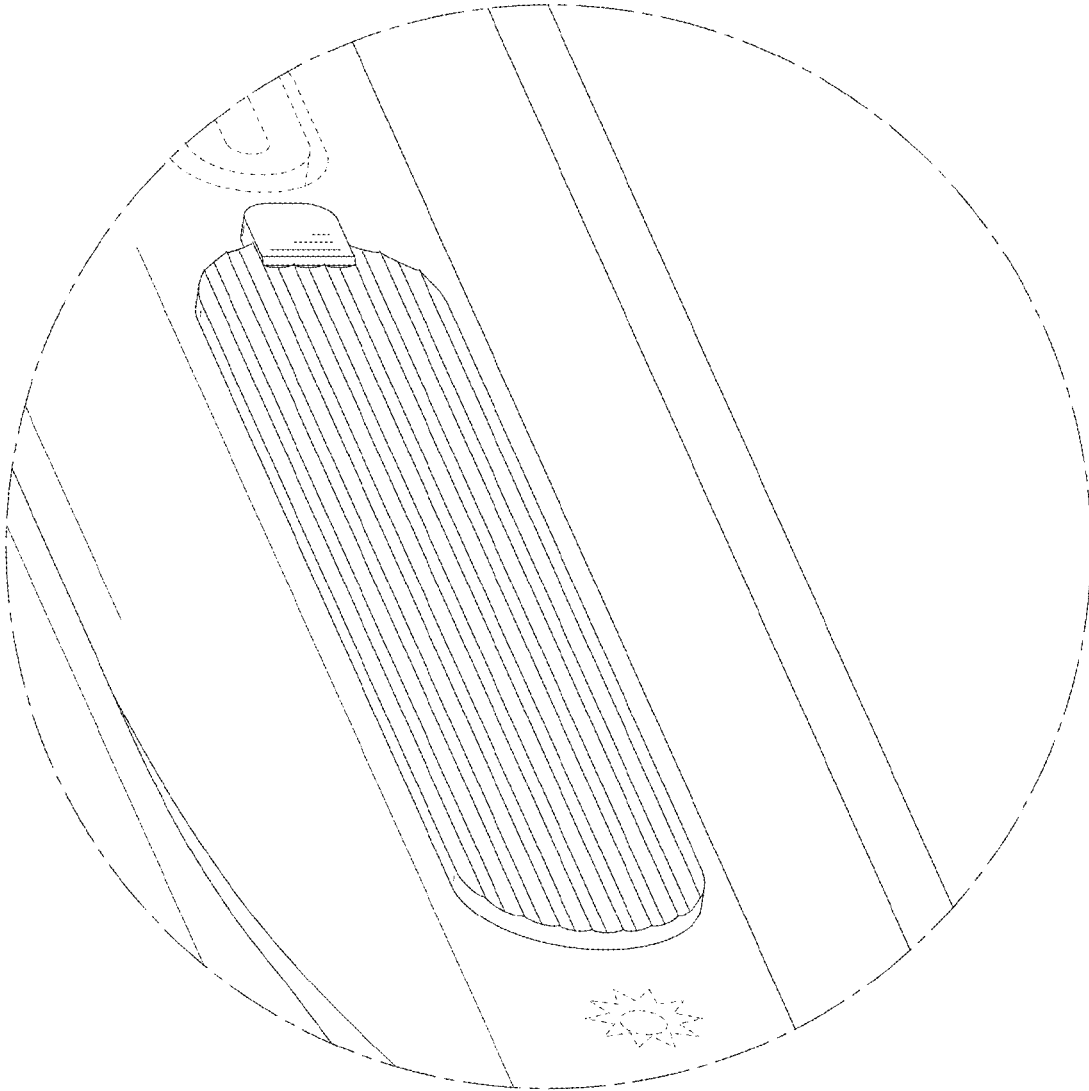


FIG. 10