



(51) International Patent Classification:
A61B 17/32 (2006.01)

(21) International Application Number:
PCT/US2018/033603

(22) International Filing Date:
21 May 2018 (21.05.2018)

(25) Filing Language: English

(26) Publication Language: English

(30) Priority Data:
62/509,351 22 May 2017 (22.05.2017) US
15/967,746 01 May 2018 (01.05.2018) US

(71) Applicant: ETHICON LLC [US/US]; #475 Street C, Suite 401, Los Frailes Industrial Park, Guaynabo 00969, Puerto Rico (US).

(72) Inventors: WEISENBURGH, William B., II; 4545 Creek Road, Cincinnati, Ohio 45242 (US). CORBETT, Catherine A.; 4545 Creek Road, Cincinnati, Ohio 45242 (US). LESKO, Jason R.; 4545 Creek Road, Cincinnati, Ohio 45242 (US). DAVIS, Craig T.; 4545 Creek Road, Cincinnati, Ohio 45242 (US).

(74) Agent: SHIRTZ, Joseph F. et al.; Johnson & Johnson, One Johnson & Johnson Plaza, New Brunswick, New Jersey 08933 (US).

(81) Designated States (unless otherwise indicated, for every kind of national protection available): AE, AG, AL, AM, AO, AT, AU, AZ, BA, BB, BG, BH, BN, BR, BW, BY, BZ, CA, CH, CL, CN, CO, CR, CU, CZ, DE, DJ, DK, DM, DO, DZ, EC, EE, EG, ES, FI, GB, GD, GE, GH, GM, GT, HN, HR, HU, ID, IL, IN, IR, IS, JO, JP, KE, KG, KH, KN, KP, KR, KW, KZ, LA, LC, LK, LR, LS, LU, LY, MA, MD, ME, MG, MK, MN, MW, MX, MY, MZ, NA, NG, NI, NO, NZ,

(54) Title: COMBINATION ULTRASONIC AND ELECTROSURGICAL INSTRUMENT HAVING SLIP RING ELECTRICAL CONTACT ASSEMBLY

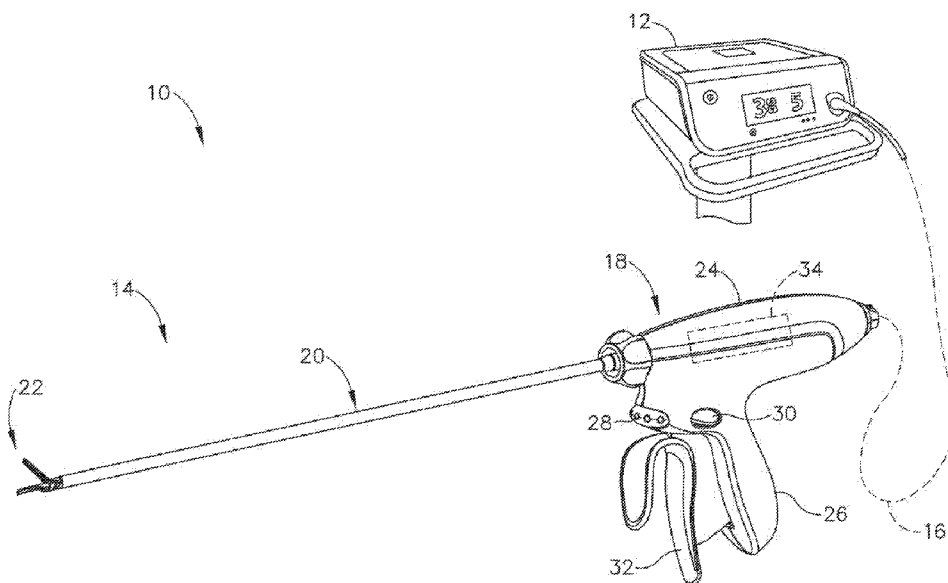


Fig.1

(57) Abstract: A surgical instrument includes a body, a shaft assembly rotatable relative to the body, and an end effector at a distal end of the shaft assembly and having an RF electrode operable to seal tissue with RF energy. An electrical contact assembly is arranged proximally of the end effector and is configured to electrically couple the RF electrode with an RF energy source. The electrical contact assembly includes a first electrical contact secured to the body and a second electrical contact secured to the shaft assembly. The first contact is configured to electrically couple with the RF energy source. The second contact is electrically coupled with the RF electrode and the first contact, and is configured to rotate with the shaft assembly relative to the first contact. The first and second electrical contacts are configured to remain electrically coupled throughout rotation of the shaft assembly relative to the body.

OM, PA, PE, PG, PH, PL, PT, QA, RO, RS, RU, RW, SA, SC, SD, SE, SG, SK, SL, SM, ST, SV, SY, TH, TJ, TM, TN, TR, TT, TZ, UA, UG, US, UZ, VC, VN, ZA, ZM, ZW.

- (84) Designated States** (*unless otherwise indicated, for every kind of regional protection available*): ARIPO (BW, GH, GM, KE, LR, LS, MW, MZ, NA, RW, SD, SL, ST, SZ, TZ, UG, ZM, ZW), Eurasian (AM, AZ, BY, KG, KZ, RU, TJ, TM), European (AL, AT, BE, BG, CH, CY, CZ, DE, DK, EE, ES, FI, FR, GB, GR, HR, HU, IE, IS, IT, LT, LU, LV, MC, MK, MT, NL, NO, PL, PT, RO, RS, SE, SI, SK, SM, TR), OAPI (BF, BJ, CF, CG, CI, CM, GA, GN, GQ, GW, KM, ML, MR, NE, SN, TD, TG).

Declarations under Rule 4.17:

- *as to applicant's entitlement to apply for and be granted a patent (Rule 4.17(ii))*
- *as to the applicant's entitlement to claim the priority of the earlier application (Rule 4.17(iii))*

Published:

- *without international search report and to be republished upon receipt of that report (Rule 48.2(g))*

- 1 -

COMBINATION ULTRASONIC AND ELECTROSURGICAL INSTRUMENT HAVING
SLIP RING ELECTRICAL CONTACT ASSEMBLY

[0001] This application claims the benefit of U.S. Provisional App. No. 62/509,351, entitled "Ultrasonic Instrument With Electrosurgical Features," filed May 22, 2017, the disclosure of which is incorporated by reference herein.

BACKGROUND

[0002] Ultrasonic surgical instruments utilize ultrasonic energy for both precise cutting and controlled coagulation of tissue. The ultrasonic energy cuts and coagulates by vibrating a blade in contact with the tissue. Vibrating at frequencies of approximately 50 kilohertz (kHz), for example, the ultrasonic blade denatures protein in the tissue to form a sticky coagulum. Pressure exerted on the tissue with the blade surface collapses blood vessels and allows the coagulum to form a hemostatic seal. The precision of cutting and coagulation may be controlled by the surgeon's technique and adjusting the power level, blade edge, tissue traction, and blade pressure, for example.

[0003] Examples of ultrasonic surgical devices include the HARMONIC ACE® Ultrasonic Shears, the HARMONIC WAVE® Ultrasonic Shears, the HARMONIC FOCUS® Ultrasonic Shears, and the HARMONIC SYNERGY® Ultrasonic Blades, all by Ethicon Endo-Surgery, Inc. of Cincinnati, Ohio. Further examples of such devices and related concepts are disclosed in U.S. Pat. No. 5,322,055, entitled "Clamp Coagulator/Cutting System for Ultrasonic Surgical Instruments," issued Jun. 21, 1994, the disclosure of which is incorporated by reference herein; U.S. Pat. No. 5,873,873, entitled "Ultrasonic Clamp Coagulator Apparatus Having Improved Clamp Mechanism," issued Feb. 23, 1999, the disclosure of which is incorporated by reference herein; U.S. Pat. No. 5,980,510, entitled "Ultrasonic Clamp Coagulator Apparatus Having Improved Clamp Arm Pivot Mount," issued Nov. 9, 1999, the disclosure of which is incorporated by reference herein; U.S. Pat.

- 2 -

No. 6,283,981, entitled "Method of Balancing Asymmetric Ultrasonic Surgical Blades," issued Sep. 4, 2001, the disclosure of which is incorporated by reference herein; U.S. Pat. No. 6,309,400, entitled "Curved Ultrasonic Blade having a Trapezoidal Cross Section," issued Oct. 30, 2001, the disclosure of which is incorporated by reference herein; U.S. Pat. No. 6,325,811, entitled "Blades with Functional Balance Asymmetries for use with Ultrasonic Surgical Instruments," issued Dec. 4, 2001, the disclosure of which is incorporated by reference herein; U.S. Pat. No. 6,423,082, entitled "Ultrasonic Surgical Blade with Improved Cutting and Coagulation Features," issued Jul. 23, 2002, the disclosure of which is incorporated by reference herein; U.S. Pat. No. 6,773,444, entitled "Blades with Functional Balance Asymmetries for Use with Ultrasonic Surgical Instruments," issued Aug. 10, 2004, the disclosure of which is incorporated by reference herein; U.S. Pat. No. 6,783,524, entitled "Robotic Surgical Tool with Ultrasound Cauterizing and Cutting Instrument," issued Aug. 31, 2004, the disclosure of which is incorporated by reference herein; U.S. Pat. No. 8,057,498, entitled "Ultrasonic Surgical Instrument Blades," issued Nov. 15, 2011, the disclosure of which is incorporated by reference herein; U.S. Pat. No. 8,461,744, entitled "Rotating Transducer Mount for Ultrasonic Surgical Instruments," issued Jun. 11, 2013, the disclosure of which is incorporated by reference herein; U.S. Pat. No. 8,591,536, entitled "Ultrasonic Surgical Instrument Blades," issued Nov. 26, 2013, the disclosure of which is incorporated by reference herein; U.S. Pat. No. 8,623,027, entitled "Ergonomic Surgical Instruments," issued Jan. 7, 2014, the disclosure of which is incorporated by reference herein; U.S. Pat. No. 9,095,367, entitled "Flexible Harmonic Waveguides/Blades for Surgical Instruments," issued Aug. 4, 2015, the disclosure of which is incorporated by reference herein; and U.S. Pub. No. 2016/0022305, entitled "Ultrasonic Blade Overmold," published Jan. 28, 2016, the disclosure of which is incorporated by reference herein.

[0004] Electrosurgical instruments utilize electrical energy for sealing tissue, and generally include a distally mounted end effector that can be configured for bipolar or monopolar operation. During bipolar operation, electrical current is provided through the tissue by active and return electrodes of the end effector. During monopolar operation, current is

- 3 -

provided through the tissue by an active electrode of the end effector and a return electrode (*e.g.*, a grounding pad) separately located on a patient's body. Heat generated by the current flowing through the tissue may form hemostatic seals within the tissue and/or between tissues, and thus may be particularly useful for sealing blood vessels, for example. The end effector of an electrosurgical device may also include a cutting member that is movable relative to the tissue and the electrodes to transect the tissue.

[0005] Electrical energy applied by an electrosurgical device can be transmitted to the instrument by a generator coupled with the instrument. The electrical energy may be in the form of radio frequency ("RF") energy, which is a form of electrical energy generally in the frequency range of approximately 300 kilohertz (kHz) to 1 megahertz (MHz). In use, an electrosurgical device can transmit lower frequency RF energy through tissue, which causes ionic agitation, or friction, in effect resistive heating, thereby increasing the temperature of the tissue. Because a sharp boundary is created between the affected tissue and the surrounding tissue, surgeons can operate with a high level of precision and control, without sacrificing un-targeted adjacent tissue. The low operating temperatures of RF energy may be useful for removing, shrinking, or sculpting soft tissue while simultaneously sealing blood vessels. RF energy works particularly well on connective tissue, which is primarily comprised of collagen and shrinks when contacted by heat.

[0006] An example of an RF electrosurgical device is the ENSEAL® Tissue Sealing Device by Ethicon Endo-Surgery, Inc., of Cincinnati, Ohio. Further examples of electrosurgical devices and related concepts are disclosed in U.S. Pat. No. 6,500,176 entitled "Electrosurgical Systems and Techniques for Sealing Tissue," issued Dec. 31, 2002, the disclosure of which is incorporated by reference herein; U.S. Pat. No. 7,112,201 entitled "Electrosurgical Instrument and Method of Use," issued Sep. 26, 2006, the disclosure of which is incorporated by reference herein; U.S. Pat. No. 7,125,409, entitled "Electrosurgical Working End for Controlled Energy Delivery," issued Oct. 24, 2006, the disclosure of which is incorporated by reference herein; U.S. Pat. No. 7,169,146 entitled "Electrosurgical Probe and Method of Use," issued Jan. 30, 2007, the disclosure of which

- 4 -

is incorporated by reference herein; U.S. Pat. No. 7,186,253, entitled “Electrosurgical Jaw Structure for Controlled Energy Delivery,” issued Mar. 6, 2007, the disclosure of which is incorporated by reference herein; U.S. Pat. No. 7,189,233, entitled “Electrosurgical Instrument,” issued Mar. 13, 2007, the disclosure of which is incorporated by reference herein; U.S. Pat. No. 7,220,951, entitled “Surgical Sealing Surfaces and Methods of Use,” issued May 22, 2007, the disclosure of which is incorporated by reference herein; U.S. Pat. No. 7,309,849, entitled “Polymer Compositions Exhibiting a PTC Property and Methods of Fabrication,” issued Dec. 18, 2007, the disclosure of which is incorporated by reference herein; U.S. Pat. No. 7,311,709, entitled “Electrosurgical Instrument and Method of Use,” issued Dec. 25, 2007, the disclosure of which is incorporated by reference herein; U.S. Pat. No. 7,354,440, entitled “Electrosurgical Instrument and Method of Use,” issued Apr. 8, 2008, the disclosure of which is incorporated by reference herein; U.S. Pat. No. 7,381,209, entitled “Electrosurgical Instrument,” issued Jun. 3, 2008, the disclosure of which is incorporated by reference herein.

[0007] Additional examples of electrosurgical devices and related concepts are disclosed in U.S. Pat. No. 8,939,974, entitled “Surgical Instrument Comprising First and Second Drive Systems Actuable by a Common Trigger Mechanism,” issued Jan. 27, 2015, the disclosure of which is incorporated by reference herein; U.S. Pat. No. 9,161,803, entitled “Motor Driven Electrosurgical Device with Mechanical and Electrical Feedback,” issued Oct. 20, 2015, the disclosure of which is incorporated by reference herein; U.S. Pub. No. 2012/0078243, entitled “Control Features for Articulating Surgical Device,” published Mar. 29, 2012, the disclosure of which is incorporated by reference herein; U.S. Pat. No. 9,402,682, entitled “Articulation Joint Features for Articulating Surgical Device,” issued Aug. 2, 2016, the disclosure of which is incorporated by reference herein; U.S. Pat. No. 9,089,327, entitled “Surgical Instrument with Multi-Phase Trigger Bias,” issued July 28, 2015, the disclosure of which is incorporated by reference herein; U.S. Pat. No. 9,545,253, entitled “Surgical Instrument with Contained Dual Helix Actuator Assembly,” issued Jan. 17, 2017, the disclosure of which is incorporated by reference herein; and U.S. Pat. No.

- 5 -

9,572,622, entitled "Bipolar Electrosurgical Features for Targeted Hemostasis," issued Feb. 21, 2017, the disclosure of which is incorporated by reference herein.

[0008] Some instruments may provide ultrasonic and RF energy treatment capabilities through a single surgical device. Examples of such devices and related methods and concepts are disclosed in U.S. Pat. No. 8,663,220, entitled "Ultrasonic Surgical Instruments," issued March 4, 2014, the disclosure of which is incorporated by reference herein; U.S. Pub. No. 2015/0141981, entitled "Ultrasonic Surgical Instrument with Electrosurgical Feature," published May 21, 2015, the disclosure of which is incorporated by reference herein; and U.S. Pub. No. 2017/0000541, entitled "Surgical Instrument with User Adaptable Techniques," published Jan. 5, 2017, the disclosure of which is incorporated by reference herein.

[0009] While various types of ultrasonic surgical instruments and electrosurgical instruments, including combination ultrasonic-electrosurgical instruments, have been made and used, it is believed that no one prior to the inventor(s) has made or used the invention described in the appended claims.

BRIEF DESCRIPTION OF THE DRAWINGS

[00010] The accompanying drawings, which are incorporated in and constitute a part of this specification, illustrate embodiments of the invention, and, together with the general description of the invention given above, and the detailed description of the embodiments given below, serve to explain the principles of the present invention.

[00011] FIG. 1 depicts a perspective view of an exemplary surgical system having a generator and a surgical instrument operable to treat tissue with ultrasonic energy and bipolar RF energy;

[00012] FIG. 2 depicts a top perspective view of an end effector of the surgical instrument of FIG. 1, having a clamp arm that provides a first electrode and an ultrasonic blade that provides a second electrode;

- 6 -

- [00013] FIG. 3 depicts a bottom perspective view of the end effector of FIG. 2;
- [00014] FIG. 4 depicts a partially exploded perspective view of the surgical instrument of FIG. 1;
- [00015] FIG. 5 depicts an enlarged exploded perspective view of a distal portion of the shaft assembly and the end effector of the surgical instrument of FIG. 1;
- [00016] FIG. 6 depicts a side elevational view of a distal portion of an inner tube of the shaft assembly of the surgical instrument of FIG. 1;
- [00017] FIG. 7 depicts a side elevational view of a handle assembly of the surgical instrument of FIG. 1, with a side portion of the body of the handle assembly omitted to expose internal components, including an actuation assembly having a trigger and an acoustic assembly having an ultrasonic transducer;
- [00018] FIG. 8 depicts a partial side sectional view of the surgical instrument of FIG. 1, showing coupling of the shaft assembly, including an ultrasonic waveguide, to the handle assembly;
- [00019] FIG. 9A depicts a schematic view of portions of the surgical system of FIG. 1, showing active and return paths of an ultrasonic electrical circuit and a bipolar RF electrical circuit passing through the surgical instrument;
- [00020] FIG. 9B depicts a schematic view of the end effector of the surgical instrument of FIG. 9A, showing the active path of the RF electrical circuit passing distally from the outer tube to the clamp arm into tissue, and the return path passing proximally from the tissue to the ultrasonic blade and into the waveguide;
- [00021] FIG. 10 depicts a perspective view of an electrical contact assembly configured to electrically couple a clamp arm electrode of the surgical instrument of FIG. 1 with an RF energy source;

- 7 -

[00022] FIG. 11 depicts a partially disassembled perspective schematic view of the electrical contact assembly of FIG. 10, having an outer contact member coupled to the handle assembly and an inner contact member coupled to the shaft assembly and a rotation knob;

[00023] FIG. 12 depicts a side sectional view of the electrical contact assembly of FIG. 10, showing engagement of the outer contact member with the inner contact member;

[00024] FIG. 13 depicts a perspective view of the outer contact member of the electrical contact assembly of FIG. 10, having first and second contact arms;

[00025] FIG. 14 depicts a side elevational view of the outer contact member of FIG. 13;

[00026] FIG. 15 depicts a perspective view of the inner contact member of the electrical contact assembly of FIG. 10, having a plurality of contact legs and a plurality of retention legs;

[00027] FIG. 16 depicts a rear elevational view of the inner contact member of FIG. 15; and

[00028] FIG. 17 depicts a side perspective view of the inner contact member of the electrical contact assembly of FIG. 10 mounted to the shaft assembly, showing engagement of the retention legs with a proximal collar of the rotation knob and engagement of a contact leg with the outer tube via slots formed in the proximal collar.

[00029] The drawings are not intended to be limiting in any way, and it is contemplated that various embodiments of the invention may be carried out in a variety of other ways, including those not necessarily depicted in the drawings. The accompanying drawings incorporated in and forming a part of the specification illustrate several aspects of the present invention, and together with the description serve to explain the principles of the invention; it being understood, however, that this invention is not limited to the precise arrangements shown.

DETAILED DESCRIPTION

[00030] The following description of certain examples of the invention should not be used to limit the scope of the present invention. Other examples, features, aspects, embodiments, and advantages of the invention will become apparent to those skilled in the art from the following description, which is by way of illustration, one of the best modes contemplated for carrying out the invention. As will be realized, the invention is capable of other different and obvious aspects, all without departing from the invention. Accordingly, the drawings and descriptions should be regarded as illustrative in nature and not restrictive.

[00031] For clarity of disclosure, the terms "proximal" and "distal" are defined herein relative to a surgeon, or other operator, grasping a surgical instrument having a distal surgical end effector. The term "proximal" refers to the position of an element arranged closer to the surgeon, and the term "distal" refers to the position of an element arranged closer to the surgical end effector of the surgical instrument and further away from the surgeon. Moreover, to the extent that spatial terms such as "upper," "lower," "vertical," "horizontal," or the like are used herein with reference to the drawings, it will be appreciated that such terms are used for exemplary description purposes only and are not intended to be limiting or absolute. In that regard, it will be understood that surgical instruments such as those disclosed herein may be used in a variety of orientations and positions not limited to those shown and described herein.

[00032] I. Exemplary Surgical System

[00033] FIG. 1 depicts an exemplary surgical system (10) including a generator (12) and a surgical instrument (14). Surgical instrument (14) is operatively coupled with the generator (12) via power cable (16). As described in greater detail below, generator (12) is operable to power surgical instrument (14) to deliver ultrasonic energy for cutting tissue, and electrosurgical bipolar RF energy (i.e., therapeutic levels of RF energy) for sealing tissue. In exemplary configurations, generator (12) is configured to power surgical instrument (14) to deliver ultrasonic energy and electrosurgical bipolar RF energy simultaneously.

[00034] A. Overview of Exemplary Surgical Instrument with Ultrasonic and Electrosurgical Features

[00035] Surgical instrument (14) of the present example comprises a handle assembly (18), a shaft assembly (20) extending distally from the handle assembly (18), and an end effector (22) arranged at a distal end of the shaft assembly (20). Handle assembly (18) comprises a body (24) including a pistol grip (26) and energy control buttons (28, 30) configured to be manipulated by a surgeon. A trigger (32) is coupled to a lower portion of body (24) and is pivotable toward and away from pistol grip (26) to selectively actuate end effector (22), as described in greater detail below. In other suitable variations of surgical instrument (14), handle assembly (18) may comprise a scissor grip configuration, for example. As described in greater detail below, an ultrasonic transducer (34) is housed internally within and supported by body (24). In other configurations, ultrasonic transducer (34) may be provided externally of body (24).

[00036] As shown in FIGS. 2 and 3, end effector (22) includes an ultrasonic blade (36) and a clamp arm (38) configured to selectively pivot toward and away from ultrasonic blade (36), for clamping tissue therebetween. Ultrasonic blade (36) is acoustically coupled with ultrasonic transducer (34), which is configured to drive (i.e., vibrate) ultrasonic blade (36) at ultrasonic frequencies for cutting and/or sealing tissue positioned in contact with ultrasonic blade (36). Clamp arm (38) is operatively coupled with trigger (32) such that clamp arm (38) is configured to pivot toward ultrasonic blade (36), to a closed position, in response to pivoting of trigger (32) toward pistol grip (26). Further, clamp arm (38) is configured to pivot away from ultrasonic blade (36), to an open position (see e.g., FIGS. 1-3), in response to pivoting of trigger (32) away from pistol grip (26). Various suitable ways in which clamp arm (38) may be coupled with trigger (32) will be apparent to those of ordinary skill in the art in view of the teachings provided herein. In some versions, one or more resilient members may be incorporated to bias clamp arm (38) and/or trigger (32) toward the open position.

[00037] A clamp pad (40) is secured to and extends distally along a clamping side of clamp arm (38), facing ultrasonic blade (36). Clamp pad (40) is configured to engage and clamp tissue against a corresponding tissue treatment portion of ultrasonic blade (36) when clamp arm (38) is actuated to its closed position. At least a clamping-side of clamp arm (38) provides a first electrode (42), referred to herein as clamp arm electrode (42). Additionally, at least a clamping-side of ultrasonic blade (36) provides a second electrode (44), referred to herein as a blade electrode (44). As described in greater detail below, electrodes (42, 44) are configured to apply electrosurgical bipolar RF energy, provided by generator (12), to tissue electrically coupled with electrodes (42, 44). Clamp arm electrode (42) may serve as an active electrode while blade electrode (44) serves as a return electrode, or vice-versa. Surgical instrument (14) may be configured to apply the electrosurgical bipolar RF energy through electrodes (42, 44) while vibrating ultrasonic blade (36) at an ultrasonic frequency, before vibrating ultrasonic blade (36) at an ultrasonic frequency, and/or after vibrating ultrasonic blade (36) at an ultrasonic frequency.

[00038] As shown in FIGS. 1-5, shaft assembly (20) extends along a longitudinal axis and includes an outer tube (46), an inner tube (48) received within outer tube (46), and an ultrasonic waveguide (50) supported within inner tube (48). As seen best in FIGS. 2-5, clamp arm (38) is coupled to distal ends of inner and outer tubes (46, 48). In particular, clamp arm (38) includes a pair of proximally extending clevis arms (52) that receive therebetween and pivotably couple to a distal end (54) of inner tube (48) with a pivot pin (56) received within through bores formed in clevis arms (52) and distal end (54) of inner tube (48). First and second clevis fingers (58) depend downwardly from clevis arms (52) and pivotably couple to a distal end (60) of outer tube (46). Specifically, each clevis finger (58) includes a protrusion (62) that is rotatably received within a corresponding opening (64) formed in a sidewall of distal end (60) of outer tube (46).

[00039] In the present example, inner tube (48) is longitudinally fixed relative to handle assembly (18), and outer tube (46) is configured to translate relative to inner tube (48) and handle assembly (18), along the longitudinal axis of shaft assembly (20). As outer tube

- 11 -

(46) translates distally, clamp arm (38) pivots about pivot pin (56) toward its open position. As outer tube (46) translates proximally, clamp arm (38) pivots in an opposite direction toward its closed position. As described below with reference to FIG. 7, a proximal end of outer tube (46) is operatively coupled with trigger (32), for example via a linkage assembly, such that actuation of trigger (32) causes translation of outer tube (46) relative to inner tube (48), thereby opening or closing clamp arm (38). In other suitable configurations not shown herein, outer tube (46) may be longitudinally fixed and inner tube (48) may be configured to translate for moving clamp arm (38) between its open and closed positions.

[00040] Shaft assembly (20) and end effector (22) are configured to rotate together about the longitudinal axis, relative to handle assembly (18). A retaining pin (66), shown in FIG. 4, extends transversely through proximal portions of outer tube (46), inner tube (48), and waveguide (50) to thereby couple these components rotationally relative to one another. In the present example, a rotation knob (68) is provided at a proximal end portion of shaft assembly (20) to facilitate rotation of shaft assembly (20), and end effector (22), relative to handle assembly (18). Rotation knob (68) is secured rotationally to shaft assembly (20) with retaining pin (66), which extends through a proximal collar of rotation knob (68). It will be appreciated that in other suitable configurations, rotation knob (68) may be omitted or substituted with alternative rotational actuation structures.

[00041] Ultrasonic waveguide (50) is acoustically coupled at its proximal end with ultrasonic transducer (34), for example by a threaded connection, and at its distal end with ultrasonic blade (36), as shown in FIG. 5. Ultrasonic blade (36) is shown formed integrally with waveguide (50) such that blade (36) extends distally, directly from the distal end of waveguide (50). In this manner, waveguide (50) acoustically couples ultrasonic transducer (34) with ultrasonic blade (36), and functions to communicate ultrasonic mechanical vibrations from transducer (34) to blade (36). Accordingly, ultrasonic transducer (34), waveguide (50), and ultrasonic blade (36) together define acoustic assembly (100). During use, ultrasonic blade (36) may be positioned in direct contact with tissue, with or without

- 12 -

assistive clamping force provided by clamp arm (38), to impart ultrasonic vibrational energy to the tissue and thereby cut and/or seal the tissue. For example, blade (36) may cut through tissue clamped between clamp arm (38) and a first treatment side of blade (36), or blade (36) may cut through tissue positioned in contact with an oppositely disposed second treatment side of blade (36), for example during a "back-cutting" movement. In some variations, waveguide (50) may amplify the ultrasonic vibrations delivered to blade (36). Further, waveguide (50) may include various features operable to control the gain of the vibrations, and/or features suitable to tune waveguide (50) to a selected resonant frequency. Additional exemplary features of ultrasonic blade (36) and waveguide (50) are described in greater detail below.

[00042] Waveguide (50) is supported within inner tube (48) by a plurality of nodal support elements (70) positioned along a length of waveguide (50), as shown in FIGS. 4 and 5. Specifically, nodal support elements (70) are positioned longitudinally along waveguide (50) at locations corresponding to acoustic nodes defined by the resonant ultrasonic vibrations communicated through waveguide (50). Nodal support elements (70) may provide structural support to waveguide (50), and acoustic isolation between waveguide (50) and inner and outer tubes (46, 48) of shaft assembly (20). In exemplary variations, nodal support elements (70) may comprise o-rings. Waveguide (50) is supported at its distal-most acoustic node by a nodal support element in the form of an overmold member (72), shown in FIG. 5. Waveguide (50) is secured longitudinally and rotationally within shaft assembly (20) by retaining pin (66), which passes through a transverse through-bore (74) formed at a proximally arranged acoustic node of waveguide (50), such as the proximal-most acoustic node, for example.

[00043] In the present example, a distal tip (76) of ultrasonic blade (36) is located at a position corresponding to an anti-node associated with the resonant ultrasonic vibrations communicated through waveguide (50). Such a configuration enables the acoustic assembly (100) of instrument (14) to be tuned to a preferred resonant frequency f_0 when ultrasonic blade (36) is not loaded by tissue. When ultrasonic transducer (34) is energized

- 13 -

by generator (12) to transmit mechanical vibrations through waveguide (50) to blade (36), distal tip (76) of blade (36) is caused to oscillate longitudinally in the range of approximately 20 to 120 microns peak-to-peak, for example, and in some instances in the range of approximately 20 to 50 microns, at a predetermined vibratory frequency f_0 of approximately 50 kHz, for example. When ultrasonic blade (36) is positioned in contact with tissue, the ultrasonic oscillation of blade (36) may simultaneously sever the tissue and denature the proteins in adjacent tissue cells, thereby providing a coagulative effect with minimal thermal spread.

[00044] As shown in FIG. 6, distal end (54) of inner tube (48) may be offset radially outwardly relative to a remaining proximal portion of inner tube (48). This configuration enables pivot pin bore (78), which receives clamp arm pivot pin (56), to be spaced further away from the longitudinal axis of shaft assembly (20) than if distal end (54) were formed flush with the remaining proximal portion of inner tube (48). Advantageously, this provides increased clearance between proximal portions of clamp arm electrode (42) and blade electrode (44), thereby mitigating risk of undesired "shorting" between electrodes (42, 44) and their corresponding active and return electrical paths, for example during back-cutting when ultrasonic blade (36) flexes toward clamp arm (38) and pivot pin (56) in response to normal force exerted on blade (36) by tissue. In other words, when ultrasonic blade (36) is used in a back-cutting operation, ultrasonic blade (36) may tend to deflect slightly away from the longitudinal axis of shaft assembly (20), toward pin (56). By having pivot pin bore (78) spaced further away from the longitudinal axis than pivot pin bore (78) otherwise would be in the absence of the radial offset provided by distal end (54) of the present example, distal end (54) provides additional lateral clearance between pivot pin (56) and ultrasonic blade (36), thereby reducing or eliminating the risk of contact between ultrasonic blade (36) and pivot pin (56) when ultrasonic blade (36) deflects laterally during back-cutting operations. In addition to preventing electrical short circuits that would otherwise result from contact between ultrasonic blade (36) and pivot pin (56) when end effector (22) is activated to apply RF electrosurgical energy, the additional clearance prevents mechanical damage that might otherwise result from contact between

- 14 -

ultrasonic blade (36) and pivot pin (56) when ultrasonic blade (36) is vibrating ultrasonically.

[00045] B. Exemplary Handle and Shaft Assemblies

[00046] FIG. 7 shows additional details of features housed within handle assembly (18) of surgical instrument (14), including an acoustic assembly (100) and an actuation assembly (102). Acoustic assembly (100) is described in greater detail below with reference to FIG. 9A. Actuation assembly (102) includes trigger (32) and a series of links that operatively couple trigger (32) with outer tube (46) and thus clamp arm (38), such that pivoting of trigger (32) relative to body (24) may cause pivoting of clamp arm (38) relative to ultrasonic blade (36). More specifically, trigger (32) is coupled to a first link (104) that pivots about pivot point (106). First link (104) is pivotably coupled at a medial elbow portion thereof to a distal end of a second link (108). Second link (108) is pivotably at its proximal end to a proximal arm (112) of a translating member (110). Arm (112) is rigidly connected at its distal end to a yoke (114) of translating member (110). Yoke (114) at least partially encircles and operatively couples with a proximal end of outer tube (46). In particular, yoke (114) abuts a distal end of a spring stack (116) that is retained on a cylindrical spring retainer (118) (see FIG. 8) by a proximal retaining nut (120). Spring stack (116) comprises a linearly arranged array of adjacent wave springs in this example. The spring retainer fixedly couples to a proximal end of outer tube (46).

[00047] As indicated by directional arrows in FIG. 7, squeezing trigger (32) toward pistol grip (26) actuates outer tube (46) proximally to thereby close clamp arm (38), and releasing trigger (32) enables outer tube to actuate distally to thereby open clamp arm (38). In particular, moving trigger (32) toward pistol grip (26) (e.g., by squeezing) causes first and second links (104, 108) to pivot about their respective pivot axes and drive translating member (110) proximally along the longitudinal axis of shaft assembly (20). Proximal movement of translating member (110) causes yoke (114) to compress spring stack (116) proximally against retaining nut (120), which drives spring retainer (118) and outer tube

- 15 -

(46) proximally. As described above, proximal translation of outer tube (46) causes clamp arm (38) to pivot toward its closed position.

[00048] In the present example, actuation assembly (102) further includes a compression spring (122) arranged at a proximal end of arm (112) of translating member (110), and which biases translating member (110) distally. When trigger (32) is released, compression spring (122) drives translating member distally so that yoke (114) engages a distal flange (124) of spring retainer (118). Because spring retainer (118) is fixed to outer tube (46), yoke (114) drives spring retainer and outer tube (46) distally together, which causes clamp arm (38) to return to its open position.

[00049] Though not shown herein, it will be appreciated that actuation assembly (102) may be supplemented or substituted with a motor assembly configured to provide powered actuation of clamp arm (38). Exemplary surgical devices incorporating motor assemblies are disclosed in U.S. Pat. Pub. No. 2014/0239037, entitled "Staple Forming Features for Surgical Stapling Instrument," published Aug. 28, 2014, the disclosure of which is incorporated by reference herein; U.S. Pat. Pub. No. 2015/0374360, entitled "Articulation Drive Features for Surgical Stapler," published Dec. 31, 2015, the disclosure of which is incorporated by reference herein; U.S. Pat. No. 8,602,288, entitled "Robotically-Controlled Motorized Surgical End Effector System with Rotary Actuated Closure Systems Having Variable Actuation Speeds," issued Dec. 10, 2013, incorporated by reference above; and U.S. Pat. No. 9,161,803, entitled "Motor Driven Electrosurgical Device with Mechanical and Electrical Feedback," issued Oct. 20, 2015, incorporated by reference above.

[00050] FIG. 8 shows additional details of shaft assembly (20) and select components of actuation assembly (102) described above, as well as a coupling of a proximal end of ultrasonic waveguide (50) to a distal end of ultrasonic transducer (34). As described above, outer tube (46) is configured to translate longitudinally relative to inner tube (48) and waveguide (50) to move clamp arm (38) between its open and closed positions. In the same configuration, retaining pin (66) extends transversely through a proximal collar (134)

- 16 -

of rotation knob (68) and through outer tube, inner tube, and waveguide (50) to thereby secure each of these components rotationally relative to one another, as described above. To accommodate longitudinal translation of outer tube (46) relative to the remaining components of shaft assembly (20), outer tube (46) includes a pair of elongate slots (136) through which retaining pin (66) extends, as shown in FIG. 8. Further, a proximal portion of inner tube (48) may be supported radially within outer tube (46) by a tube support element (138).

[00051] In the present example, spring stack (116) is configured to provide a force-limiting feature, such that spring stack (116) resists compression and thereby transfers proximal motion from yoke (114) to outer tube (46) via retaining nut (120) when yoke (114) is driven to actuate outer tube (46) proximally up to a certain force threshold. When clamp arm (38) encounters substantial resistance to further pivotal movement toward ultrasonic blade (36), outer tube (46) will correspondingly provide substantial resistance to further proximal movement, and such resistance will be further provided via retaining nut (120). When this resistance exceeds the predetermined force threshold, and the operator continues to urge trigger (32) toward pistol grip (26), spring stack (116) will begin to compress in response to further proximal motion of yoke (114) while retaining nut (120) and outer tube (46) remain stationary. Spring stack (116) thus absorbs forces that are exerted above the force threshold. Retaining nut (120) may be selectively rotated relative to sleeve (126), via threaded engagement, to compress spring stack (116) against yoke (114) with a desired amount of pre-load. Retaining nut (120) thereby enables adjustability of the predetermined force threshold by allowing adjustment of the pre-load.

[00052] C. Exemplary Ultrasonic and Bipolar RF Electrical Circuits

[00053] FIGS. 9A and 9B show an exemplary configuration of an ultrasonic electrical circuit (140) and a bipolar RF electrical circuit (142) of surgical instrument (14). As shown in FIG. 9A, generator (12) of surgical system (10) is electrically coupled with and configured to energize each of the electrical circuits (140, 142) to thereby enable surgical instrument (14) to deliver ultrasonic energy and electrosurgical bipolar RF energy to tissue.

- 17 -

In various examples, generator (12) may energize ultrasonic electrical circuit (140) and RF electrical circuit (142) simultaneously or in selective, alternating manners. Structural components of ultrasonic electrical circuit (140) and bipolar RF electrical circuit (142) are described below, in respective order, followed by a description of electrical current flow through the circuits (140, 142). As will be described, electrical circuits (140, 142) may share a common electrical return path.

[00054] As described above, acoustic assembly (100) of surgical instrument (14) generally includes ultrasonic transducer (34), ultrasonic waveguide (50), and ultrasonic blade (36). As shown in FIG. 9A, ultrasonic transducer (34) of the present example generally includes a first resonator (or "end-bell") (144), a conically shaped second resonator (or "fore-bell") (146), and a transduction portion arranged between end-bell (144) and fore-bell (146) and comprising a plurality of piezoelectric elements (148). A compression bolt (150) extends distally, coaxially through end-bell (144) and piezoelectric elements (148), and is threadedly received within a proximal end of fore-bell (146). A velocity transformer (152) (or "horn") extends distally from fore-bell (146) and couples with a proximal end of ultrasonic waveguide (50), for example via a threaded connection as shown in FIG. 9A. In exemplary versions, ultrasonic transducer (34) may be further configured in accordance with any of the transducer configurations disclosed in the references incorporated by reference herein.

[00055] An active transducer electrode (154) is shown arranged between medial and proximal piezoelectric elements (148), and electrically couples with generator (12) via an active transducer lead (156). A return transducer electrode (158) is shown arranged between end-bell (144) and a proximal piezoelectric element (148), and electrically couples with generator (12) via a return transducer lead (160). An active RF lead (162) is electrically coupled with generator (12), and is shown extending from a proximal portion of outer tube (46). It will be understood that the positioning of active RF lead (162) relative to shaft assembly (20) is exemplary only, and that generator (12) may electrically couple with RF electrical circuit (142) at any suitable location along outer tube (46), or

- 18 -

alternatively directly at clamp arm (38) so as to bypass outer tube (46), for example. Moreover, in other examples, active RF lead (162) may electrically couple with inner tube (48) instead of outer tube (46), such that RF electrical circuit (142) passes through inner tube (48) instead of outer tube (46).

[00056] As shown in FIG. 9A, ultrasonic electrical circuit (140) includes an active electrical path that passes distally through active transducer lead (156) to active transducer electrode (154) and into piezoelectric elements (148). Ultrasonic electrical circuit (140) further includes a return electrical path that passes proximally from piezoelectric elements (148), through return transducer electrode (158) to return transducer lead (160). Generator (12) directs electrical current through the active electrical path to the return electrical path to thereby energize ultrasonic transducer (34) to produce ultrasonic mechanical vibrations, which are communicated via ultrasonic waveguide (50) to ultrasonic blade (36).

[00057] As shown in FIGS. 9A and 9B, RF electrical circuit (142) includes an active RF path that passes from active RF lead (162) to outer tube (46), and distally through outer tube (46) to clamp arm (38) via clevis fingers (58). In the present example, flow of RF electrical energy through the RF active path is enabled by electrical coupling of outer tube (46) with clamp arm (38), for example by metal-to-metal contact. The active RF energy flows from clevis arms (52) into clamp arm electrode (42), and then into tissue (164). As described in greater detail below, clamp arm electrode (42) may be in the form of a clamping-side surface of clamp arm (38), formed integrally with and thereby electrically coupled with the remainder of clamp arm (38). In various examples, the entirety of clamp arm (38), including or not including clamp pad (40), may be formed of an electrically conductive material, such as a metal, such that the entire clamp arm (38) serves as the clamp arm electrode (42).

[00058] RF electrical circuit (142) further includes a return electrical path that directs RF energy proximally from end effector (22) to handle assembly (18), via ultrasonic waveguide (50). As shown in FIG. 9B, when tissue (164) is electrically coupled with clamp arm electrode (42) and blade electrode (44) simultaneously, for example by direct

- 19 -

or indirect contact, RF energy passes from the active RF path, through tissue (164), to the return RF path, via blade electrode (44). From blade electrode (44), the RF energy returns proximally through waveguide (50) and passes into ultrasonic transducer (34), as described further below. In this manner, tissue (164) is treated with bipolar RF energy provided by generator (12).

[00059] In exemplary configurations, blade electrode (44) may be defined by a selected clamping-side surface of ultrasonic blade (36). In other configurations, the entirety of ultrasonic blade (36) may serve as blade electrode (44). In various such configurations, blade electrode (44) is electrically coupled with ultrasonic blade (36), which is electrically coupled with ultrasonic waveguide (50), which in turn is electrically coupled with ultrasonic transducer (34). Accordingly, within the RF return path, RF energy passes proximally from blade electrode (44), through ultrasonic blade (36) to ultrasonic waveguide (50), and ultimately to ultrasonic transducer (34). As shown in FIG. 9A, upon entering ultrasonic transducer (34), the return RF energy passes proximally through fore-bell (146) and compression bolt (150), and from compression bolt (150) through end-bell (144) to return transducer electrode (158), and to return transducer lead (160). Accordingly, RF electrical circuit (142) and ultrasonic electrical circuit (140) share a common electrical return path through return transducer electrode (158) and return transducer lead (160).

[00060] While the exemplary configuration described above employs clamp arm electrode (42) as an active electrode and blade electrode (44) as a return electrode, it will be appreciated that a reverse designation may be employed, in which blade electrode (44) is an active electrode and clamp arm electrode (42) is a return electrode. In such a configuration, the ultrasonic electrical circuit (140) and RF electrical circuit (142) would share a common active electrical path through transducer lead (160) and transducer electrode (158) back to generator (12). Furthermore, in alternative arrangements, RF electrical circuit (142) may pass through inner tube (48) rather than outer tube (46), or RF electrical circuit (142) may bypass inner and outer tubes (46, 48) all together.

- 20 -

[00061] As described above, generator (12) may be configured to energize ultrasonic electrical circuit (140) and RF electrical circuit (142) simultaneously, to enable surgical instrument (14) to treat tissue with simultaneous application of ultrasonic energy and electrosurgical bipolar RF energy. Additionally, or alternatively, generator (12) may be configured to energize ultrasonic electrical circuit (140) and RF electrical circuit (142) in alternating manners, to allow for selective application of only one of ultrasonic energy or bipolar RF energy to tissue at a given time. For instance, generator (12) may energize only RF electrical circuit (142) for sealing tissue with bipolar RF energy, leaving ultrasonic blade (36) inactive. Alternatively, generator (12) may energize only ultrasonic electrical circuit (140) for cutting and/or sealing tissue with ultrasonic energy, leaving RF electrodes (42, 44) inactive.

[00062] Surgical instrument (14) may include various features for inhibiting undesired electrical shorting of the RF active path and the RF return path of RF electrical circuit (142), for example at locations proximal of clamp arm electrode (42) and blade electrode (44). For instance, retaining pin (66) shown in FIG. 9A may be encased in an electrically insulative sheath (166) that prevents shorting between outer tube (46) and ultrasonic waveguide (50). Similarly, clamp arm pivot pin (56) shown in FIG. 9B may be encased in an electrically insulative sheath that prevents transfer of electrical energy from clamp arm (38) to inner tube (48), which encases ultrasonic waveguide (50). Further, select portions of ultrasonic blade (36), ultrasonic waveguide (50), outer tube (46), and/or inner tube (48) may be coated with a layer of electrically insulative material configured to prevent shorting of RF electrical circuit (142).

[00063] D. Exemplary Slip Ring Electrical Contact Assembly

[00064] FIGS. 10-12 show an exemplary electrical contact assembly (170) configured to transfer RF energy through the active path of RF electrical circuit (142). In particular, electrical contact assembly (170) is configured to transfer RF energy from active RF lead (162) to a proximal end portion of outer tube (46), which then directs the RF energy toward clamp arm electrode (42) as described above. Electrical contact assembly (170) of the

- 21 -

present example is shown in the form of a slip ring contact assembly having an outer clip contact (172) and an inner ring contact (174) that is received by and electrically couples with outer clip contact (172), for example by direct contact. Outer clip contact (172) is mounted to an inner sidewall of device body (24), and inner ring contact (174) encircles and is mounted to a proximal collar (134) of rotation knob (68) so as to encircle a proximal end portion of outer tube (46). As described below, outer clip contact (172) is electrically coupled with active RF lead (162), and inner ring contact (174) is electrically coupled with outer tube (46).

[00065] As shown in FIGS. 13 and 14, outer clip contact (172) includes a base plate (176) and first and second contact arms (178) projecting outwardly from base plate (176). Base plate (176) is configured to be rigidly secured to or otherwise within device body (24), for example by thermal welds, as shown in FIG. 11. Base plate (176) may be secured to body (24) using a variety of other suitable securement methods and mechanisms known in the art, such as press-fit engagement, snap-fit engagement, insert molding, or adhesives, for example. Contact arms (178) are resiliently biased toward a center portion of base plate (176), and thus toward inner ring contact (174). Accordingly, outer clip contact (172) is configured to securely engage and maintain continuous direct contact with inner ring contact (174) while ring contact (174) rotates with rotation knob (68) and shaft assembly (20) relative to handle assembly (18), for example for up to or more than 360 degrees of rotation.

[00066] As shown in FIGS. 15 and 16, inner ring contact (174) includes an annular body (180) and a plurality of circumferentially spaced contact legs (182) projecting proximally from a side edge of annular body (180). As shown in FIGS. 11 and 12, annular body (180) is sized to encircle proximal collar (134) of rotation knob (68). Each contact leg (182) is resiliently biased toward a central axis of annular body (180), and thus toward outer tube (46), so as to securely engage and maintain continuous direct electrical contact with outer tube (46) while outer tube (46) translates relative to rotation knob (68) and inner ring contact (174). As shown in FIGS. 11 and 17, proximal collar (134) of rotation knob (68)

- 22 -

includes a plurality of axially extending slots (184) through which contact legs (182) project to contact and electrically couple with outer tube (46).

[00067] Inner ring contact (174) further includes first and second retaining legs (186) spaced alternatingly among contact legs (182). Each retaining leg (186) is received within a corresponding recess (188) formed in proximal collar (134) of rotation knob (68), thereby rotationally coupling inner ring contact (174) with rotation knob (68). Retaining legs (186) may also function to restrain inner ring contact (174) proximally, while a flange (190) of rotation knob (68) restrains inner ring contact (174) distally. While inner ring contact (174) is shown having three contact legs (182) and two retaining legs (186), it will be understood that any suitable quantity of legs (182, 186), and corresponding quantity of slots (184) and recesses (188), may be provided. In addition, the spacing of legs (182, 186), as best seen in FIG. 16, is not angularly equidistant. This spacing provides accommodation for retaining pin (66), described above, between retaining legs (186) and adjacent contact legs (182). Other suitable spacings and arrangements will be apparent to those of ordinary skill in the art in view of the teachings herein.

[00068] Those of ordinary skill in the art will recognize that, while shaft assembly (20) is rotated relative to handle assembly (18), inner ring contact (174) rotates with outer tube (46) while contact arms (178) of outer clip contact (172) maintain sliding contact with inner ring contact (174), such that contacts (172, 174) maintain electrical continuity between active RF lead (162) and outer tube (46). Thus, electrical contact assembly (170) maintains electrical continuity between active RF lead (162) and outer tube (46) as shaft assembly (20) is rotated up to and beyond 360 degrees of angular motion about the longitudinal axis of shaft assembly (20). Moreover, as outer tube (46) is translated longitudinally to actuate clamp arm (38), contact legs (182) of inner ring contact (174) maintain sliding contact with outer tube (46), such that contacts (172, 174) maintain electrical continuity between active RF lead (162) and outer tube (46). Thus, electrical contact assembly (170) maintains electrical continuity between active RF lead (162) and

- 23 -

outer tube (46) as outer tube (46) reciprocates axially to actuate clamp arm (38) relative to ultrasonic blade (36).

[00069] II. Exemplary Combinations

[00070] The following examples relate to various non-exhaustive ways in which the teachings herein may be combined or applied. It should be understood that the following examples are not intended to restrict the coverage of any claims that may be presented at any time in this application or in subsequent filings of this application. No disclaimer is intended. The following examples are being provided for nothing more than merely illustrative purposes. It is contemplated that the various teachings herein may be arranged and applied in numerous other ways. It is also contemplated that some variations may omit certain features referred to in the below examples. Therefore, none of the aspects or features referred to below should be deemed critical unless otherwise explicitly indicated as such at a later date by the inventors or by a successor in interest to the inventors. If any claims are presented in this application or in subsequent filings related to this application that include additional features beyond those referred to below, those additional features shall not be presumed to have been added for any reason relating to patentability.

[00071] Example 1

[00072] A surgical instrument comprising: (a) a body; (b) a shaft assembly extending distally from the body along a longitudinal axis, wherein the shaft assembly is rotatable relative to the body about the longitudinal axis; (c) an end effector arranged at a distal end of the shaft assembly, wherein the end effector includes an RF electrode operable to seal tissue with RF energy; and (d) an electrical contact assembly arranged proximally of the end effector, wherein the electrical contact assembly is configured to electrically couple the RF electrode with an RF energy source, wherein the electrical contact assembly comprises: (i) a first electrical contact secured to the body, wherein the first electrical contact is configured to electrically couple with the RF energy source, and (ii) a second electrical contact secured to the shaft assembly, wherein the second electrical contact is

- 24 -

electrically coupled with the RF electrode and with the first electrical contact, wherein the second electrical contact is configured to rotate with the shaft assembly relative to the body and the first electrical contact, wherein the first and second electrical contacts are configured to remain electrically coupled together throughout rotation of the shaft assembly relative to the body.

[00073] Example 2

[00074] The surgical instrument of Example 1, wherein the first and second electrical contacts directly contact one another.

[00075] Example 3

[00076] The surgical instrument of any of the previous Examples, wherein the first electrical contact comprises an outer contact and the second electrical contact comprises an inner contact.

[00077] Example 4

[00078] The surgical instrument of Example 3, wherein the outer contact includes a contact arm, wherein the inner contact comprises an inner ring contact that encircles the shaft assembly, wherein the contact arm is configured to directly contact and maintain electrical engagement with the inner ring contact throughout rotation of the shaft assembly relative to the body.

[00079] Example 5

[00080] The surgical instrument of Example 4, wherein the contact arm is resiliently biased toward the inner ring contact.

[00081] Example 6

- 25 -

[00082] The surgical instrument of any of Examples 4 through 5, wherein the inner ring contact includes at least one contact leg configured to directly contact and electrically couple with the shaft assembly.

[00083] Example 7

[00084] The surgical instrument of Example 6, wherein the at least one contact leg is resiliently biased toward the shaft assembly.

[00085] Example 8

[00086] The surgical instrument of any of Examples 6 through 7, wherein the at least one contact leg includes a plurality of circumferentially spaced contact legs.

[00087] Example 9

[00088] The surgical instrument of any of the previous Examples, further comprising a rotation knob coupled to the shaft assembly, wherein the second electrical contact is coupled to the rotation knob.

[00089] Example 10

[00090] The surgical instrument of Example 9, wherein the second electrical contact includes a retaining leg, wherein the rotation knob includes a recess configured to receive the retaining leg and thereby secure the second electrical contact axially and rotationally relative to the rotation knob.

[00091] Example 11

[00092] The surgical instrument of any of the previous Examples, wherein the second electrical contact is configured to rotate 360 degrees relative to the first electrical contact while remaining continuously electrically coupled therewith.

[00093] Example 12

- 26 -

[00094] The surgical instrument of any of the previous Examples, wherein the end effector further comprises an ultrasonic blade operable to treat tissue with ultrasonic energy, and a clamp arm moveable relative to the ultrasonic blade to clamp tissue therebetween, wherein one of the clamp arm or the ultrasonic blade provides the RF electrode.

[00095] Example 13

[00096] The surgical instrument of Example 12, wherein the RF electrode comprises a first RF electrode electrically coupled with an RF active path, wherein the end effector further comprises a second RF electrode electrically coupled with an RF return path, wherein the first and second RF electrodes are operable to seal tissue with bipolar RF energy, wherein the first and second electrical contacts are electrically coupled with the RF active path and are electrically isolated from the RF return path.

[00097] Example 14

[00098] The surgical instrument of Example 13, wherein the clamp arm provides the first RF electrode, wherein the ultrasonic blade provides the second RF electrode, wherein the shaft assembly includes a first tube and a second tube, wherein the first tube is coupled with the clamp arm and is operable to translate relative to the body and the second tube along the longitudinal axis to actuate the clamp arm relative to the ultrasonic blade, wherein the second electrical contact is electrically coupled with the first RF electrode via the first tube.

[00099] Example 15

[000100] The surgical instrument of Example 14, wherein the second electrical contact is fixed axially relative to the body and the first electrical contact, wherein the second electrical contact is configured to permit translation of the first tube relative to the second electrical contact while maintaining continuous electrical contact with the first tube.

[000101] Example 16

- 27 -

[000102] A surgical instrument comprising: (a) a body; (b) a shaft assembly extending distally from the body along a longitudinal axis, wherein the shaft assembly is rotatable relative to the body about the longitudinal axis, wherein the shaft assembly comprises: (i) a first tube, and (ii) a second tube, wherein the first tube is translatable relative to the second tube and the body; (c) an end effector arranged at a distal end of the shaft assembly, wherein the end effector comprises: (i) an ultrasonic blade operable to treat tissue with ultrasonic energy, (ii) a clamp arm moveable relative to the ultrasonic blade for clamping tissue therebetween, wherein the first tube is operable to actuate the clamp arm, and (iii) an RF electrode operable to seal tissue with RF energy provided by an RF energy source; and (d) an electrical contact assembly arranged at a proximal end portion of the shaft assembly, wherein the electrical contact assembly is configured to permit rotation of the shaft assembly relative to the body and translation of the first tube relative to the second tube while maintaining continuous electrical communication between the RF electrode and the RF energy source.

[000103] Example 17

[000104] The surgical instrument of Example 16, wherein the electrical contact assembly comprises: (i) a first electrical contact fixed relative to the body, wherein the first electrical contact is configured to electrically couple with the RF energy source, and (ii) a second electrical contact coupled to the shaft assembly, wherein the second electrical contact is electrically coupled with the RF electrode and with the first electrical contact, wherein the second electrical contact is configured to rotate with the shaft assembly relative to the body and the first electrical contact.

[000105] Example 18

[000106] The surgical instrument of Example 17, wherein the first electrical contact comprises an outer contact, wherein the second electrical contact comprises an inner contact configured to be received by the outer contact.

[000107] Example 19

[000108] A surgical instrument comprising: (a) a body; (b) a shaft assembly extending distally from the body along a longitudinal axis, wherein the shaft assembly is rotatable relative to the body about the longitudinal axis; (c) an end effector arranged at a distal end of the shaft assembly, wherein the end effector includes an RF electrode operable to seal tissue with RF energy; and (d) an electrical contact assembly arranged at a proximal end portion of the shaft assembly, wherein the electrical contact assembly is configured to electrically couple the RF electrode with an RF energy source, wherein the electrical contact assembly comprises: (i) an outer contact fixed relative to the body, wherein the outer contact is configured to electrically couple with the RF energy source, and (ii) an annular inner contact secured to the shaft assembly, wherein the annular inner contact is electrically coupled with the RF electrode, wherein the annular inner contact is positioned in direct contact with the outer contact and is configured to rotate with the shaft assembly relative to the outer contact while remaining electrically coupled with the outer contact.

[000109] Example 20

[000110] The surgical instrument of Example 19, wherein the outer contact includes a plurality of contact arms, wherein the contact arms are resiliently biased into engagement with the annular inner contact to establish an electrical coupling therebetween.

[000111] III. Miscellaneous

[000112] It should be understood that any one or more of the teachings, expressions, embodiments, examples, etc. described herein may be combined with any one or more of the other teachings, expressions, embodiments, examples, etc. that are described herein. The above-described teachings, expressions, embodiments, examples, etc. should therefore not be viewed in isolation relative to each other. Various suitable ways in which the teachings herein may be combined will be readily apparent to those of ordinary skill in

- 29 -

the art in view of the teachings herein. Such modifications and variations are intended to be included within the scope of the claims.

[000113] Further, any one or more of the teachings, expressions, embodiments, examples, etc. described herein may be combined with any one or more of the teachings, expressions, embodiments, examples, etc. described in U.S. Pat. App. No. [Atty. Ref. END8245USNP], entitled "Combination Ultrasonic and Electrosurgical Instrument Having Electrical Circuits With Shared Return Path," filed on even date herewith; U.S. Pat. App. No. [Atty. Ref. END8245USNP2], entitled "Combination Ultrasonic and Electrosurgical Instrument Having Electrically Insulating Features," filed on even date herewith; U.S. Pat. App. No. [Atty. Ref. END8245USNP3], entitled "Combination Ultrasonic and Electrosurgical Instrument Having Curved Ultrasonic Blade," filed on even date herewith; U.S. Pat. App. No. [Atty. Ref. END8245USNP4], entitled "Combination Ultrasonic and Electrosurgical Instrument Having Clamp Arm Electrode," filed on even date herewith; U.S. Pat. App. No. [Atty. Ref. END8245USNP5], entitled "Combination Ultrasonic and Electrosurgical Instrument Having Ultrasonic Waveguide With Distal Overmold Member," filed on even date herewith; U.S. Pat. App. No. [Atty. Ref. END8245USNP6], entitled "Combination Ultrasonic and Electrosurgical System Having Generator Filter Circuitry," filed on even date herewith; and/or U.S. Pat. App. No. [Atty. Ref. END8245USNP7], entitled "Combination Ultrasonic and Electrosurgical System Having EEPROM and ASIC Components," filed on even date herewith. The disclosure of each of these applications is incorporated by reference herein.

[000114] Further, any one or more of the teachings, expressions, embodiments, examples, etc. described herein may be combined with any one or more of the teachings, expressions, embodiments, examples, etc. described in U.S. Pat. App. No. [Atty. Ref. END8146USNP], entitled "Combination Ultrasonic and Electrosurgical Instrument with Clamp Arm Position Input and Method for Identifying Tissue State," filed on even date herewith; U.S. Pat. App. No. [Atty. Ref. END8146USNP1], entitled "Combination Ultrasonic and Electrosurgical Instrument with Adjustable Energy Modalities and Method for Sealing Tissue and

- 30 -

Inhibiting Tissue Resection," filed on even date herewith; U.S. Pat. App. No. [Atty. Ref. END8146USNP2], entitled "Combination Ultrasonic and Electrosurgical Instrument with Adjustable Clamp Force and Related Methods," filed on even date herewith; U.S. Pat. App. No. [Atty. Ref. END8146USNP3], entitled "Combination Ultrasonic and Electrosurgical Instrument with Adjustable Energy Modalities and Method for Limiting Blade Temperature," filed on even date herewith; U.S. Pat. App. No. [Atty. Ref. END8146USNP4], entitled "Combination Ultrasonic and Electrosurgical Instrument and Method for Sealing Tissue with Various Termination Parameters," filed on even date herewith; and/or U.S. Pat. App. No. [Atty. Ref. END8146USNP5], entitled "Combination Ultrasonic and Electrosurgical Instrument and Method for Sealing Tissue in Successive Phases," filed on even date herewith. The disclosure of each of these applications is incorporated by reference herein.

[000115] It should be appreciated that any patent, publication, or other disclosure material, in whole or in part, that is said to be incorporated by reference herein is incorporated herein only to the extent that the incorporated material does not conflict with existing definitions, statements, or other disclosure material set forth in this disclosure. As such, and to the extent necessary, the disclosure as explicitly set forth herein supersedes any conflicting material incorporated herein by reference. Any material, or portion thereof, that is said to be incorporated by reference herein, but which conflicts with existing definitions, statements, or other disclosure material set forth herein will only be incorporated to the extent that no conflict arises between that incorporated material and the existing disclosure material.

[000116] Versions of the devices described above may have application in conventional medical treatments and procedures conducted by a medical professional, as well as application in robotic-assisted medical treatments and procedures. By way of example only, various teachings herein may be readily incorporated into a robotic surgical system such as the DAVINCI™ system by Intuitive Surgical, Inc., of Sunnyvale, California. Similarly, those of ordinary skill in the art will recognize that various teachings herein may

- 31 -

be readily combined with various teachings of any of the following: U.S. Pat. No. 5,792,135, entitled "Articulated Surgical Instrument For Performing Minimally Invasive Surgery With Enhanced Dexterity and Sensitivity," issued Aug. 11, 1998, the disclosure of which is incorporated by reference herein; U.S. Pat. No. 5,817,084, entitled "Remote Center Positioning Device with Flexible Drive," issued Oct. 6, 1998, the disclosure of which is incorporated by reference herein; U.S. Pat. No. 5,878,193, entitled "Automated Endoscope System for Optimal Positioning," issued March 2, 1999, the disclosure of which is incorporated by reference herein; U.S. Pat. No. 6,231,565, entitled "Robotic Arm DLUS for Performing Surgical Tasks," issued May 15, 2001, the disclosure of which is incorporated by reference herein; U.S. Pat. No. 6,783,524, entitled "Robotic Surgical Tool with Ultrasound Cauterizing and Cutting Instrument," issued Aug. 31, 2004, the disclosure of which is incorporated by reference herein; U.S. Pat. No. 6,364,888, entitled "Alignment of Master and Slave in a Minimally Invasive Surgical Apparatus," issued April 2, 2002, the disclosure of which is incorporated by reference herein; U.S. Pat. No. 7,524,320, entitled "Mechanical Actuator Interface System for Robotic Surgical Tools," issued April 28, 2009, the disclosure of which is incorporated by reference herein; U.S. Pat. No. 7,691,098, entitled "Platform Link Wrist Mechanism," issued April 6, 2010, the disclosure of which is incorporated by reference herein; U.S. Pat. No. 7,806,891, entitled "Repositioning and Reorientation of Master/Slave Relationship in Minimally Invasive Telesurgery," issued Oct. 5, 2010, the disclosure of which is incorporated by reference herein; U.S. Pat. No. 8,844,789, entitled "Automated End Effector Component Reloading System for Use with a Robotic System," issued Sept. 30, 2014, the disclosure of which is incorporated by reference herein; U.S. Pat. No. 8,820,605, entitled "Robotically-Controlled Surgical Instruments," issued Sept. 2, 2014, the disclosure of which is incorporated by reference herein; U.S. Pat. No. 8,616,431, entitled "Shiftable Drive Interface for Robotically-Controlled Surgical Tool," issued Dec. 31, 2013, the disclosure of which is incorporated by reference herein; U.S. Pat. No. 8,573,461, entitled "Surgical Stapling Instruments with Cam-Driven Staple Deployment Arrangements," issued Nov. 5, 2013, the disclosure of which is incorporated by reference herein; U.S. Pat. No. 8,602,288,

- 32 -

entitled “Robotically-Controlled Motorized Surgical End Effector System with Rotary Actuated Closure Systems Having Variable Actuation Speeds,” issued Dec. 10, 2013, the disclosure of which is incorporated by reference herein; U.S. Pat. No. 9,301,759, entitled “Robotically-Controlled Surgical Instrument with Selectively Articulatable End Effector,” issued April 5, 2016, the disclosure of which is incorporated by reference herein; U.S. Pat. No. 8,783,541, entitled “Robotically-Controlled Surgical End Effector System,” issued July 22, 2014, the disclosure of which is incorporated by reference herein; U.S. Pat. No. 8,479,969, entitled “Drive Interface for Operably Coupling a Manipulatable Surgical Tool to a Robot,” issued July 9, 2013; U.S. Pat. Pub. No. 8,800,838, entitled “Robotically-Controlled Cable-Based Surgical End Effectors,” issued Aug. 12, 2014, the disclosure of which is incorporated by reference herein; and/or U.S. Pat. No. 8,573,465, entitled “Robotically-Controlled Surgical End Effector System with Rotary Actuated Closure Systems,” issued Nov. 5, 2013, the disclosure of which is incorporated by reference herein.

[000117] Versions of the devices described above may be designed to be disposed of after a single use, or they can be designed to be used multiple times. Versions may, in either or both cases, be reconditioned for reuse after at least one use. Reconditioning may include any combination of the steps of disassembly of the device, followed by cleaning or replacement of particular pieces, and subsequent reassembly. In particular, some versions of the device may be disassembled, and any number of the particular pieces or parts of the device may be selectively replaced or removed in any combination. Upon cleaning and/or replacement of particular parts, some versions of the device may be reassembled for subsequent use either at a reconditioning facility, or by a user immediately prior to a procedure. Those skilled in the art will appreciate that reconditioning of a device may utilize a variety of techniques for disassembly, cleaning/replacement, and reassembly. Use of such techniques, and the resulting reconditioned device, are all within the scope of the present application.

[000118] By way of example only, versions described herein may be sterilized before and/or after a procedure. In one sterilization technique, the device is placed in a closed and sealed

- 33 -

container, such as a plastic or TYVEK bag. The container and device may then be placed in a field of radiation that can penetrate the container, such as gamma radiation, x-rays, or high-energy electrons. The radiation may kill bacteria on the device and in the container. The sterilized device may then be stored in the sterile container for later use. A device may also be sterilized using any other technique known in the art, including but not limited to beta or gamma radiation, ethylene oxide, or steam.

[000119] Having shown and described various embodiments of the present invention, further adaptations of the methods and systems described herein may be accomplished by appropriate modifications by one of ordinary skill in the art without departing from the scope of the present invention. Several of such potential modifications have been mentioned, and others will be apparent to those skilled in the art. For instance, the examples, embodiments, geometrics, materials, dimensions, ratios, steps, and the like discussed above are illustrative and are not required. Accordingly, the scope of the present invention should be considered in terms of the following claims and is understood not to be limited to the details of structure and operation shown and described in the specification and drawings.

I/We claim:

1. A surgical instrument comprising:
 - (a) a body;
 - (b) a shaft assembly extending distally from the body along a longitudinal axis, wherein the shaft assembly is rotatable relative to the body about the longitudinal axis;
 - (c) an end effector arranged at a distal end of the shaft assembly, wherein the end effector includes an RF electrode operable to seal tissue with RF energy; and
 - (d) an electrical contact assembly arranged proximally of the end effector, wherein the electrical contact assembly is configured to electrically couple the RF electrode with an RF energy source, wherein the electrical contact assembly comprises:
 - (i) a first electrical contact secured to the body, wherein the first electrical contact is configured to electrically couple with the RF energy source, and
 - (ii) a second electrical contact secured to the shaft assembly, wherein the second electrical contact is electrically coupled with the RF electrode and with the first electrical contact, wherein the second electrical contact is configured to rotate with the shaft assembly relative to the body and the first electrical contact,wherein the first and second electrical contacts are configured to remain electrically coupled together throughout rotation of the shaft assembly relative to the body.
2. The surgical instrument of claim 1, wherein the first and second electrical contacts directly contact one another.

- 35 -

3. The surgical instrument of claim 1, wherein the first electrical contact comprises an outer contact and the second electrical contact comprises an inner contact.
4. The surgical instrument of claim 3, wherein the outer contact includes a contact arm, wherein the inner contact comprises an inner ring contact that encircles the shaft assembly, wherein the contact arm is configured to directly contact and maintain electrical engagement with the inner ring contact throughout rotation of the shaft assembly relative to the body.
5. The surgical instrument of claim 4, wherein the contact arm is resiliently biased toward the inner ring contact.
6. The surgical instrument of claim 4, wherein the inner ring contact includes at least one contact leg configured to directly contact and electrically couple with the shaft assembly.
7. The surgical instrument of claim 6, wherein the at least one contact leg is resiliently biased toward the shaft assembly.
8. The surgical instrument of claim 6, wherein the at least one contact leg includes a plurality of circumferentially spaced contact legs.
9. The surgical instrument of claim 1, further comprising a rotation knob coupled to the shaft assembly, wherein the second electrical contact is coupled to the rotation knob.
10. The surgical instrument of claim 9, wherein the second electrical contact includes a retaining leg, wherein the rotation knob includes a recess configured to receive the

- 36 -

retaining leg and thereby secure the second electrical contact axially and rotationally relative to the rotation knob.

11. The surgical instrument of claim 1, wherein the second electrical contact is configured to rotate 360 degrees relative to the first electrical contact while remaining continuously electrically coupled therewith.

12. The surgical instrument of claim 1, wherein the end effector further comprises an ultrasonic blade operable to treat tissue with ultrasonic energy, and a clamp arm moveable relative to the ultrasonic blade to clamp tissue therebetween, wherein one of the clamp arm or the ultrasonic blade provides the RF electrode.

13. The surgical instrument of claim 12, wherein the RF electrode comprises a first RF electrode electrically coupled with an RF active path, wherein the end effector further comprises a second RF electrode electrically coupled with an RF return path, wherein the first and second RF electrodes are operable to seal tissue with bipolar RF energy, wherein the first and second electrical contacts are electrically coupled with the RF active path and are electrically isolated from the RF return path.

14. The surgical instrument of claim 13, wherein the clamp arm provides the first RF electrode, wherein the ultrasonic blade provides the second RF electrode, wherein the shaft assembly includes a first tube and a second tube, wherein the first tube is coupled with the clamp arm and is operable to translate relative to the body and the second tube along the longitudinal axis to actuate the clamp arm relative to the ultrasonic blade, wherein the second electrical contact is electrically coupled with the first RF electrode via the first tube.

15. The surgical instrument of claim 14, wherein the second electrical contact is fixed axially relative to the body and the first electrical contact, wherein the second electrical

- 37 -

contact is configured to permit translation of the first tube relative to the second electrical contact while maintaining continuous electrical contact with the first tube.

16. A surgical instrument comprising:
 - (a) a body;
 - (b) a shaft assembly extending distally from the body along a longitudinal axis, wherein the shaft assembly is rotatable relative to the body about the longitudinal axis, wherein the shaft assembly comprises:
 - (i) a first tube, and
 - (ii) a second tube, wherein the first tube is translatable relative to the second tube and the body;
 - (c) an end effector arranged at a distal end of the shaft assembly, wherein the end effector comprises:
 - (i) an ultrasonic blade operable to treat tissue with ultrasonic energy,
 - (ii) a clamp arm moveable relative to the ultrasonic blade for clamping tissue therebetween, wherein the first tube is operable to actuate the clamp arm, and
 - (iii) an RF electrode operable to seal tissue with RF energy provided by an RF energy source; and
 - (d) an electrical contact assembly arranged at a proximal end portion of the shaft assembly, wherein the electrical contact assembly is configured to permit rotation of the shaft assembly relative to the body and translation of the first tube relative to the second tube while maintaining continuous electrical communication between the RF electrode and the RF energy source.

17. The surgical instrument of claim 16, wherein the electrical contact assembly comprises:

- 38 -

- (i) a first electrical contact fixed relative to the body, wherein the first electrical contact is configured to electrically couple with the RF energy source, and
- (ii) a second electrical contact coupled to the shaft assembly, wherein the second electrical contact is electrically coupled with the RF electrode and with the first electrical contact, wherein the second electrical contact is configured to rotate with the shaft assembly relative to the body and the first electrical contact.

18. The surgical instrument of claim 17, wherein the first electrical contact comprises an outer contact, wherein the second electrical contact comprises an inner contact configured to be received by the outer contact.

19. A surgical instrument comprising:

- (a) a body;
- (b) a shaft assembly extending distally from the body along a longitudinal axis, wherein the shaft assembly is rotatable relative to the body about the longitudinal axis;
- (c) an end effector arranged at a distal end of the shaft assembly, wherein the end effector includes an RF electrode operable to seal tissue with RF energy; and
- (d) an electrical contact assembly arranged at a proximal end portion of the shaft assembly, wherein the electrical contact assembly is configured to electrically couple the RF electrode with an RF energy source, wherein the electrical contact assembly comprises:
 - (i) an outer contact fixed relative to the body, wherein the outer contact is configured to electrically couple with the RF energy source, and
 - (ii) an annular inner contact secured to the shaft assembly, wherein the annular inner contact is electrically coupled with the RF electrode, wherein the annular inner contact is positioned in direct contact with

- 39 -

the outer contact and is configured to rotate with the shaft assembly relative to the outer contact while remaining electrically coupled with the outer contact.

20. The surgical instrument of claim 19, wherein the outer contact includes a plurality of contact arms, wherein the contact arms are resiliently biased into engagement with the annular inner contact to establish an electrical coupling therebetween.

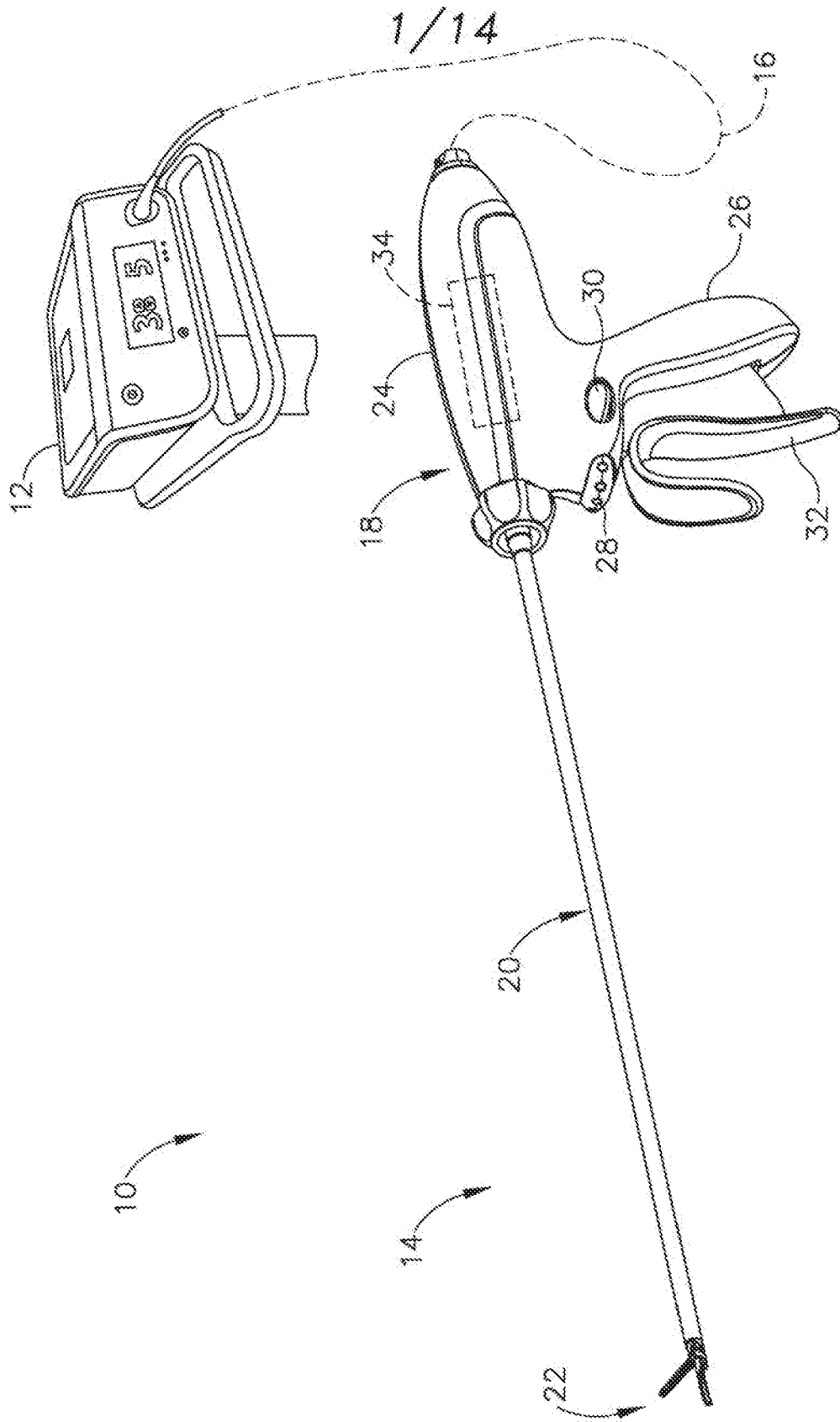


Fig.1

2/14

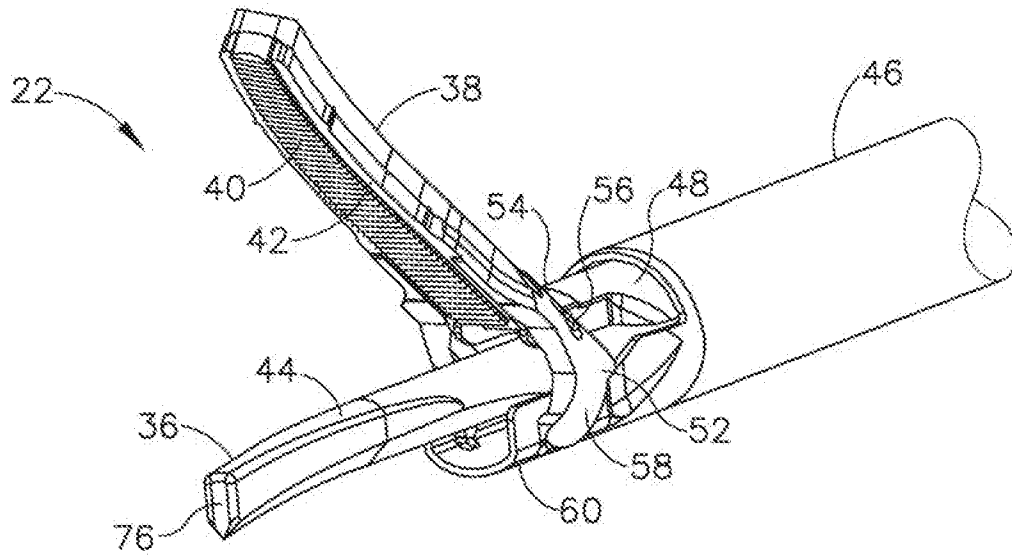


Fig. 2

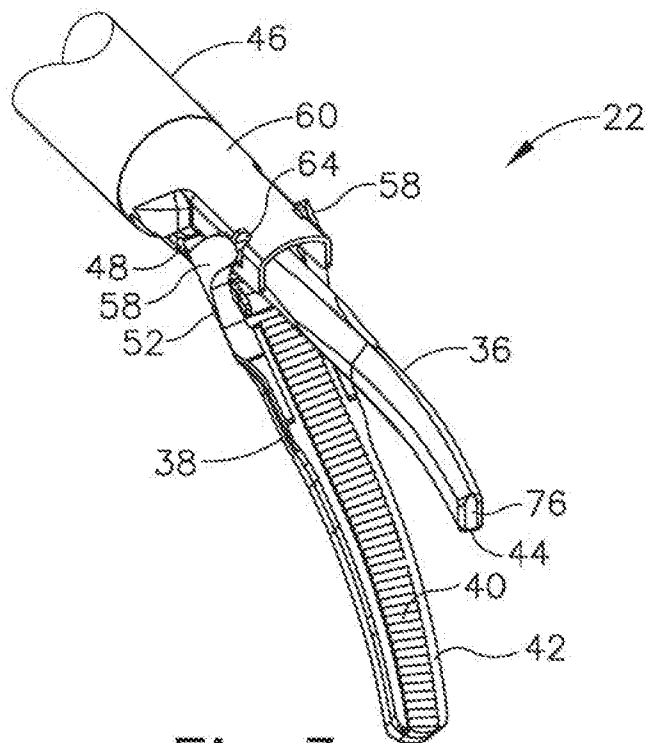


Fig. 3

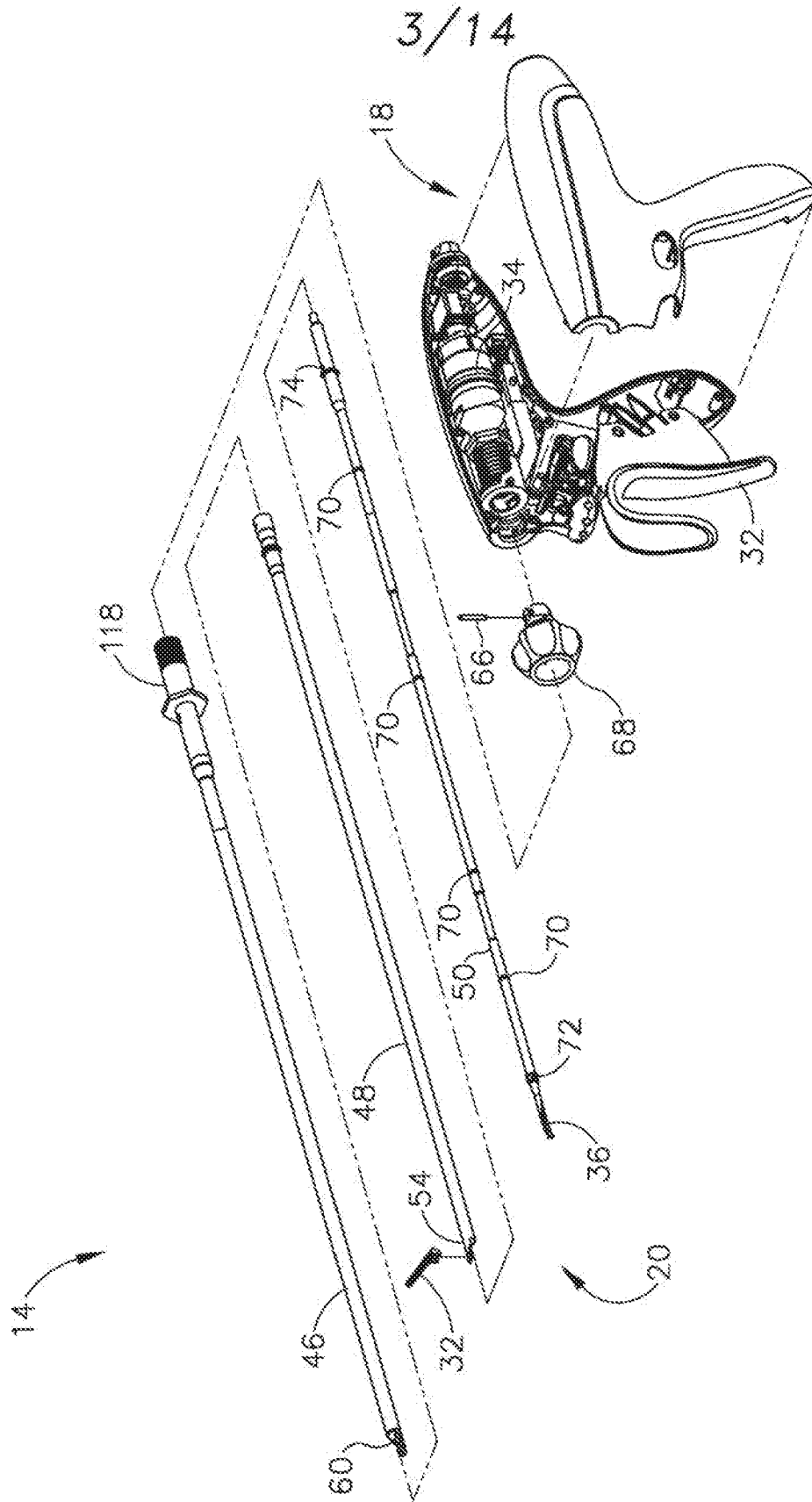


Fig.4

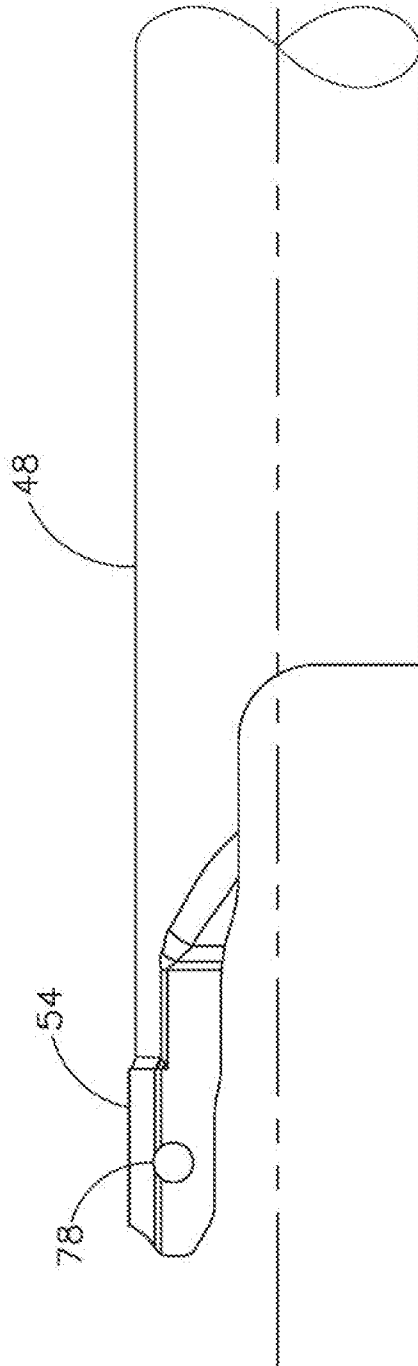


Fig. 6

6/14

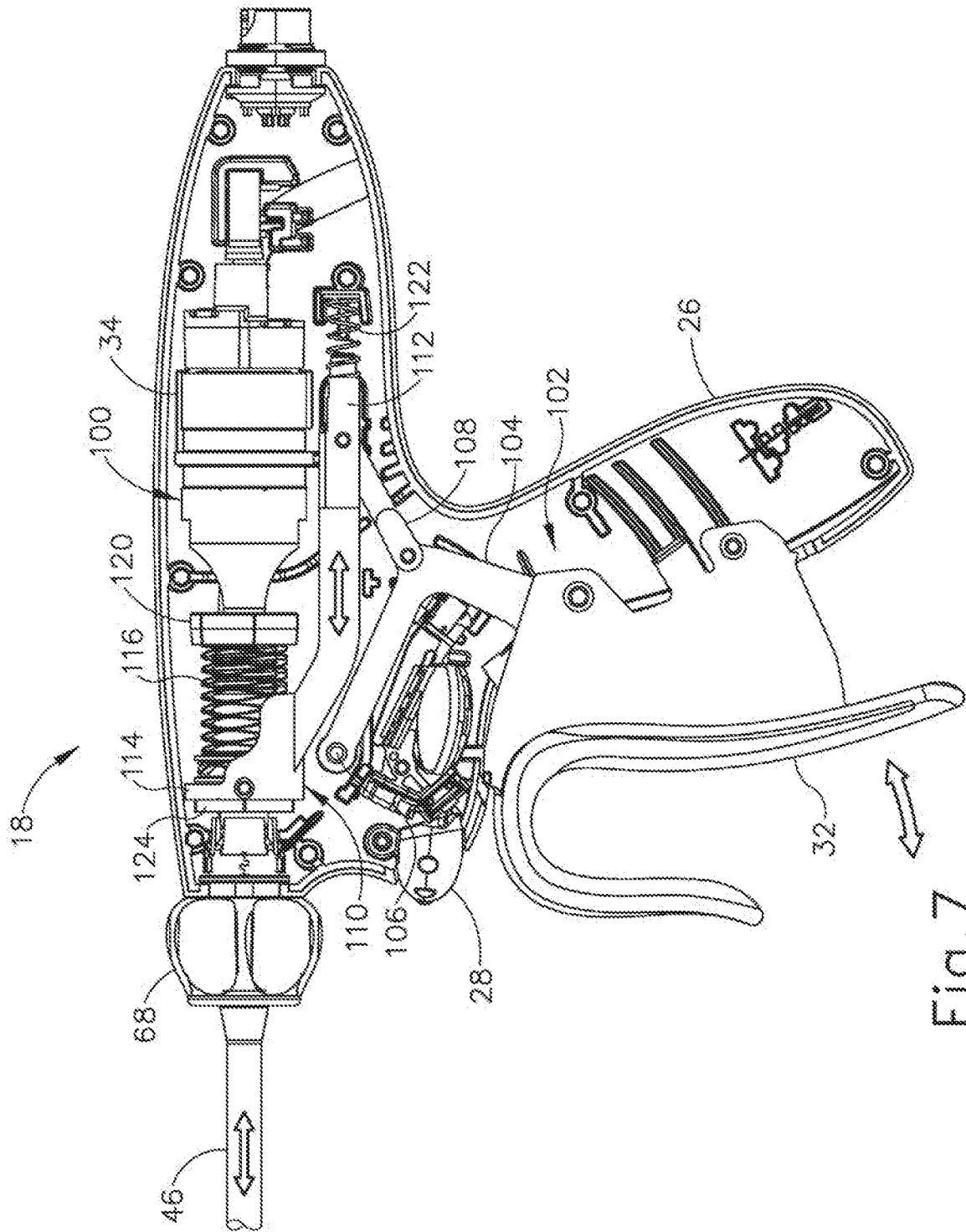


Fig. 7

7/14

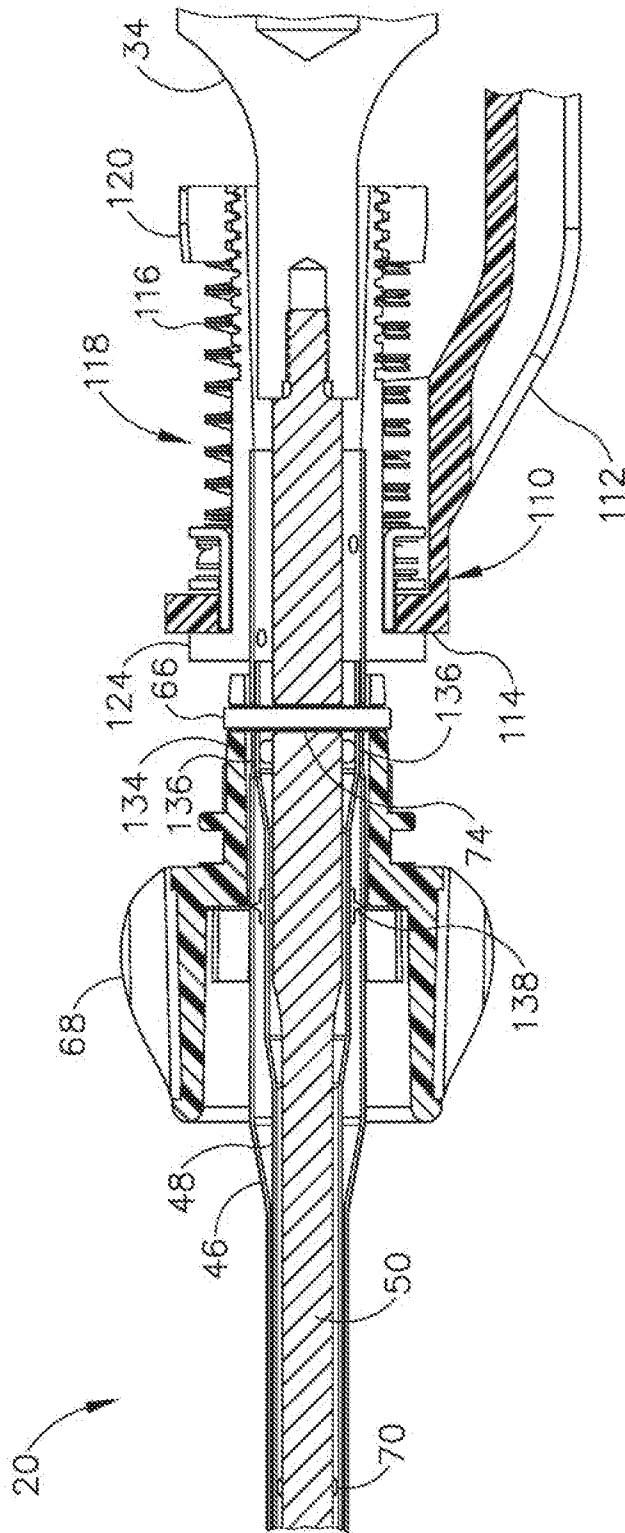


Fig. 8

8/14

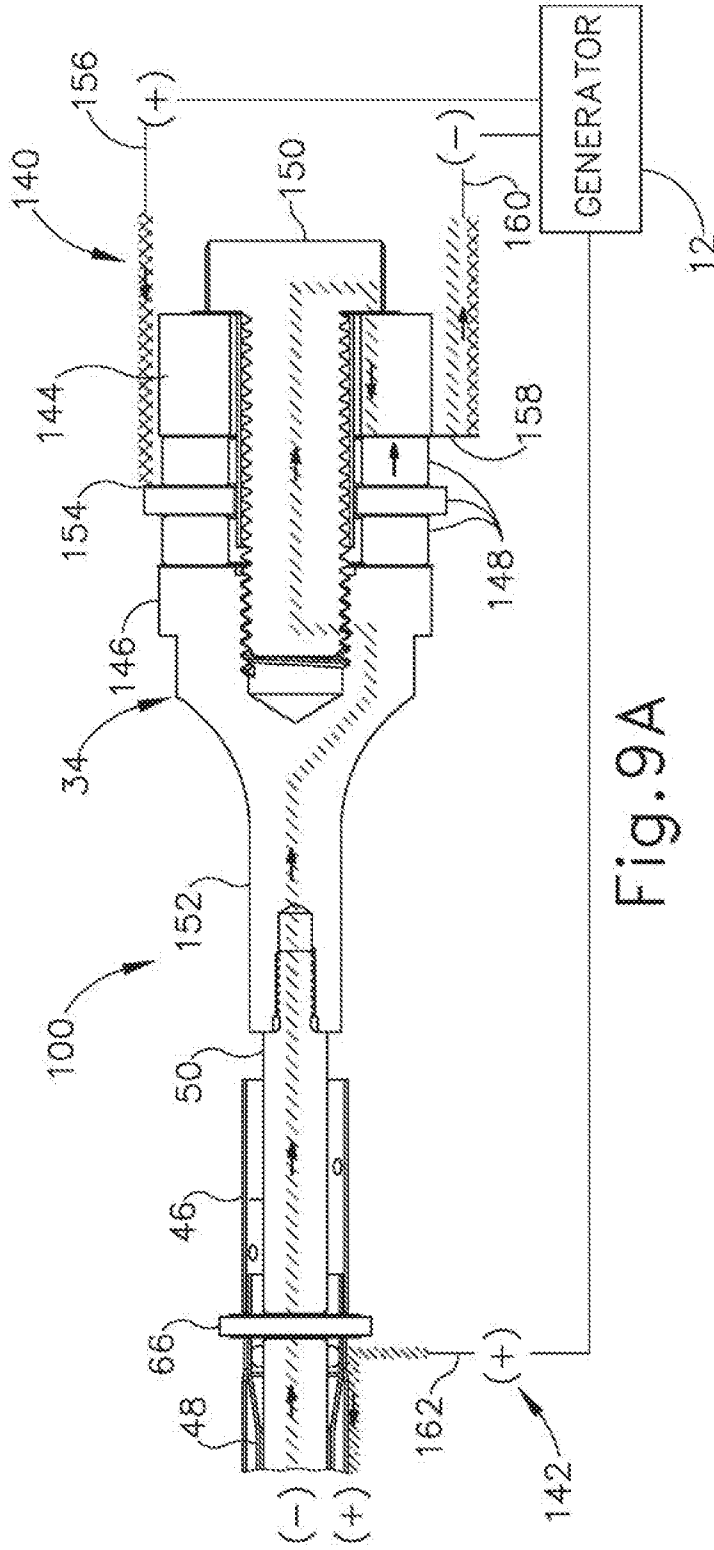


Fig. 9A

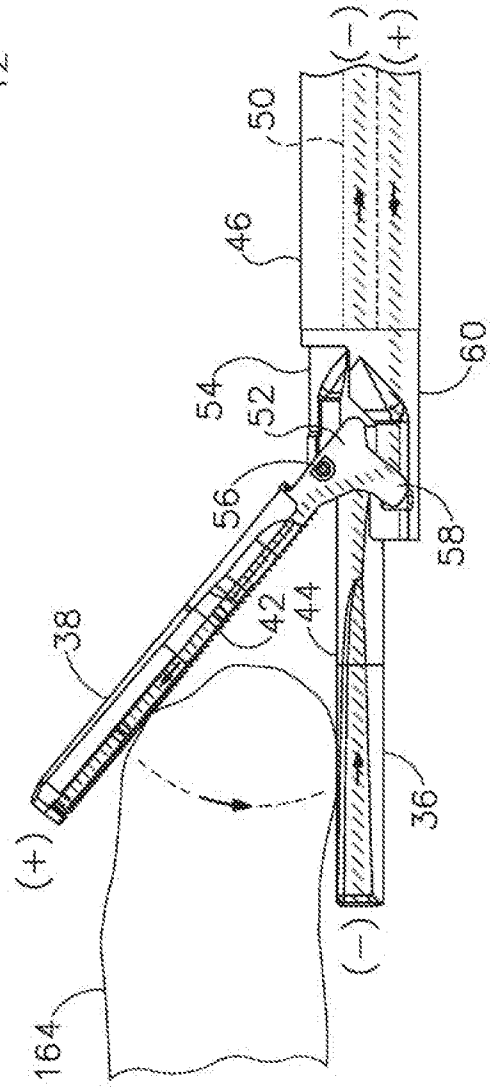


Fig. 9B

9/14

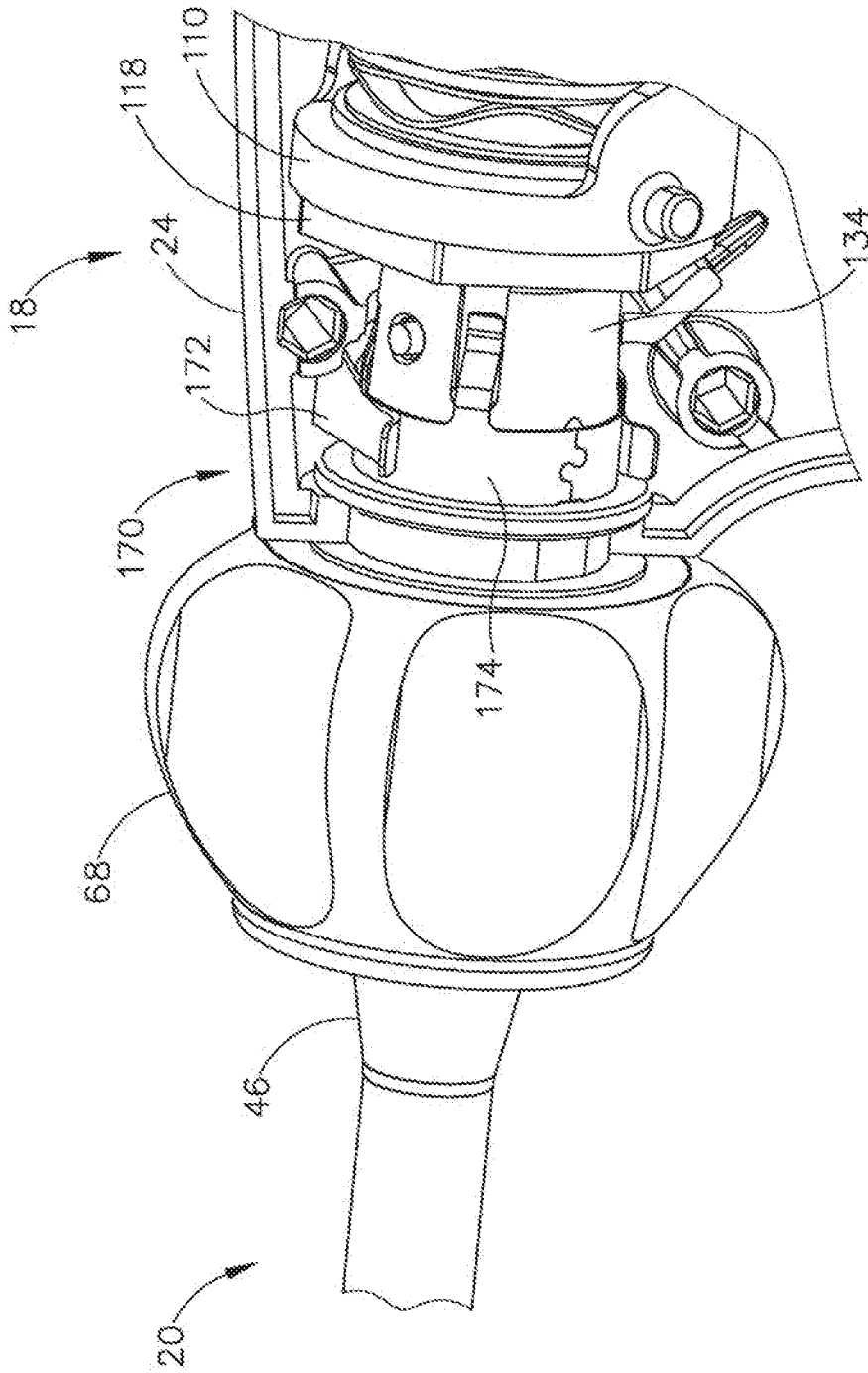


Fig. 10

10/14

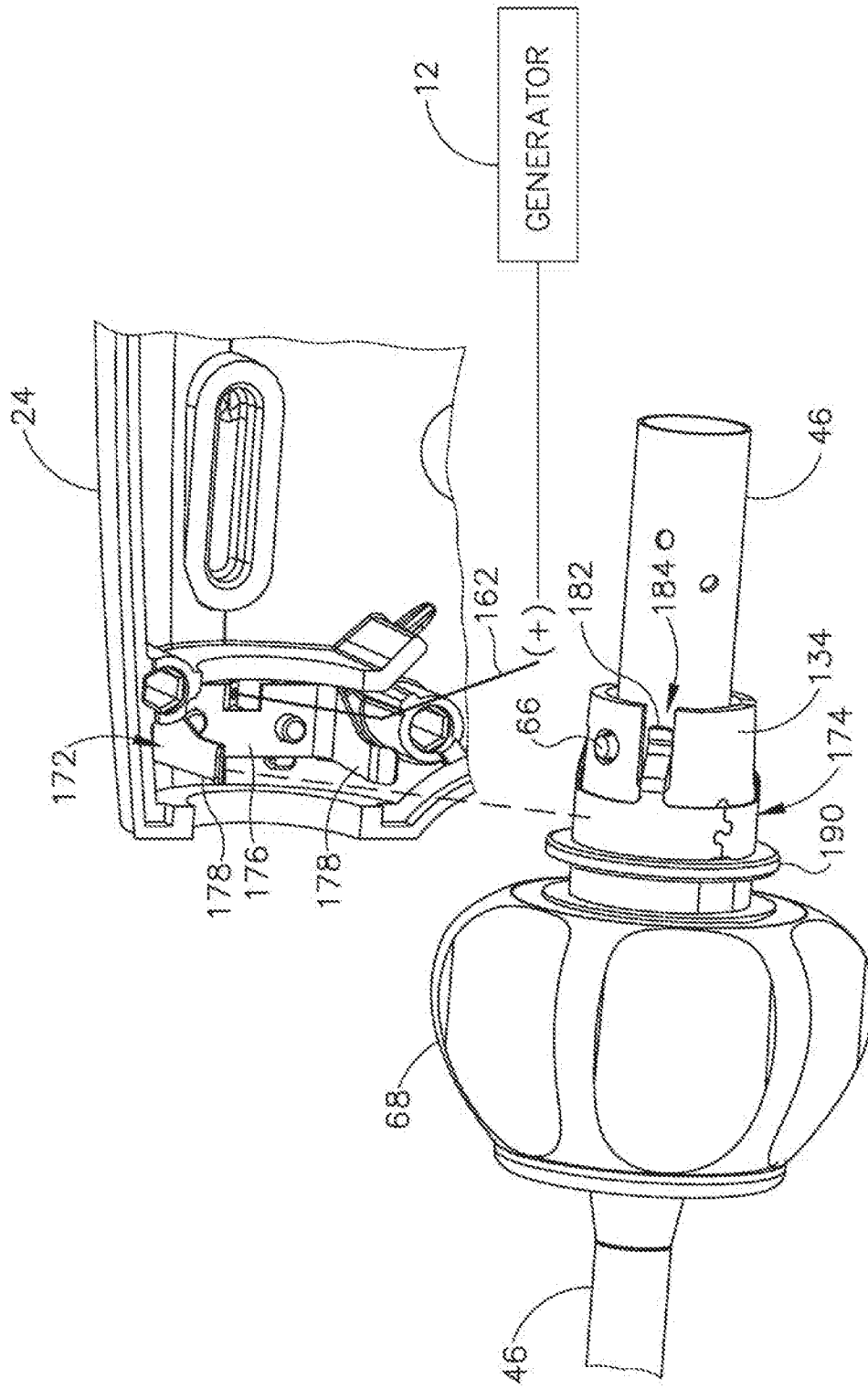


Fig.11

11/14

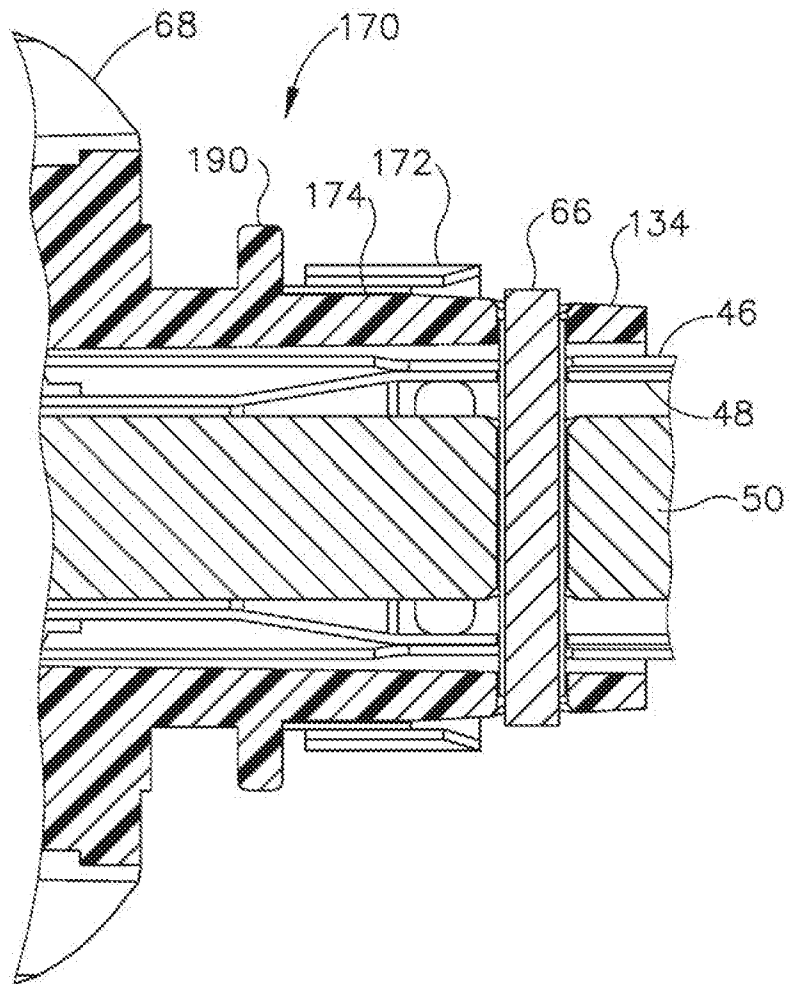


Fig.12

12/14

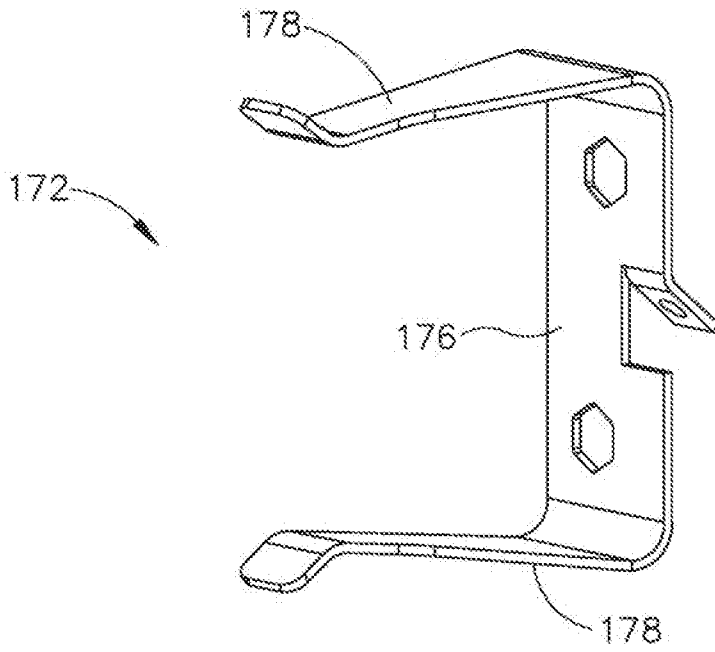


Fig. 13

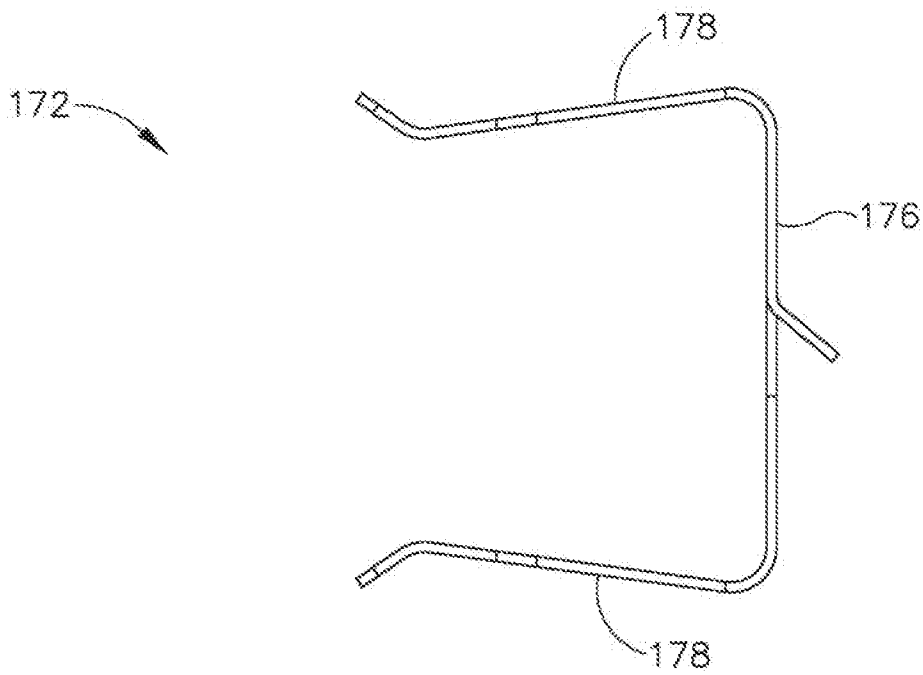


Fig. 14

13/14

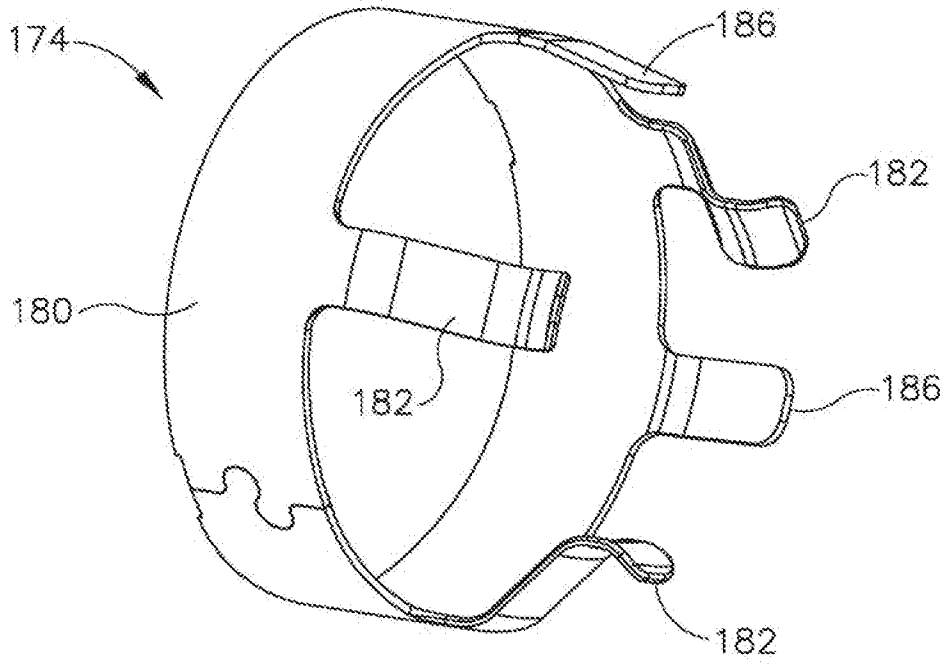


Fig. 15

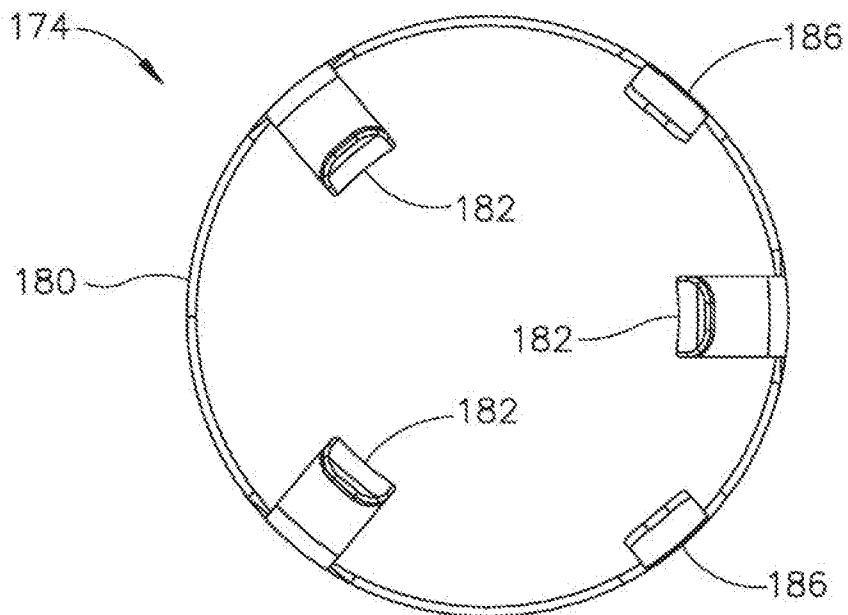


Fig. 16

14/14

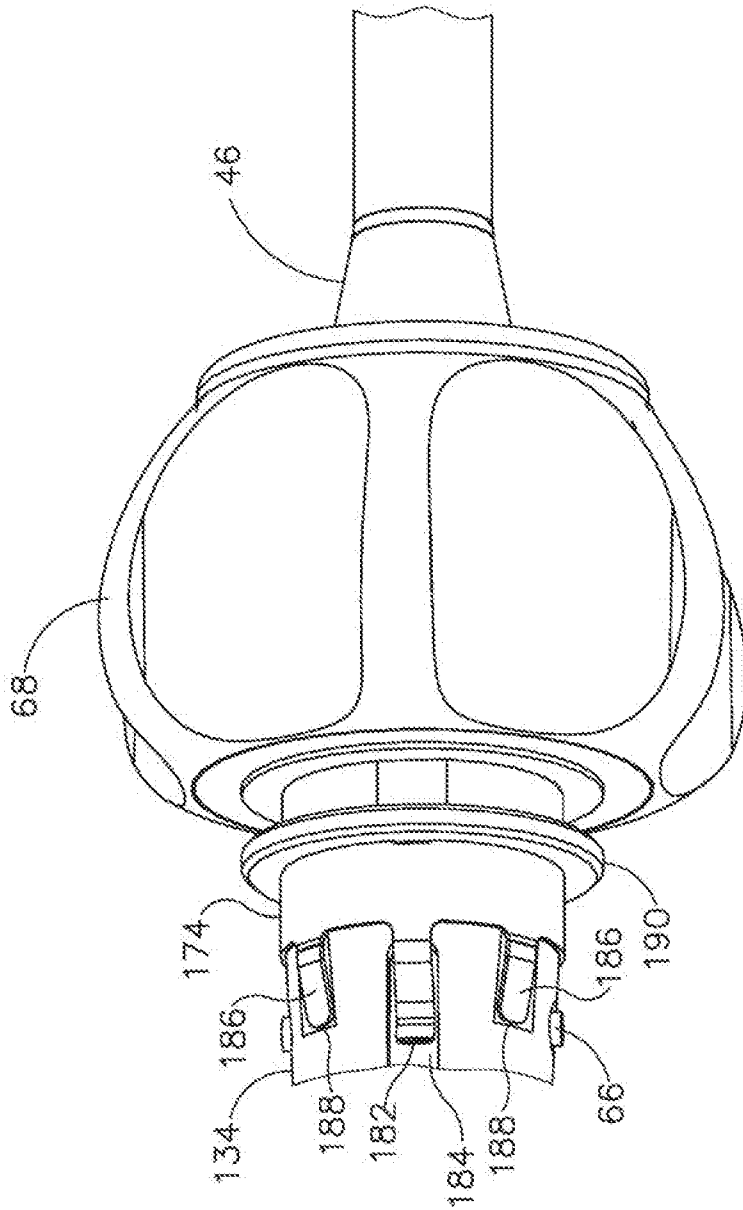


Fig.17