



US0D1008445S

(12) **United States Design Patent**  
**Zhu**

(10) **Patent No.:** **US D1,008,445 S**

(45) **Date of Patent:** **\*\* Dec. 19, 2023**

(54) **NECK FAN**

(71) Applicant: **Shenzhen Weiteshijia Technology Co., Ltd**, Shenzhen (CN)

(72) Inventor: **Caixia Zhu**, Shenzhen (CN)

(\*\*) Term: **15 Years**

(21) Appl. No.: **29/832,716**

(22) Filed: **Mar. 29, 2022**

(30) **Foreign Application Priority Data**

Dec. 20, 2021 (CN) ..... 202130842022.3

(51) **LOC (14) Cl.** ..... **23-04**

(52) **U.S. Cl.**  
USPC ..... **D23/380**

(58) **Field of Classification Search**  
USPC ..... D23/370, 380, 382, 411  
CPC ..... F04D 25/084; F04D 29/424  
See application file for complete search history.

(56) **References Cited**

**U.S. PATENT DOCUMENTS**

D936,820	S	*	11/2021	Yuan	.....	D23/380
D950,702	S	*	5/2022	Zhu	.....	D23/380
D983,350	S	*	4/2023	Zhou	.....	D23/380
D985,750	S	*	5/2023	Du	.....	D23/380
2020/0187574	A1	*	6/2020	Te Hsiang	.....	A41D 13/0053
2022/0145896	A1	*	5/2022	Li	.....	F04D 29/4213
2022/0235786	A1	*	7/2022	Liu	.....	F04D 29/624

**FOREIGN PATENT DOCUMENTS**

CN	202030725165.1	*	5/2021
CN	202130352394.8	*	9/2021

**OTHER PUBLICATIONS**

IMYCOO Personal Semiconductor Neck Fan. Catalogue [Online]. Alibaba.com 2023. [Retrieved on Aug. 7, 2023]. Retrieved from the Internet: <URL:https://www.alibaba.com/product-detail/IMYCOO-Personal-Rechargeable-Semiconductor-Neck-Fans\_1600211509354.html> (Year: 2023).\*

WT-F54 Portable Semiconductor Neck Fan. Product page [Online]. witsegagroup.com 2023. [Retrieved on Aug. 7, 2023]. Retrieved from the Internet: <URL:https://www.witsegagroup.com/fan/mini-fan/portable-semiconductor-neck-fan.html> (Year: 2023).\*

\* cited by examiner

*Primary Examiner* — Janice Hallmark

*Assistant Examiner* — Adedoyin Taiwo Odeyale

(74) *Attorney, Agent, or Firm* — Novoclaims Patent Services LLC; Mei Lin Wong

(57) **CLAIM**

The ornamental design for a neck fan, as shown and described.

**DESCRIPTION**

FIG. 1 is a front perspective view of a neck fan, showing my new design;

FIG. 2 is a bottom perspective view thereof;

FIG. 3 is a front view thereof;

FIG. 4 is a rear view thereof;

FIG. 5 is a left side view thereof;

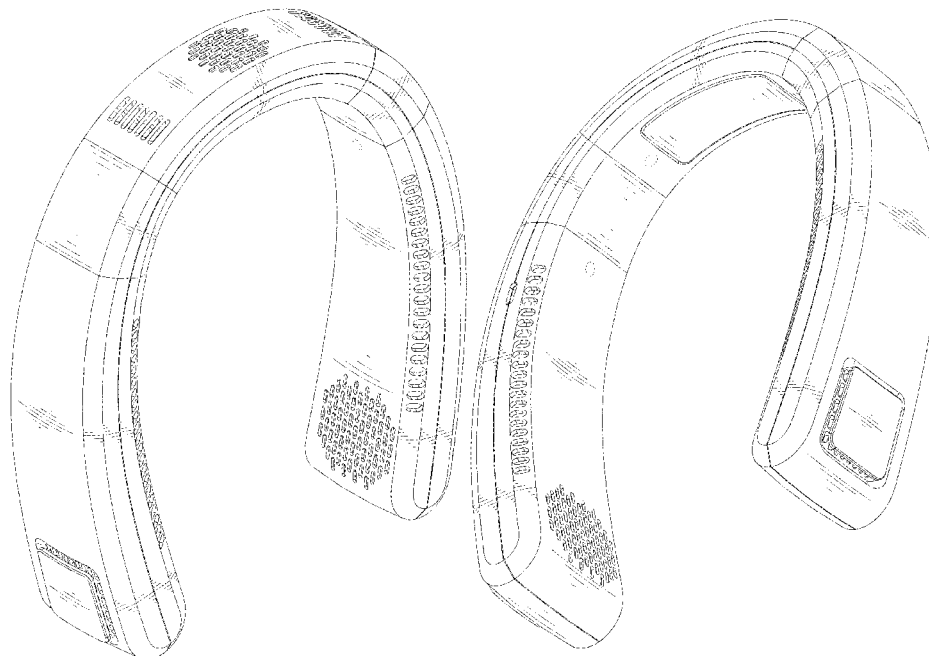
FIG. 6 is a right side view thereof;

FIG. 7 is a top view thereof; and,

FIG. 8 is a bottom view thereof.

The broken lines in the drawings depict portions of the neck fan that form no part of the claimed design.

**1 Claim, 8 Drawing Sheets**



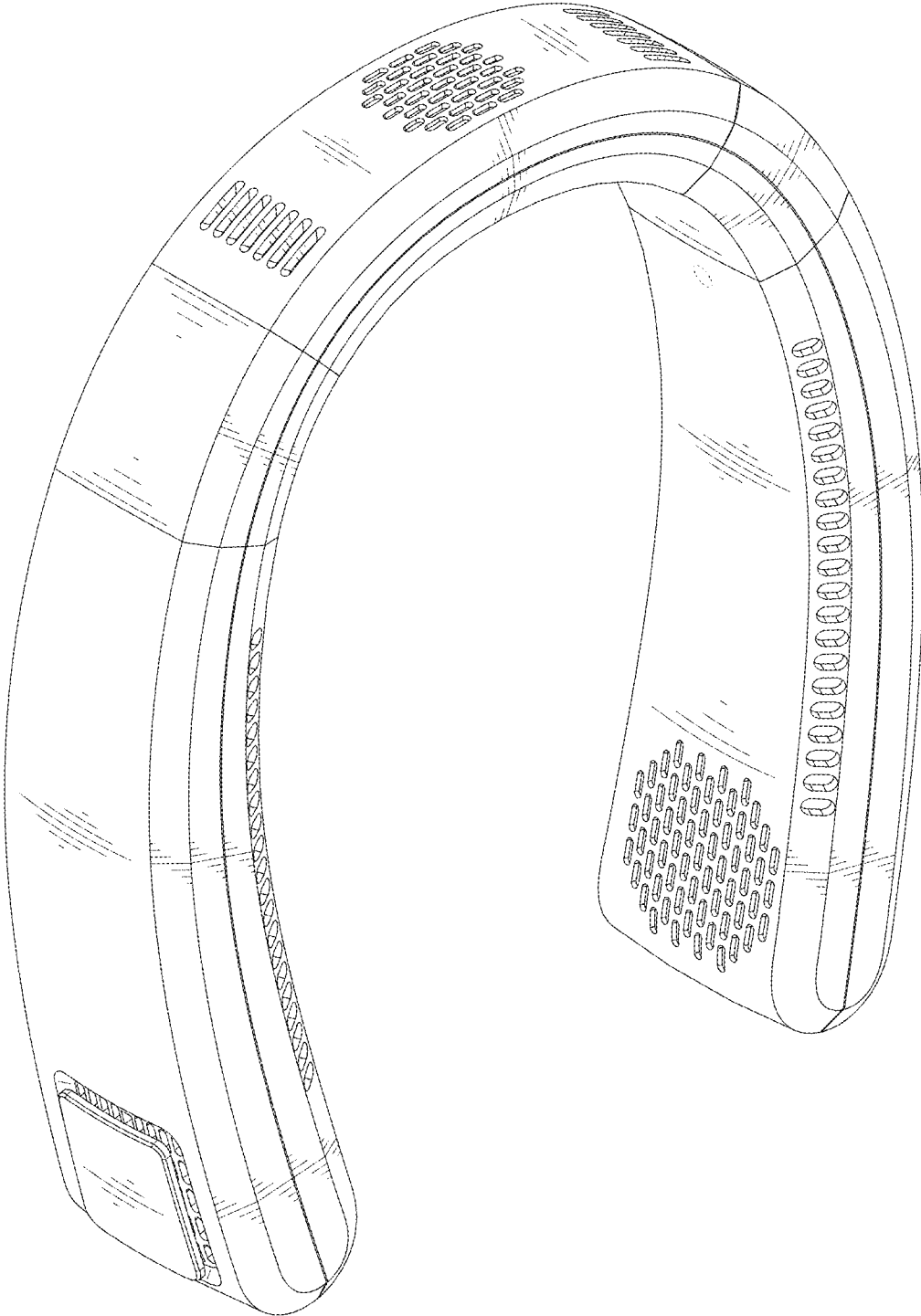


FIG.1

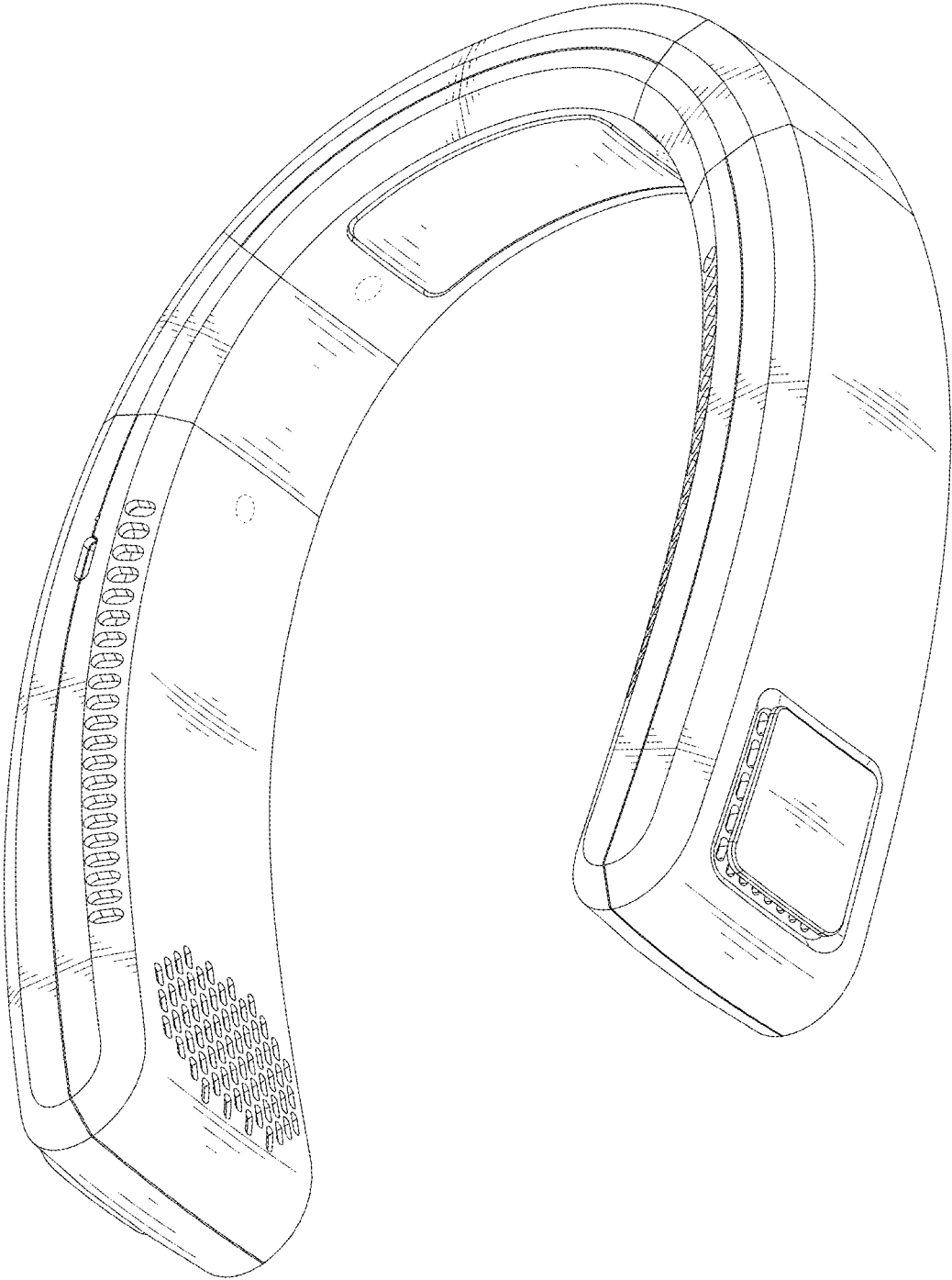


FIG.2

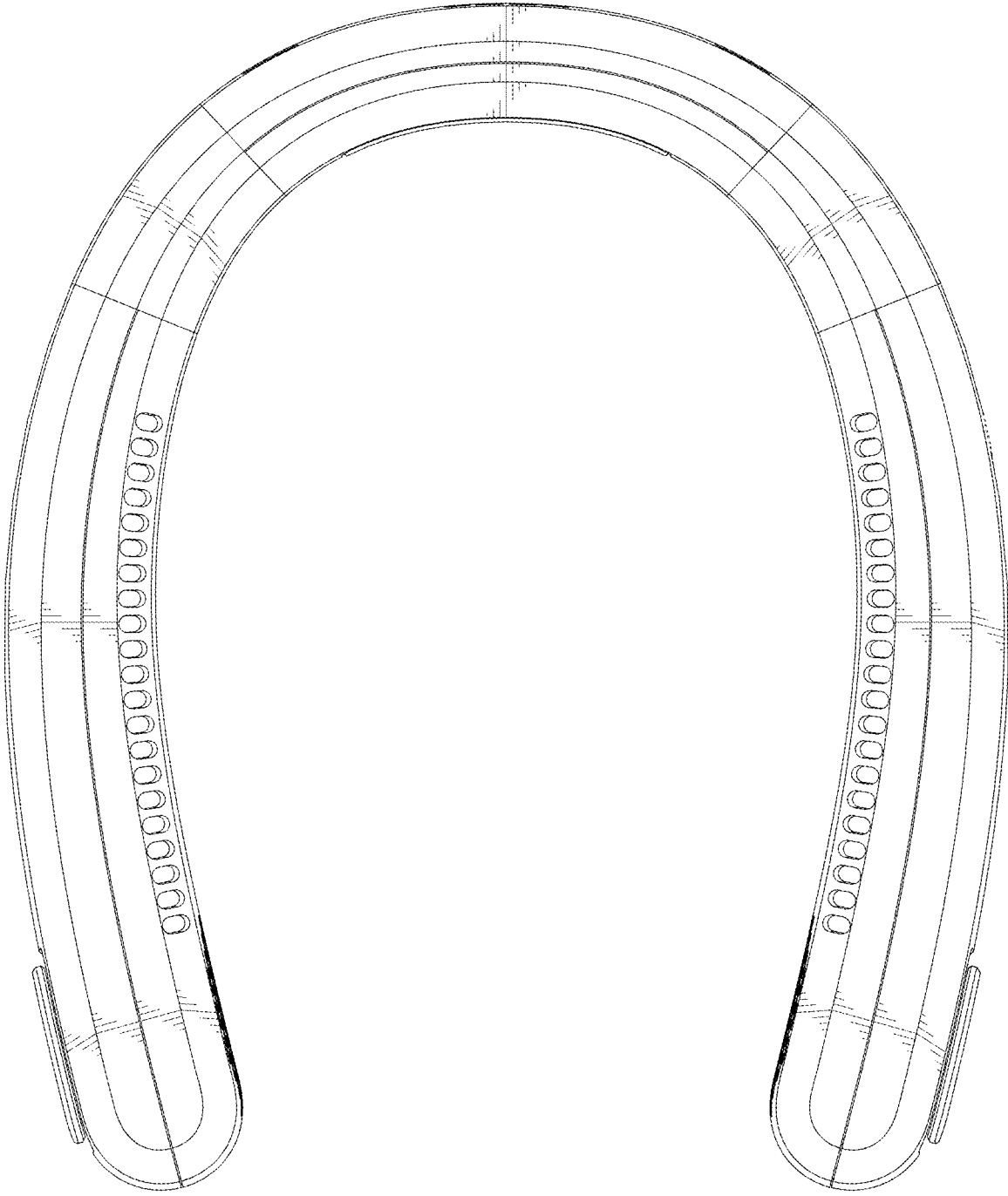


FIG.3

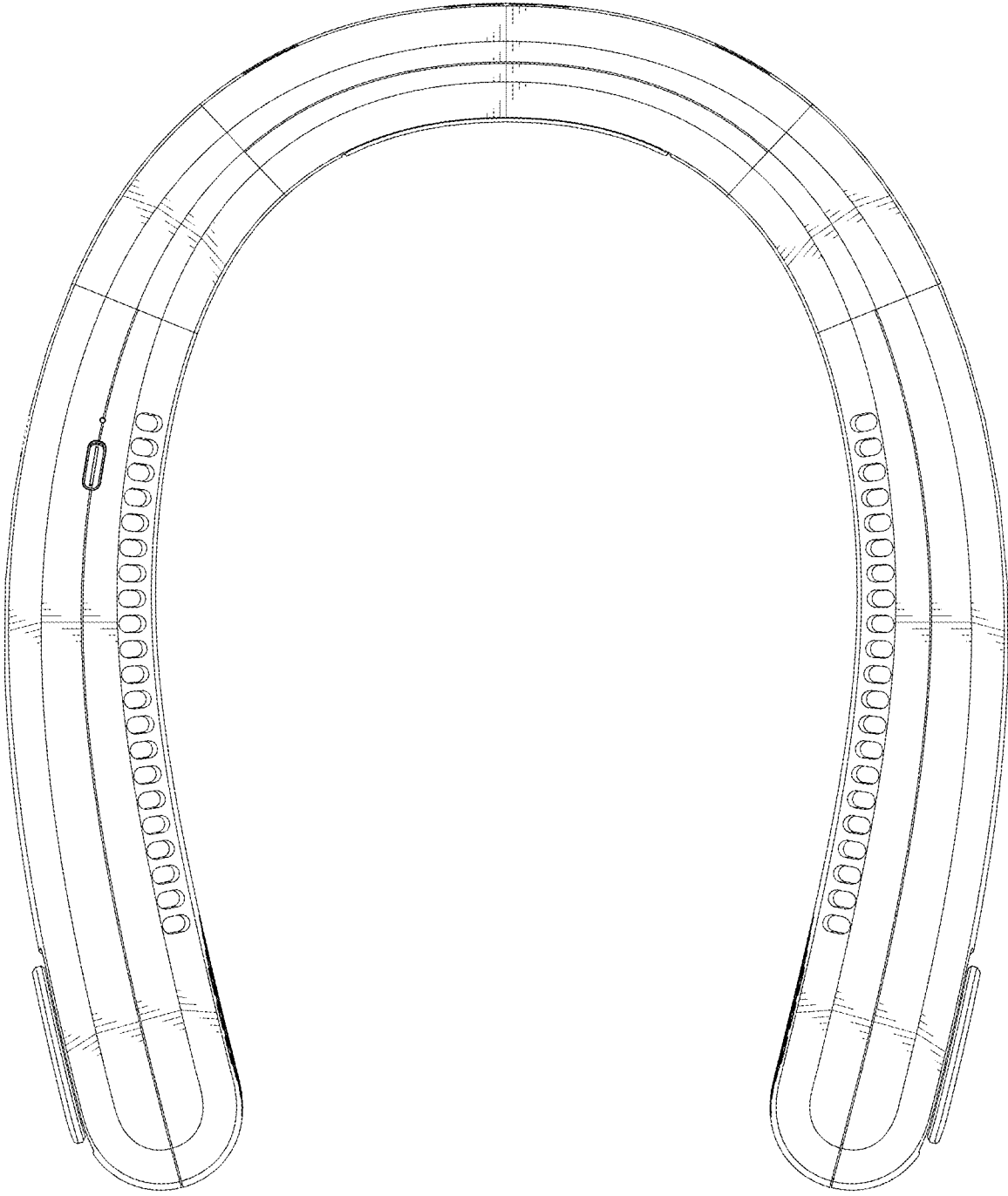


FIG.4

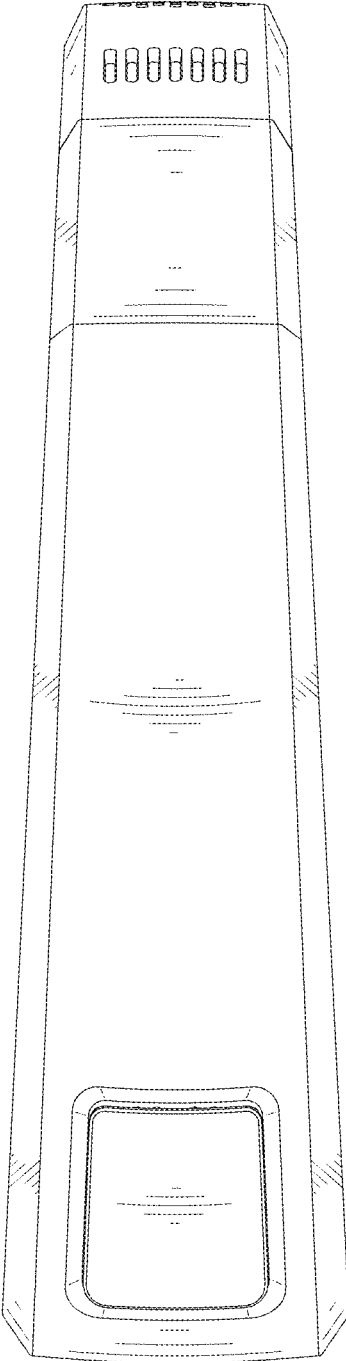


FIG.5

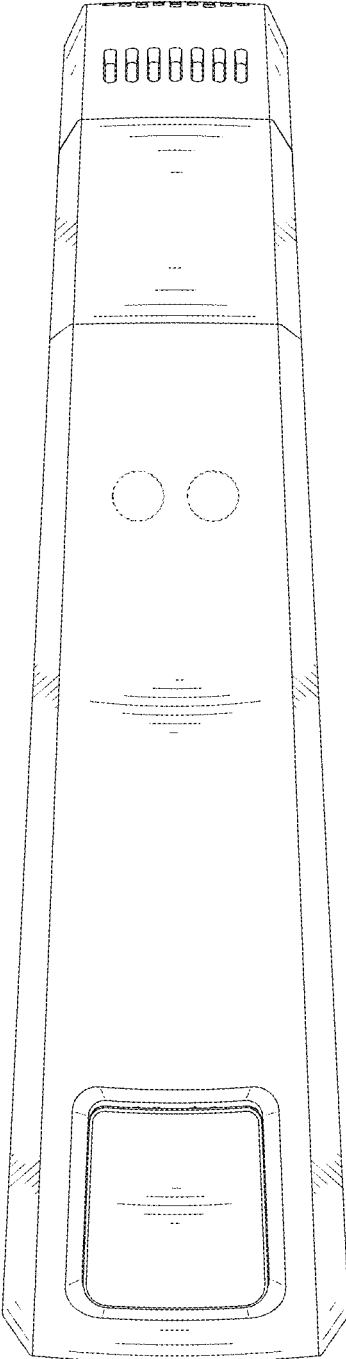


FIG.6

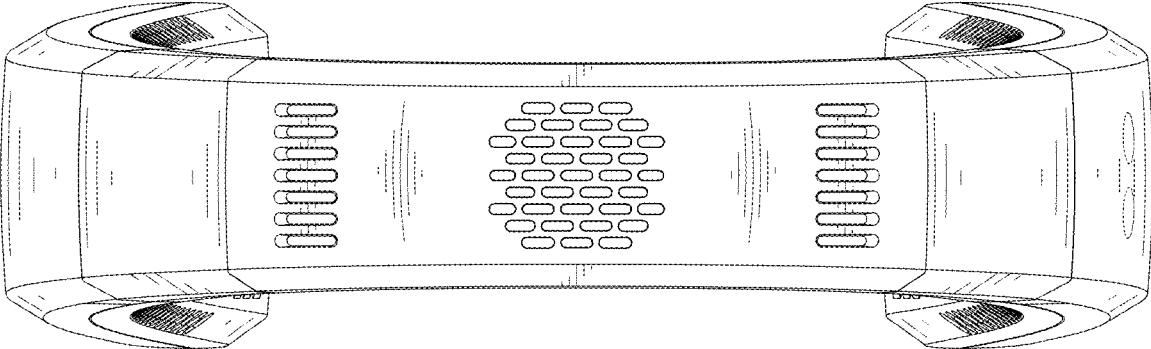


FIG.7

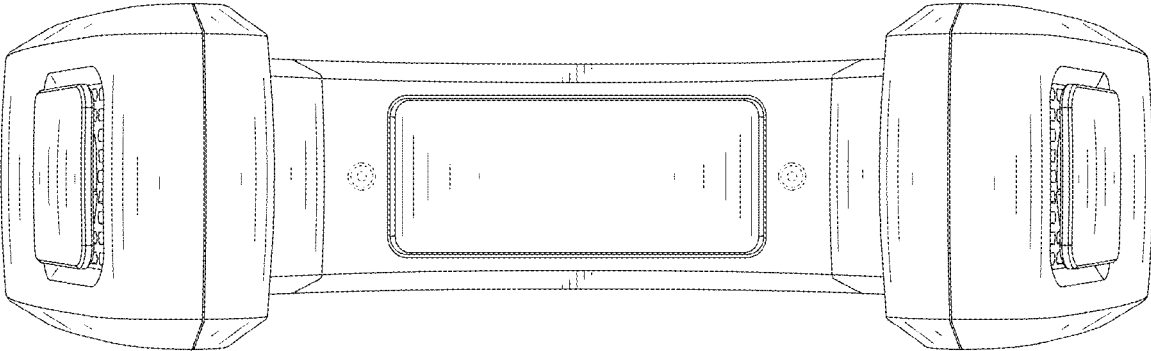


FIG.8