



US00D418142S

United States Patent [19]

[11] Patent Number: **Des. 418,142**

Liimatainen et al.

[45] Date of Patent: **** Dec. 28, 1999**

[54] **RADIO FREQUENCY ANTENNA**

[75] Inventors: **William J. Liimatainen**, Monroe, Wis.;
Kevin M. Thill, Scottsdale, Ariz.

[73] Assignee: **Antenna Plus LLC**, Monroe, Wis.

[**] Term: **14 Years**

5,438,338 8/1995 Thill 343/700
 5,708,679 1/1998 Fernandes et al. 343/700 MS
 5,757,327 5/1998 Yajima et al. 343/842
 5,825,303 10/1998 Bloss, Jr. 343/872
 5,886,674 3/1999 Yoshimi 343/713
 5,900,840 5/1999 Yajima 343/713

[21] Appl. No.: **29/093,316**

[22] Filed: **Sep. 8, 1998**

Primary Examiner—Louis S. Zarfaz
Attorney, Agent, or Firm—Quarles & Brady LLP

[51] **LOC (6) Cl.** **14-03**

[52] **U.S. Cl.** **D14/230**

[58] **Field of Search** D14/230-238;
 343/867, 842, 872, 713, 760, 749, 850,
 861

[57] **CLAIM**

The ornamental design for a radio frequency antenna, as shown and described.

[56] **References Cited**

U.S. PATENT DOCUMENTS

4,329,689 5/1982 Yee 343/700 MS
 4,334,227 6/1982 Marks 343/867

DESCRIPTION

FIG. 1 is a top plan view of a radio frequency antenna showing my; and,
 FIG. 2 is a side elevation view thereof.

The surfaces of the radio frequency antenna that are not shown form no part of the claimed design.

1 Claim, 1 Drawing Sheet

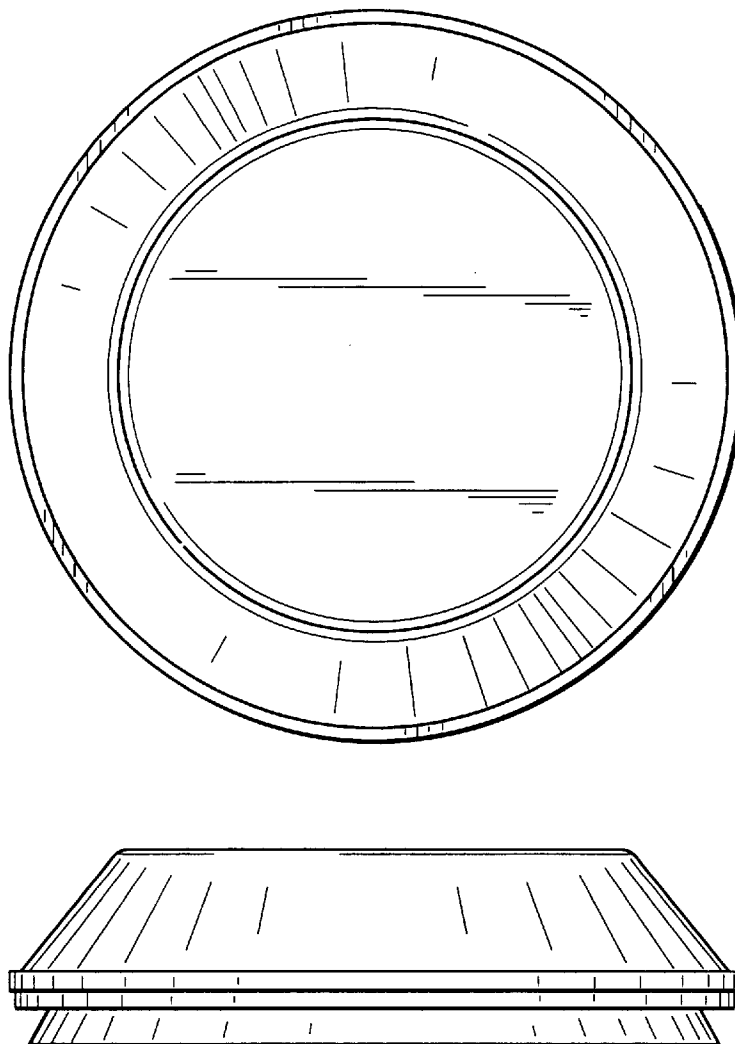


FIG. 1

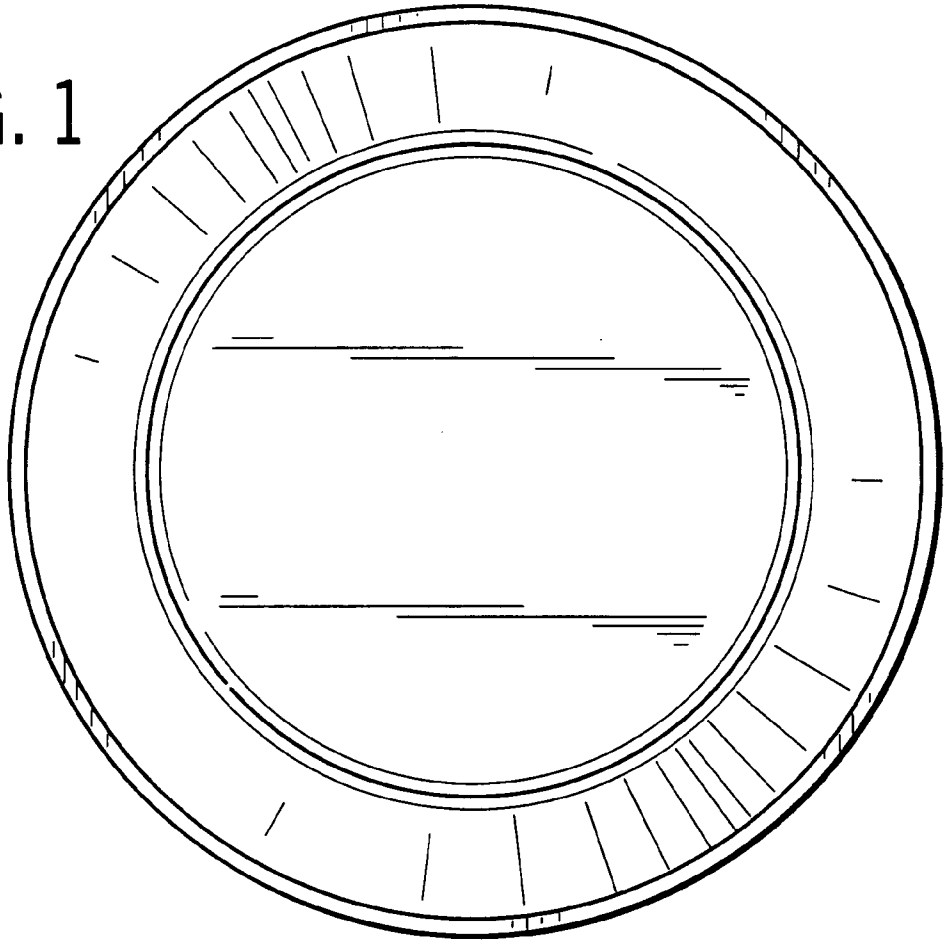


FIG. 2

