

(19) World Intellectual Property Organization
International Bureau



(43) International Publication Date
29 January 2004 (29.01.2004)

PCT

(10) International Publication Number
WO 2004/010679 A3

(51) International Patent Classification⁷: H04N 5/225

(21) International Application Number:
PCT/IB2003/003153

(22) International Filing Date: 11 July 2003 (11.07.2003)

(25) Filing Language: English

(26) Publication Language: English

(30) Priority Data:
02078113.4 18 July 2002 (18.07.2002) EP

(71) Applicant (for all designated States except US): KONINKLIJKE PHILIPS ELECTRONICS N.V. [NL/NL]; Groenewoudseweg 1, NL-5621 BA Eindhoven (NL).

(72) Inventors; and

(75) Inventors/Applicants (for US only): VAN ARENDONK, Anton, P., M. [NL/NL]; c/o Prof. Holstlaan 6, NL-5656 AA Eindhoven (NL). VAN VEEN, Nicolaas, J., A. [NL/NL]; c/o Prof. Holstlaan 6, NL-5656 AA Eindhoven (NL).

(74) Agent: DUIJVESTIJN, Adrianus, J.; Philips Intellectual Property & Standards, Prof. Holstlaan 6, NL-5656 AA Eindhoven (NL).

(81) Designated States (national): AE, AG, AL, AM, AT, AU, AZ, BA, BB, BG, BR, BY, BZ, CA, CH, CN, CO, CR, CU, CZ, DE, DK, DM, DZ, EC, EE, ES, FI, GB, GD, GE, GH, GM, HR, HU, ID, IL, IN, IS, JP, KE, KG, KP, KR, KZ, LC, LK, LR, LS, LT, LU, LV, MA, MD, MG, MK, MN, MW, MX, MZ, NI, NO, NZ, OM, PG, PH, PL, PT, RO, RU, SC, SD, SE, SG, SK, SL, SY, TJ, TM, TN, TR, TT, TZ, UA, UG, US, UZ, VC, VN, YU, ZA, ZM, ZW.

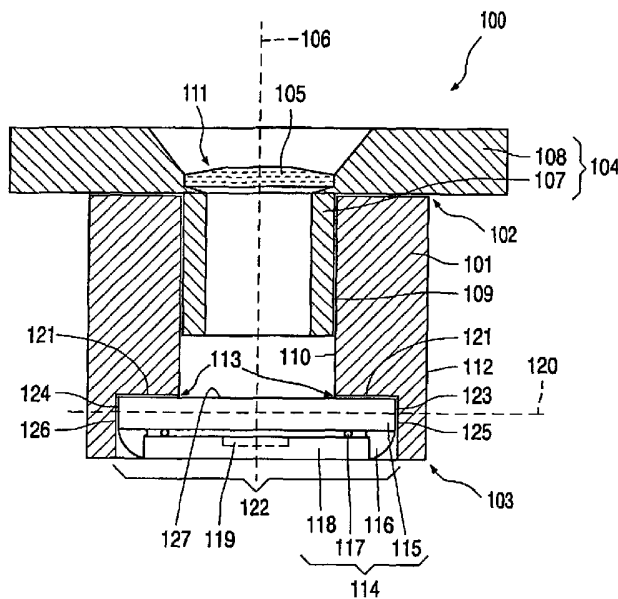
(84) Designated States (regional): ARIPO patent (GH, GM, KE, LS, MW, MZ, SD, SL, SZ, TZ, UG, ZM, ZW), Eurasian patent (AM, AZ, BY, KG, KZ, MD, RU, TJ, TM), European patent (AT, BE, BG, CH, CY, CZ, DE, DK, EE, ES, FI, FR, GB, GR, HU, IE, IT, LU, MC, NL, PT, RO, SE, SI, SK, TR), OAPI patent (BF, BJ, CF, CG, CI, CM, GA, GN, GQ, GW, ML, MR, NE, SN, TD, TG).

Declaration under Rule 4.17:

— as to applicant's entitlement to apply for and be granted a patent (Rule 4.17(ii)) for the following designations AE, AG, AL, AM, AT, AU, AZ, BA, BB, BG, BR, BY, BZ, CA, CH, CN, CO, CR, CU, CZ, DE, DK, DM, DZ, EC, EE, ES, FI, GB, GD, GE, GH, GM, HR, HU, ID, IL, IN, IS, JP, KE, KG, KP, KR, KZ, LC, LK, LR, LS, LT, LU, LV, MA, MD, MG, MK, MN, MW, MX, MZ, NI, NO, NZ, OM, PG, PH,

[Continued on next page]

(54) Title: CAMERA MODULE, CAMERA SYSTEM AND METHOD OF MANUFACTURING A CAMERA MODULE



(57) Abstract: The invention relates to a camera module comprising a holder having a first end arranged for receiving light and a second end arranged for placing an image pickup module for picking up images. The camera module further comprises a lens or a system of lenses, having an optical axis arranged for forming an image on the image pickup module. Near the second end, the holder comprises means for aligning the image pickup module in a plane perpendicular to be optical axis. The aligning means are for instance formed by a recess in the inner wall of the holder near the second end. The image pickup module is placed within the recess substantially without play. This method of aligning the image pickup module simplifies the manufacture of the camera module.

WO 2004/010679 A3



PL, PT, RO, RU, SC, SD, SE, SG, SK, SL, SY, TJ, TM, TN, TR, TT, TZ, UA, UG, UZ, VC, VN, YU, ZA, ZM, ZW, ARIPO patent (GH, GM, KE, LS, MW, MZ, SD, SL, SZ, TZ, UG, ZM, ZW), Eurasian patent (AM, AZ, BY, KG, KZ, MD, RU, TJ, TM), European patent (AT, BE, BG, CH, CY, CZ, DE, DK, EE, ES, FI, FR, GB, GR, HU, IE, IT, LU, MC, NL, PT, RO, SE, SI, SK, TR), OAPI patent (BF, BJ, CF, CG, CI, CM, GA, GN, GQ, GW, ML, MR, NE, SN, TD, TG)

— before the expiration of the time limit for amending the claims and to be republished in the event of receipt of amendments

(88) Date of publication of the international search report:
6 May 2005

For two-letter codes and other abbreviations, refer to the "Guidance Notes on Codes and Abbreviations" appearing at the beginning of each regular issue of the PCT Gazette.

Published:

— with international search report

INTERNATIONAL SEARCH REPORT

International Application No

PCT/IB 03/03153

A. CLASSIFICATION OF SUBJECT MATTER

IPC 7 H04N5/225

According to International Patent Classification (IPC) or to both national classification and IPC

B. FIELDS SEARCHED

Minimum documentation searched (classification system followed by classification symbols)

IPC 7 H04N

Documentation searched other than minimum documentation to the extent that such documents are included in the fields searched

Electronic data base consulted during the international search (name of data base and, where practical, search terms used)

EPO-Internal, PAJ

C. DOCUMENTS CONSIDERED TO BE RELEVANT

Category °	Citation of document, with indication, where appropriate, of the relevant passages	Relevant to claim No.
X A	US 5 400 072 A (IZUMI ET AL) 21 March 1995 (1995-03-21) column 4, line 9 - line 41 column 6, line 14 - line 60 column 20, line 12 - line 29 column 20, line 55 - column 21, line 21 figures 2A, 2B, 5, 6, 12A, 12B, 14A-14C, 17A, 17B	1-3, 5, 9, 10 4, 6-8
X	DE 198 42 828 A1 (VOLKSWAGEN AG) 23 March 2000 (2000-03-23) column 2, line 16 - line 36 ----- -/--	1, 4-10

 Further documents are listed in the continuation of box C. Patent family members are listed in annex.

° Special categories of cited documents :

"A" document defining the general state of the art which is not considered to be of particular relevance

"E" earlier document but published on or after the international filing date

"L" document which may throw doubts on priority claim(s) or which is cited to establish the publication date of another citation or other special reason (as specified)

"O" document referring to an oral disclosure, use, exhibition or other means

"P" document published prior to the international filing date but later than the priority date claimed

"T" later document published after the international filing date or priority date and not in conflict with the application but cited to understand the principle or theory underlying the invention

"X" document of particular relevance; the claimed invention cannot be considered novel or cannot be considered to involve an inventive step when the document is taken alone

"Y" document of particular relevance; the claimed invention cannot be considered to involve an inventive step when the document is combined with one or more other such documents, such combination being obvious to a person skilled in the art.

"&" document member of the same patent family

Date of the actual completion of the international search

14 March 2005

Date of mailing of the international search report

21/03/2005

Name and mailing address of the ISA

European Patent Office, P.B. 5818 Patentlaan 2
NL - 2280 HV Rijswijk
Tel. (+31-70) 340-2040, Tx. 31 651 epo nl,
Fax: (+31-70) 340-3016

Authorized officer

Wentzel, J

INTERNATIONAL SEARCH REPORT

International Application No

PCT/IB 03/03153

C.(Continuation) DOCUMENTS CONSIDERED TO BE RELEVANT		
Category °	Citation of document, with indication, where appropriate, of the relevant passages	Relevant to claim No.
X	<p>PATENT ABSTRACTS OF JAPAN vol. 2000, no. 04, 31 August 2000 (2000-08-31) -& JP 2000 004386 A (OLYMPUS OPTICAL CO LTD), 7 January 2000 (2000-01-07) abstract</p> <p style="text-align: center;">-----</p>	1-3,5,6, 9,10
X	<p>PATENT ABSTRACTS OF JAPAN vol. 2002, no. 08, 5 August 2002 (2002-08-05) -& JP 2002 118776 A (KONICA CORP), 19 April 2002 (2002-04-19) see figures 1, 7 and 8 from the publication in Japanese abstract</p> <p style="text-align: center;">-----</p>	1-3,5,6, 9,10
X	<p>PATENT ABSTRACTS OF JAPAN vol. 2000, no. 24, 11 May 2001 (2001-05-11) -& JP 2001 188155 A (KUURII COMPONENTS KK; SHINTEN SANGYO CO LTD), 10 July 2001 (2001-07-10) abstract see figures 1 to 5 of the publication in Japanese</p> <p style="text-align: center;">-----</p>	1-6,9,10

INTERNATIONAL SEARCH REPORT

Information on patent family members

International Application No

PCT/IB 03/03153

Patent document cited in search report	Publication date	Publication date	Patent family member(s)	Publication date
US 5400072	A	21-03-1995	JP 2765925 B2	18-06-1998
			JP 3072789 A	27-03-1991
			JP 3030581 A	08-02-1991
			US 5673083 A	30-09-1997
			US 5274456 A	28-12-1993
<hr style="border-top: 1px dashed black;"/>				
DE 19842828	A1	23-03-2000	NONE	
<hr style="border-top: 1px dashed black;"/>				
JP 2000004386	A	07-01-2000	NONE	
<hr style="border-top: 1px dashed black;"/>				
JP 2002118776	A	19-04-2002	NONE	
<hr style="border-top: 1px dashed black;"/>				
JP 2001188155	A	10-07-2001	NONE	
<hr style="border-top: 1px dashed black;"/>				