



US00D902977S

(12) **United States Design Patent**
England et al.

(10) **Patent No.:** **US D902,977 S**

(45) **Date of Patent:** **** Nov. 24, 2020**

(54) **SECURITY CAMERA**

(71) Applicant: **Amazon Technologies, Inc.**, Seattle, WA (US)

(72) Inventors: **Matthew J England**, Santa Monica, CA (US); **Wen-Yo Lu**, Pasadena, CA (US); **Christopher Loew**, Palo Alto, CA (US)

(73) Assignee: **Amazon Technologies, Inc.**, Seattle, WA (US)

(**) Term: **15 Years**

(21) Appl. No.: **29/706,825**

(22) Filed: **Sep. 24, 2019**

(51) **LOC (12) Cl.** **16-01**

(52) **U.S. Cl.**
USPC **D16/203**

(58) **Field of Classification Search**
USPC D16/200, 202–206, 208, 218, 219, 242;
348/143, 148, 151, 373–376; 396/419,
396/427, 535, 539–541
CPC G03B 17/02; G03B 19/04; G03B 17/56;
G03B 17/04; G03B 15/03; H04N 5/2251;
H04N 5/2252; H04N 5/2253; H04N
5/2254; H04N 7/181; H04N 7/183; H04N
7/18; G08B 13/1963; G08B 13/19619;
G08B 13/19632; F16M 11/04; F16M
13/00

See application file for complete search history.

(56) **References Cited**

U.S. PATENT DOCUMENTS

D349,714 S * 8/1994 Hasegawa D16/203
D518,080 S * 3/2006 Uehara D16/202

D701,893 S * 4/2014 Bart D16/214
D747,383 S * 1/2016 Li D16/203
D781,361 S * 3/2017 Dimitriadis D16/203
D795,941 S * 8/2017 Dimitriadis D16/203
D798,935 S * 10/2017 Dimitriadis D16/203
D810,169 S * 2/2018 Bhattacharya D16/203
D818,515 S * 5/2018 Laurans D16/203
D821,477 S * 6/2018 Moon D16/203
D834,631 S * 11/2018 Park D16/203
D842,358 S * 3/2019 Puric D16/203
D865,025 S * 10/2019 Siminoff D16/203

* cited by examiner

Primary Examiner — Ramzi S Almatrahi

(74) *Attorney, Agent, or Firm* — Lee & Hayes, P.C.

(57) **CLAIM**

The ornamental design for a security camera, as shown and described.

DESCRIPTION

FIG. 1 is a top, front and right side perspective view of a security camera;

FIG. 2 is a front elevation view thereof;

FIG. 3 is a back elevation view thereof;

FIG. 4 is a left-side elevation view thereof;

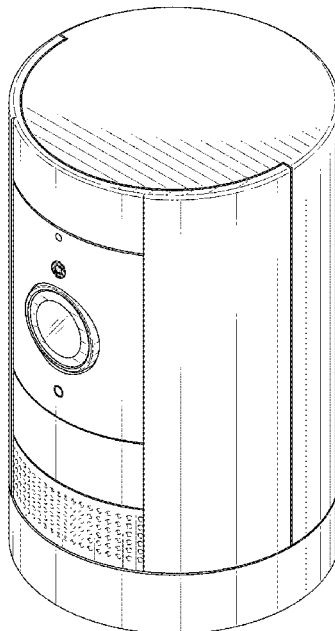
FIG. 5 is a right-side elevation view thereof;

FIG. 6 is a top plan view thereof; and,

FIG. 7 is a bottom plan view thereof.

The dashed broken lines depict portions of the security camera that form no part of the claimed design.

1 Claim, 7 Drawing Sheets



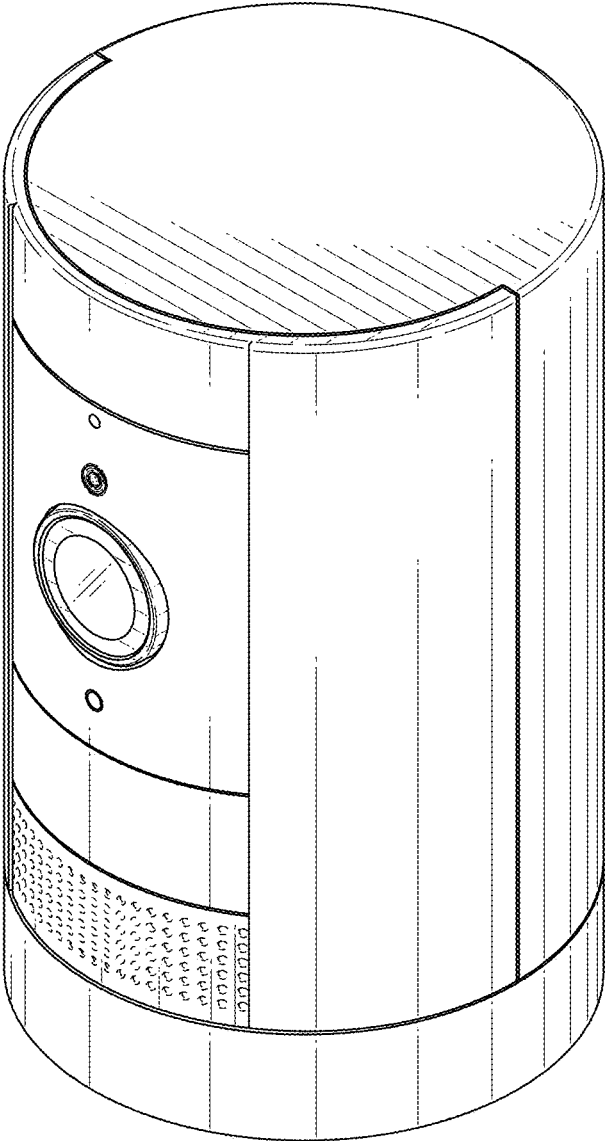


FIG. 1

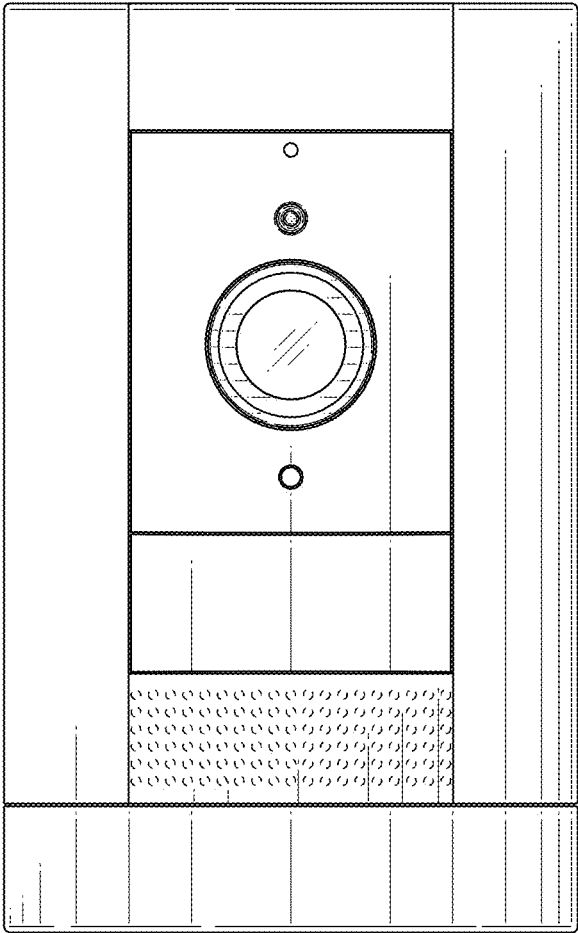


FIG. 2

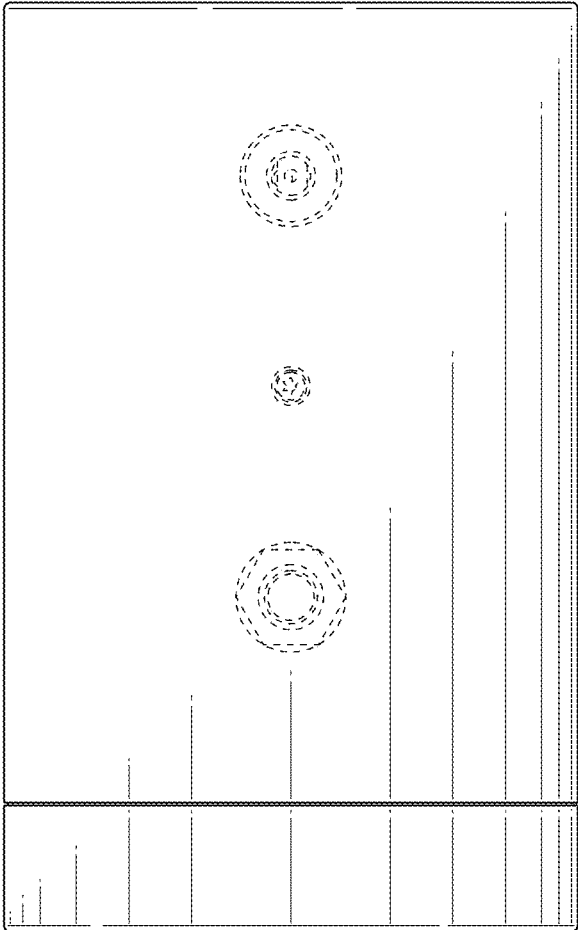


FIG. 3

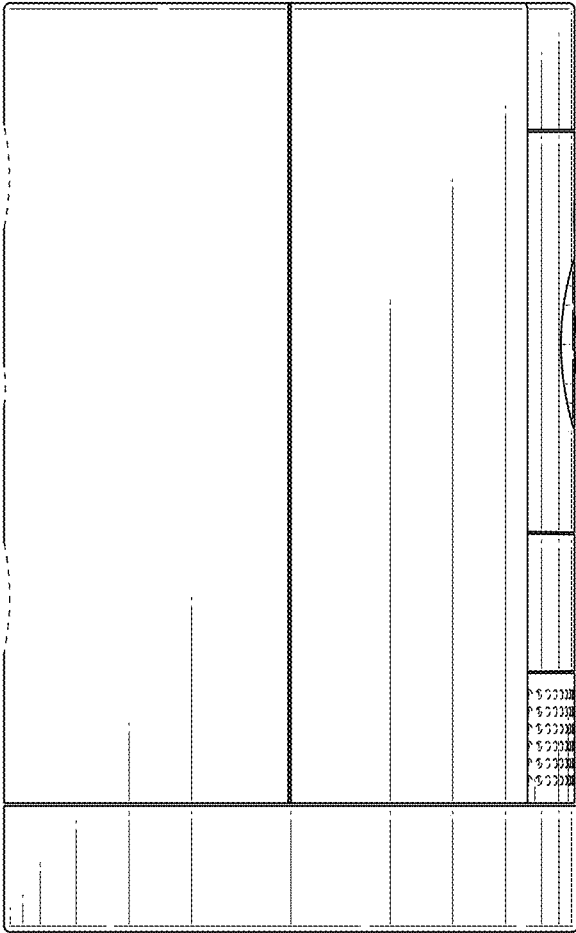


FIG. 4

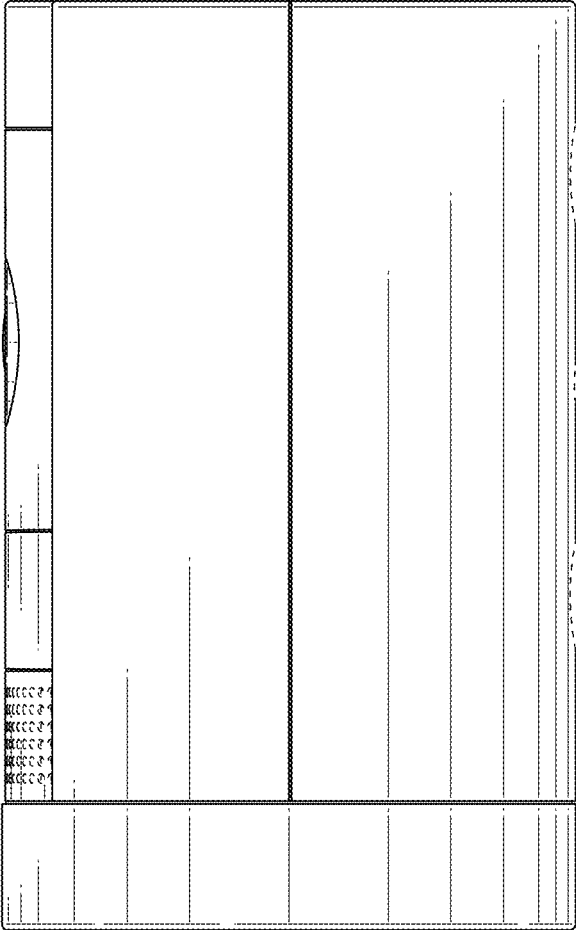


FIG. 5

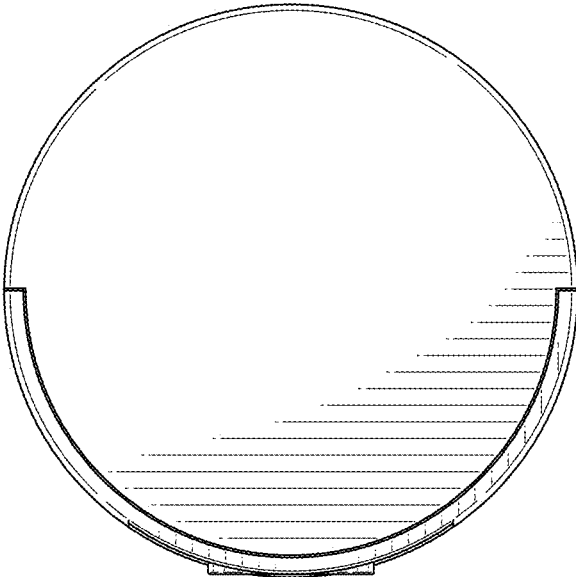


FIG. 6

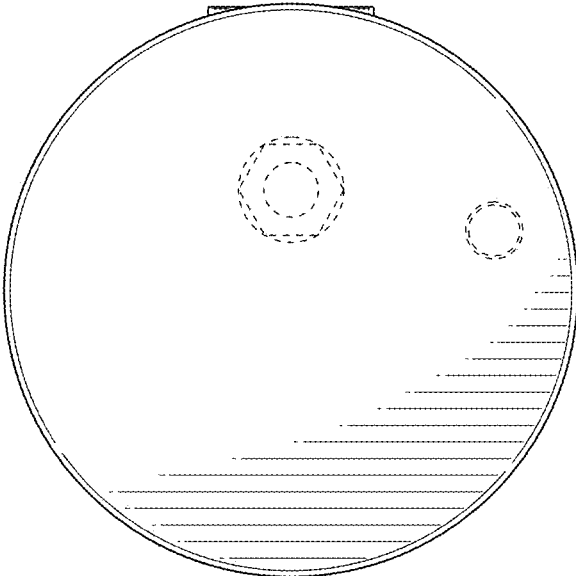


FIG. 7