

(19) World Intellectual Property
Organization
International Bureau



(43) International Publication Date
4 March 2004 (04.03.2004)

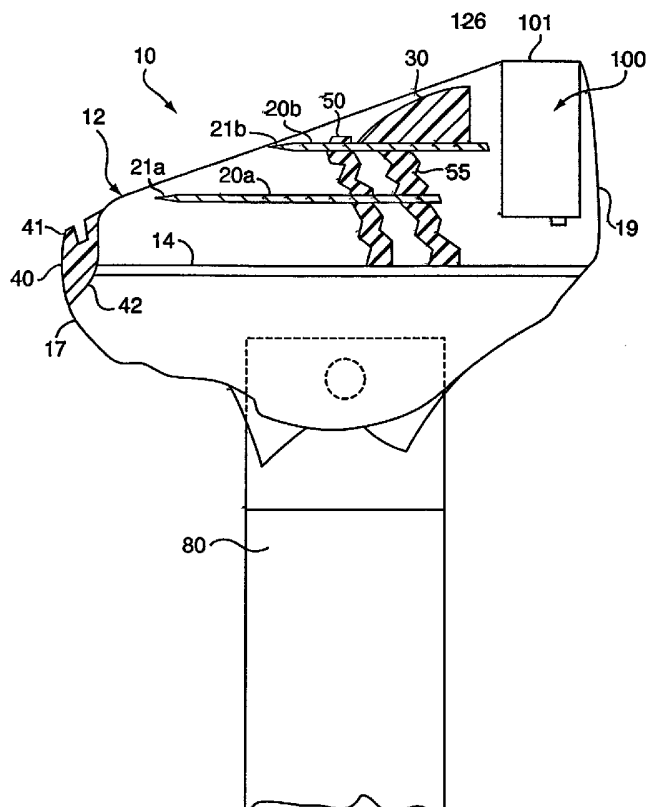
PCT

(10) International Publication Number
WO 2004/017785 A3

- (51) International Patent Classification⁷: **B26B 21/40**
- (21) International Application Number:
PCT/US2003/026392
- (22) International Filing Date: 21 August 2003 (21.08.2003)
- (25) Filing Language: English
- (26) Publication Language: English
- (30) Priority Data:
60/405,255 21 August 2002 (21.08.2002) US
- (71) Applicant: EVEREADY BATTERY COMPANY, INC.
[US/US]; 25225 Detroit Road, P.O. Box 450777, Westlake,
OH 44145 (US).
- (72) Inventor: ORLOFF, Glennis, J.; 11 Maple Vale Drive,
Woodbridge, CT 06525 (US).
- (74) Agents: MICHAUD, Richard, R. et al.; McCormick,
Paulding & Huber LLP, CityPlace II, 185 Asylum Street,
Hartford, CT 06103-3402 (US).
- (81) Designated States (*national*): AE, AG, AL, AM, AT, AU,
AZ, BA, BB, BG, BR, BY, BZ, CA, CH, CN, CO, CR, CU,
CZ, DE, DK, DM, DZ, EC, EE, ES, FI, GB, GD, GE, GH,
GM, HR, HU, ID, IL, IN, IS, JP, KE, KG, KP, KR, KZ, LC,
LK, LR, LS, LT, LU, LV, MA, MD, MG, MK, MN, MW,
MX, MZ, NI, NO, NZ, OM, PG, PH, PL, PT, RO, RU, SC,
SD, SE, SG, SK, SL, SY, TJ, TM, TN, TR, TT, TZ, UA,
UG, UZ, VC, VN, YU, ZA, ZM, ZW.
- (84) Designated States (*regional*): ARIPO patent (GH, GM,
KE, LS, MW, MZ, SD, SL, SZ, TZ, UG, ZM, ZW),
Eurasian patent (AM, AZ, BY, KG, KZ, MD, RU, TJ, TM),
European patent (AT, BE, BG, CH, CY, CZ, DE, DK, EE,
ES, FI, FR, GB, GR, HU, IE, IT, LU, MC, NL, PT, RO,
SE, SI, SK, TR), OAPI patent (BF, BJ, CF, CG, CI, CM,
GA, GN, GQ, GW, ML, MR, NE, SN, TD, TG).

[Continued on next page]

(54) Title: RAZOR HAVING A MICROFLUIDIC SHAVING AID DELIVERY SYSTEM AND METHOD OF EJECTING SHAVING AID



(57) Abstract: A razor assembly (10) includes a razor head (12) having at least one blade (20a, 20b), and a shaving aid delivery system (100) associated with the razor head (12). The shaving aid delivery system (100) includes a framework with a supply of at least one shaving aid fluid (90), a microfluidic circuit (121) for communicating the shaving aid fluid (90) from the supply to a plurality of outlet ports (126) along a surface of the framework, and a transport system (131) for driving the shaving aid fluid (90) from the supply through the microfluidic circuit (121).

WO 2004/017785 A3



Published:

- *with international search report*
- *before the expiration of the time limit for amending the claims and to be republished in the event of receipt of amendments*

For two-letter codes and other abbreviations, refer to the "Guidance Notes on Codes and Abbreviations" appearing at the beginning of each regular issue of the PCT Gazette.

(88) Date of publication of the international search report:

3 June 2004

INTERNATIONAL SEARCH REPORT

International application No.

PCT/US03/26392

A. CLASSIFICATION OF SUBJECT MATTER

IPC(7) : B26B 21/40
 US CL : 30/41,41.5

According to International Patent Classification (IPC) or to both national classification and IPC

B. FIELDS SEARCHED

Minimum documentation searched (classification system followed by classification symbols)
 U.S. : 30/41,41.5

Documentation searched other than minimum documentation to the extent that such documents are included in the fields searched

Electronic data base consulted during the international search (name of data base and, where practicable, search terms used)

C. DOCUMENTS CONSIDERED TO BE RELEVANT

Category *	Citation of document, with indication, where appropriate, of the relevant passages	Relevant to claim No.
X	US 4,809,432 A (SCHAUBLE) 07 March 1989 (07.03.1989), Figures 1-4.	1-4, 15
---		-----
Y		5-8, 11, 16-17
Y	US 4,984,364 A (SIMMONS) 15 January 1991 (15.01.1991), Figure 5.	8, 11
Y,E	US 2003/0154832 A1 (GUIMONT et al) 21 August 2003 (21.08.2003), page 4.	16
A	US 4,868,982 A (McCOMAS) 26 September 1989 (26.09.1989).	
A	US 5,283,952 A (MOCK et al) 08 February 1994 (08.02.1994).	

Further documents are listed in the continuation of Box C.

See patent family annex.

* Special categories of cited documents:		
"A"	document defining the general state of the art which is not considered to be of particular relevance	"T" later document published after the international filing date or priority date and not in conflict with the application but cited to understand the principle or theory underlying the invention
"E"	earlier application or patent published on or after the international filing date	"X" document of particular relevance; the claimed invention cannot be considered novel or cannot be considered to involve an inventive step when the document is taken alone
"L"	document which may throw doubts on priority claim(s) or which is cited to establish the publication date of another citation or other special reason (as specified)	"Y" document of particular relevance; the claimed invention cannot be considered to involve an inventive step when the document is combined with one or more other such documents, such combination being obvious to a person skilled in the art
"O"	document referring to an oral disclosure, use, exhibition or other means	
"P"	document published prior to the international filing date but later than the priority date claimed	"&" document member of the same patent family

Date of the actual completion of the international search

08 April 2004 (08.04.2004)

Date of mailing of the international search report

21 APR 2004

Name and mailing address of the ISA/US

Mail Stop PCT, Attn: ISA/US
 Commissioner for Patents
 P.O. Box 1450
 Alexandria, Virginia 22313-1450

Facsimile No. (703) 305-3230

Authorized officer

Stephen Choi
 Telephone No. 703-308-1148

Sheila H. Vekey
 Sheila H. Vekey
 Paralegal Specialist
 Tech. Center 3700

INTERNATIONAL SEARCH REPORT

International application No.

PCT/US03/26392

Box I Observations where certain claims were found unsearchable (Continuation of Item 1 of first sheet)

This international report has not been established in respect of certain claims under Article 17(2)(a) for the following reasons:

1. Claim Nos.:
because they relate to subject matter not required to be searched by this Authority, namely:

2. Claim Nos.:
because they relate to parts of the international application that do not comply with the prescribed requirements to such an extent that no meaningful international search can be carried out, specifically:

3. Claim Nos.:
because they are dependent claims and are not drafted in accordance with the second and third sentences of Rule 6.4(a).

Box II Observations where unity of invention is lacking (Continuation of Item 2 of first sheet)

This International Searching Authority found multiple inventions in this international application, as follows:
Please See Continuation Sheet

1. As all required additional search fees were timely paid by the applicant, this international search report covers all searchable claims.
2. As all searchable claims could be searched without effort justifying an additional fee, this Authority did not invite payment of any additional fee.
3. As only some of the required additional search fees were timely paid by the applicant, this international search report covers only those claims for which fees were paid, specifically claims Nos.:

4. No required additional search fees were timely paid by the applicant. Consequently, this international search report is restricted to the invention first mentioned in the claims; it is covered by claims Nos.:

Remark on Protest

The additional search fees were accompanied by the applicant's protest.

No protest accompanied the payment of additional search fees.

BOX II. OBSERVATIONS WHERE UNITY OF INVENTION IS LACKING

This application contains claims directed to more than one species of the generic invention. These species are deemed to lack unity of invention because they are not so linked as to form a single general inventive concept under PCT Rule 13.1.

In order for more than one species to be examined, the appropriate additional examination fees must be paid. The species are as follows:

Species A	-	The embodiment shown on Figure 4.
Species B	-	The embodiment shown on Figure 5.

The claims are deemed to correspond to the species listed above in the following manner:

Claim 10 reads on the species A.

Claim 11 reads on the species B.

The following claim(s) are generic: 1-9 and 12-18.

The species listed above do not relate to a single general inventive concept under PCT Rule 13.1 because, under PCT Rule 13.2, the species lack the same or corresponding special technical features for the following reasons: the species A contains a slidably movable piston and the species B contains a flexibly expandable pouch.