



- (51) International Patent Classification:
C25C 7/08 (2006.01)
- (21) International Application Number:
PCT/US2012/058661
- (22) International Filing Date:
4 October 2012 (04.10.2012)
- (25) Filing Language: English
- (26) Publication Language: English
- (30) Priority Data:
13/335,209 22 December 2011 (22.12.2011) US
- (71) Applicant: **GE-HITACHI NUCLEAR ENERGY AMERICAS LLC** [US/US]; 3901 Castle Hayne Road, Wilmington, NC 28401 (US).
- (72) Inventor (for US only): **WILLIAMSON, Mark, A.**; 3812 Grassmere Road, Naperville, IL 60564 (US).
- (72) Inventor: **WIEDMEYER, Stanley, G.**; 23 W030 Tamarack Drive, Glen Ellyn, IL 60137 (US).
- (72) Inventors (for US only): **WILLIT, James, L.**; 241 N. Jefferson Street, Batavia, IL 60510 (US). **BARNES, Laurel, A.**; 1633 E. Hyde Park Blvd., Chicago, IL 60615 (US). **BLASKOVITZ, Robert, J.**; 13028 Woodland Dr. Lockport, Lockport, IL 60491 (US).
- (74) Agents: **GNIBUS, Michael, M.** et al.; General Electric Company, Global Patent Operation, 2 Corporate Drive, Suite 648, Shelton, CT 06484 (US).

- (81) Designated States (unless otherwise indicated, for every kind of national protection available): AE, AG, AL, AM, AO, AT, AU, AZ, BA, BB, BG, BH, BN, BR, BW, BY, BZ, CA, CH, CL, CN, CO, CR, CU, CZ, DE, DK, DM, DO, DZ, EC, EE, EG, ES, FI, GB, GD, GE, GH, GM, GT, HN, HR, HU, ID, IL, IN, IS, JP, KE, KG, KM, KN, KP, KR, KZ, LA, LC, LK, LR, LS, LT, LU, LY, MA, MD, ME, MG, MK, MN, MW, MX, MY, MZ, NA, NG, NI, NO, NZ, OM, PA, PE, PG, PH, PL, PT, QA, RO, RS, RU, RW, SC, SD, SE, SG, SK, SL, SM, ST, SV, SY, TH, TJ, TM, TN, TR, TT, TZ, UA, UG, US, UZ, VC, VN, ZA, ZM, ZW.
- (84) Designated States (unless otherwise indicated, for every kind of regional protection available): ARIPO (BW, GH, GM, KE, LR, LS, MW, MZ, NA, RW, SD, SL, SZ, TZ, UG, ZM, ZW), Eurasian (AM, AZ, BY, KG, KZ, RU, TJ, TM), European (AL, AT, BE, BG, CH, CY, CZ, DE, DK, EE, ES, FI, FR, GB, GR, HR, HU, IE, IS, IT, LT, LU, LV, MC, MK, MT, NL, NO, PL, PT, RO, RS, SE, SI, SK, SM, TR), OAPI (BF, BJ, CF, CG, CI, CM, GA, GN, GQ, GW, ML, MR, NE, SN, TD, TG).

Declarations under Rule 4.17:

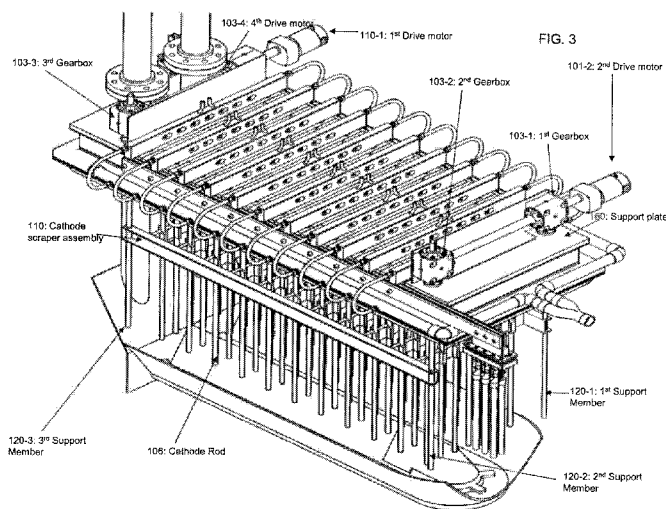
- as to applicant's entitlement to apply for and be granted a patent (Rule 4.17(ii))
- as to the applicant's entitlement to claim the priority of the earlier application (Rule 4.17(iii))

Published:

- with international search report (Art. 21(3))

[Continued on next page]

(54) Title: CATHODE SCRAPER SYSTEM AND METHOD OF USING THE SAME FOR REMOVING URANIUM



(57) Abstract: Embodiments include a cathode scraper system and/ or method of using the same for removing uranium. The cathode scraper system includes a plurality of cathode assemblies. Each cathode assembly includes a plurality of cathode rods. The cathode scraper system also includes a cathode scraper assembly configured to remove purified uranium deposited on the plurality of cathode rods. The cathode scraper assembly includes a plurality of scrapers arranged in a lattice, and each scraper of the plurality of scrapers is arranged to correspond to a different cathode rod.





— *before the expiration of the time limit for amending the claims and to be republished in the event of receipt of amendments (Rule 48.2(h))*

(88) Date of publication of the international search report:
26 September 2013

INTERNATIONAL SEARCH REPORT

International application No
PCT/US2012/058661

A. CLASSIFICATION OF SUBJECT MATTER
INV. C25C7/08
ADD.
According to International Patent Classification (IPC) or to both national classification and IPC

B. FIELDS SEARCHED
Minimum documentation searched (classification system followed by classification symbols)
C25C

Documentation searched other than minimum documentation to the extent that such documents are included in the fields searched

Electronic data base consulted during the international search (name of data base and, where practicable, search terms used)
EPO-Internal, WPI Data

C. DOCUMENTS CONSIDERED TO BE RELEVANT

Category*	Citation of document, with indication, where appropriate, of the relevant passages	Relevant to claim No.
X	J. Figueroa ET AL: "GTRI PROGRESS IN DEVELOPING PYROCHEMICAL PROCESSES FOR RECOVERY OF FABRICATION SCRAP AND REPROCESSING OF MONOLITHIC U-MO FUEL", RERTR 2011 - INTERNATIONAL MEETING ON REDUCED ENRICHMENT FOR RESEARCH AND TEST REACTORS, 23 October 2011 (2011-10-23), XP055071122, Retrieved from the Internet: URL:http://www.rertr.anl.gov/RERTR33/pdfs/S11-P4_Figueroa.pdf [retrieved on 2013-07-12]	1-5,7,8, 10-12
Y	abstract; figure 1 "2.1 Experimental Setup"; page 2 ----- -/--	9

Further documents are listed in the continuation of Box C.

See patent family annex.

* Special categories of cited documents :

- "A" document defining the general state of the art which is not considered to be of particular relevance
- "E" earlier application or patent but published on or after the international filing date
- "L" document which may throw doubts on priority claim(s) or which is cited to establish the publication date of another citation or other special reason (as specified)
- "O" document referring to an oral disclosure, use, exhibition or other means
- "P" document published prior to the international filing date but later than the priority date claimed

- "T" later document published after the international filing date or priority date and not in conflict with the application but cited to understand the principle or theory underlying the invention
- "X" document of particular relevance; the claimed invention cannot be considered novel or cannot be considered to involve an inventive step when the document is taken alone
- "Y" document of particular relevance; the claimed invention cannot be considered to involve an inventive step when the document is combined with one or more other such documents, such combination being obvious to a person skilled in the art
- "&" document member of the same patent family

Date of the actual completion of the international search 12 July 2013	Date of mailing of the international search report 25/07/2013
Name and mailing address of the ISA/ European Patent Office, P.B. 5818 Patentlaan 2 NL - 2280 HV Rijswijk Tel. (+31-70) 340-2040, Fax: (+31-70) 340-3016	Authorized officer Cojuhovschi, Oana

INTERNATIONAL SEARCH REPORT

International application No
PCT/US2012/058661

C(Continuation). DOCUMENTS CONSIDERED TO BE RELEVANT		
Category*	Citation of document, with indication, where appropriate, of the relevant passages	Relevant to claim No.
X	US 2011/180409 A1 (WILLIT JAMES L [US] ET AL) 28 July 2011 (2011-07-28)	1-5,7,8, 10-12
Y	abstract; figure 1 page 1, paragraph 0005 - paragraph 0006 page 4, paragraph 0028 -----	9
X	US 2005/067291 A1 (HAIKI KENJI [JP] ET AL) 31 March 2005 (2005-03-31)	1-5,7,8
	abstract; figures 3, 4 page 2, paragraph 0028 page 3, paragraph 0042 -----	
Y	JP H05 279887 A (MITSUBISHI MATERIALS CORP) 26 October 1993 (1993-10-26)	9
	the whole document -----	
Y	EP 0 286 092 A1 (MITSUBISHI METAL CORP [JP]) 12 October 1988 (1988-10-12)	9
	column 3, line 23 - line 41; claim 1 column 8, line 5 - line 39; figures 1, 4 -----	
Y	AU 622 994 B2 (COMINCO LTD) 30 April 1992 (1992-04-30)	9
	page 15, line 1 - page 16, line 22; claims 1, 20; figures 2, 3, 5-7 -----	

INTERNATIONAL SEARCH REPORT

Information on patent family members

International application No

PCT/US2012/058661

Patent document cited in search report	Publication date	Patent family member(s)	Publication date
US 2011180409	A1	28-07-2011	NONE

US 2005067291	A1	31-03-2005	AU 2004205092 A1 14-04-2005
			JP 3913725 B2 09-05-2007
			JP 2005105351 A 21-04-2005
			US 2005067291 A1 31-03-2005

JP H05279887	A	26-10-1993	JP 3074919 B2 07-08-2000
			JP H05279887 A 26-10-1993

EP 0286092	A1	12-10-1988	AU 612639 B2 18-07-1991
			AU 1445288 A 13-10-1988
			CA 1329381 C 10-05-1994
			DE 3877238 D1 18-02-1993
			DE 3877238 T2 29-04-1993
			EP 0286092 A1 12-10-1988
			FI 881676 A 11-10-1988
			US 4851098 A 25-07-1989

AU 622994	B2	30-04-1992	AU 622994 B2 30-04-1992
			AU 5246690 A 14-11-1991
