



US00D749779S

(12) **United States Design Patent**  
**Ahmad**

(10) **Patent No.:** **US D749,779 S**

(45) **Date of Patent:** **\*\* Feb. 16, 2016**

- (54) **ELECTRONIC HOOKAH HEAD**
- (71) Applicant: **Thaer Ahmad**, Pomona, CA (US)
- (72) Inventor: **Thaer Ahmad**, Pomona, CA (US)
- (\*\*) Term: **14 Years**
- (21) Appl. No.: **29/495,820**
- (22) Filed: **Jul. 3, 2014**
- (51) **LOC (10) Cl.** ..... **27-02**
- (52) **U.S. Cl.**  
USPC ..... **D27/162**
- (58) **Field of Classification Search**  
USPC ..... D27/162-169; 131/173, 178, 214, 222,  
131/226, 329, 330; 215/370; D9/500, 516,  
D9/519, 557, 558  
CPC ..... A24F 1/00; A24F 1/30; A24F 1/32;  
A24F 3/00; A24F 5/00; A24F 7/00; A24F  
9/00; A24F 9/14  
See application file for complete search history.

- 8,464,725 B2 \* 6/2013 Badawi ..... A24D 1/14  
131/173
- D731,113 S \* 6/2015 Wu ..... D27/101
- 2007/0215164 A1 \* 9/2007 Mehio ..... A24F 1/30  
131/173
- 2015/0075544 A1 \* 3/2015 Portz ..... A24D 1/14  
131/328
- 2015/0107607 A1 \* 4/2015 Mehio ..... A24F 5/00  
131/226

\* cited by examiner

*Primary Examiner* — Elizabeth Albert  
(74) *Attorney, Agent, or Firm* — Cotman IP Law Group, PLC

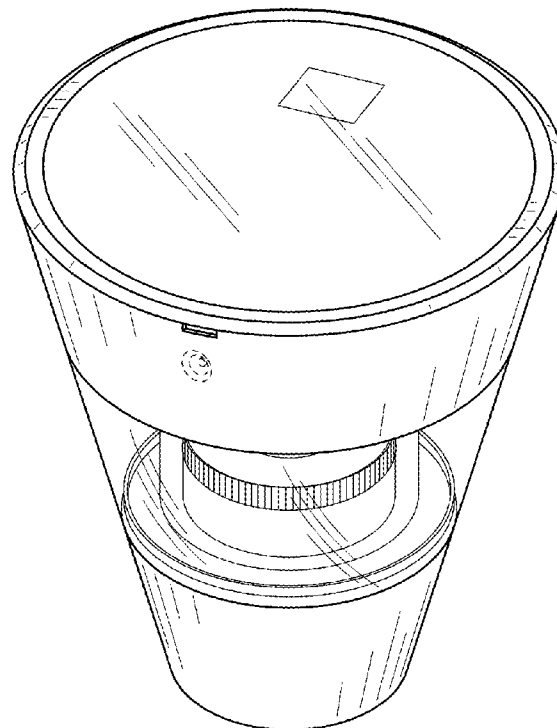
(57) **CLAIM**  
The ornamental design for an electronic hookah head, as shown and described.

**DESCRIPTION**

FIG. 1 is a perspective view of an electronic hookah head showing a new design;  
FIG. 2 is a left side elevation view of FIG. 1;  
FIG. 3 is a right side elevation view of FIG. 1;  
FIG. 4 is a top plan view of FIG. 1; and,  
FIG. 5 is a bottom plan view of FIG. 1.  
The broken lines are included for the purpose of showing portions of the electronic hookah head that form no part of the claimed design.

**1 Claim, 3 Drawing Sheets**

- (56) **References Cited**  
U.S. PATENT DOCUMENTS  
1,093,873 A \* 4/1914 Mitchell ..... B65D 21/086  
220/8  
D220,204 S \* 3/1971 Gahm ..... D7/512  
D273,715 S \* 5/1984 Sher ..... D27/162  
D317,405 S \* 6/1991 Yasika ..... D3/203.2  
D558,919 S \* 1/2008 Kassir ..... D27/162



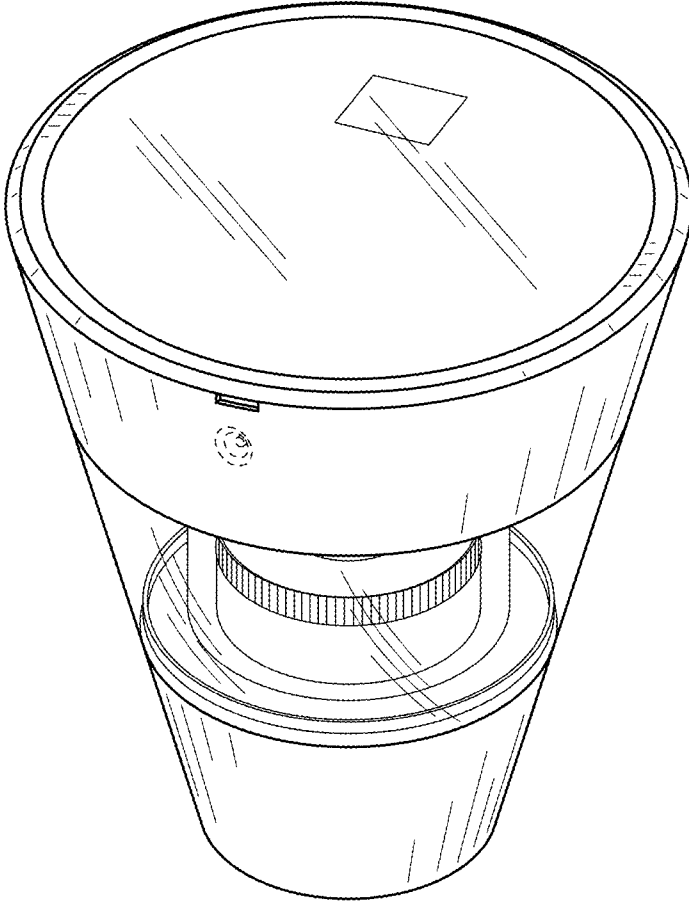


FIG. 1

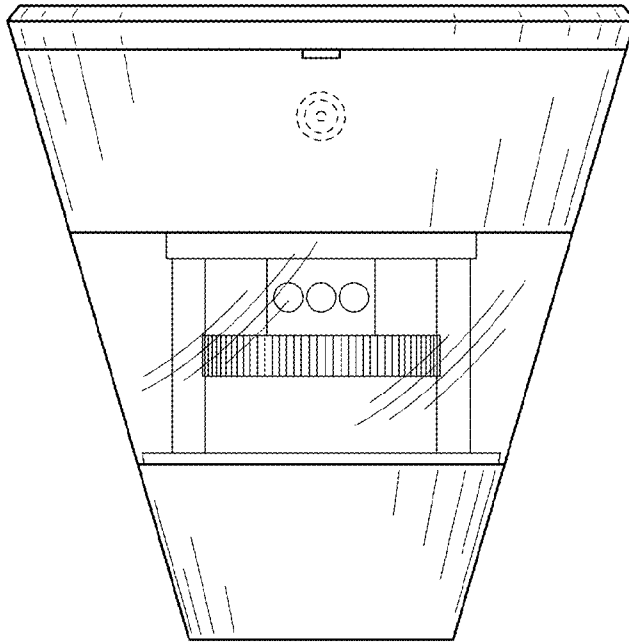


FIG. 2

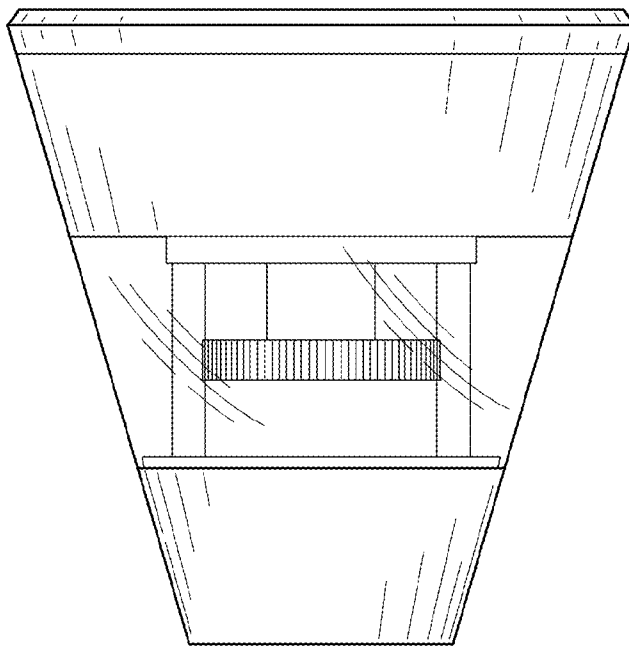


FIG. 3

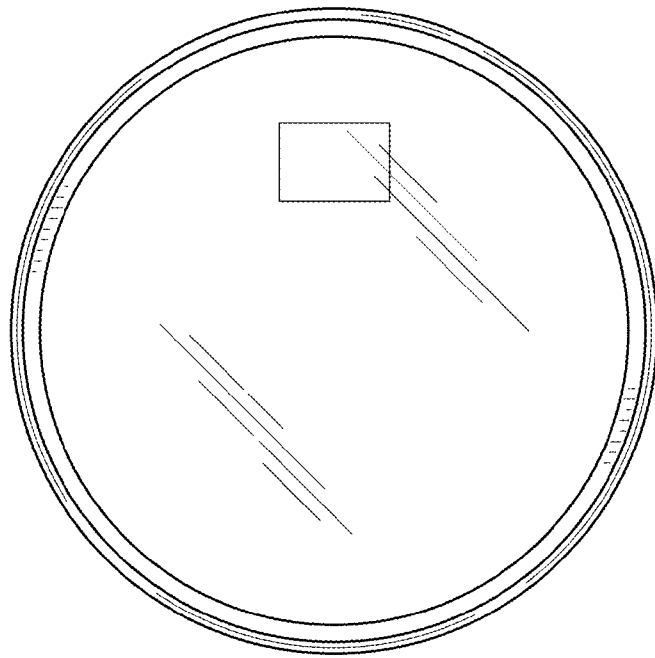


FIG. 4

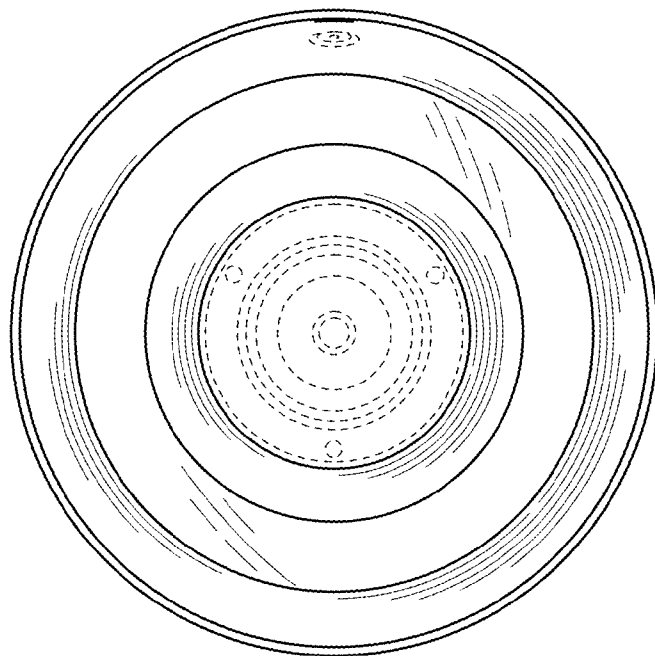


FIG. 5