



(86) Date de dépôt PCT/PCT Filing Date: 2008/03/14
 (87) Date publication PCT/PCT Publication Date: 2009/04/23
 (85) Entrée phase nationale/National Entry: 2011/03/14
 (86) N° demande PCT/PCT Application No.: US 2008/057105
 (87) N° publication PCT/PCT Publication No.: 2009/051853
 (30) Priorités/Priorities: 2007/10/15 (US60/980,157);
 2007/10/23 (US60/982,053); 2007/11/09 (US60/986,979)

(51) Cl.Int./Int.Cl. *H02J 1/10* (2006.01),
H02J 3/38 (2006.01), *H02M 3/04* (2006.01),
H02M 7/44 (2006.01)
 (71) Demandeur/Applicant:
 AMPT, LLC, US
 (72) Inventeurs/Inventors:
 LEDENEV, ANATOLI, US;
 PORTER, ROBERT M., US
 (74) Agent: SIM & MCBURNEY

(54) Titre : SYSTEMES POUR ENERGIE SOLAIRE HAUTEMENT EFFICACE
 (54) Title: SYSTEMS FOR HIGHLY EFFICIENT SOLAR POWER

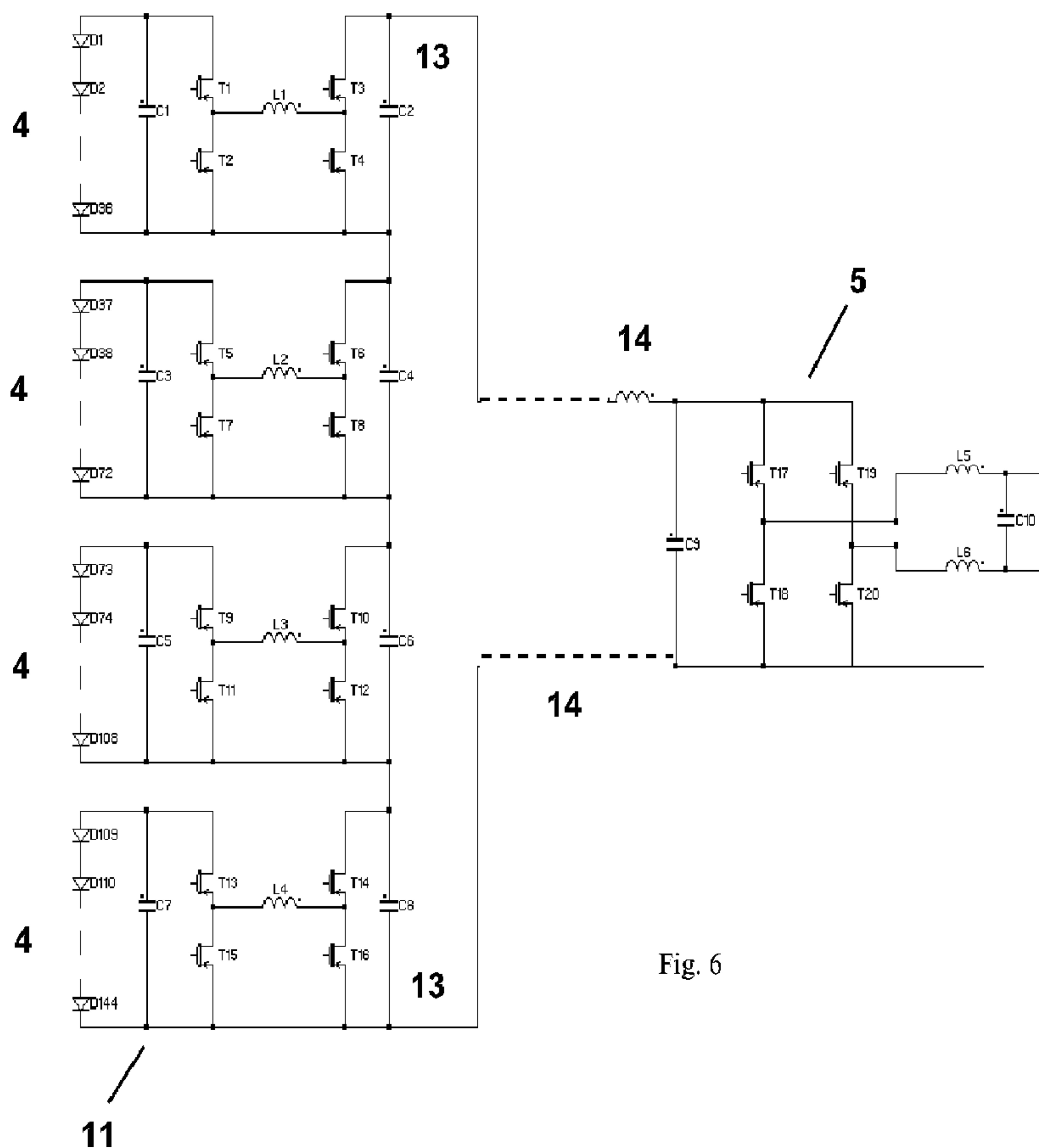


Fig. 6

(57) Abrégé/Abstract:

Different systems to achieve solar power conversion are provided in at least three different general aspects, with circuitry that can be used to harvest maximum power from a solar source (1) or strings of panels (11) for DC or AC use, perhaps for transfer to a

(57) **Abrégé(suite)/Abstract(continued):**

power grid (10) three aspects can exist perhaps independently and relate to: 1) electrical power conversion in a multimodal manner, 2) alternating between differing processes such as by an alternative mode photovoltaic power converter functionality control (27), and 3) systems that can achieve efficiencies in conversion that are extraordinarily high compared to traditional through substantially power isomorphic photovoltaic DC-DC power conversion capability that can achieve 99.2% efficiency or even only wire transmission losses. Switchmode impedance conversion circuits may have pairs of photovoltaic power series switch elements (24) and pairs of photovoltaic power shunt switch elements (25).

(12) INTERNATIONAL APPLICATION PUBLISHED UNDER THE PATENT COOPERATION TREATY (PCT)

(19) World Intellectual Property Organization
International Bureau



(43) International Publication Date
23 April 2009 (23.04.2009)

PCT

(10) International Publication Number
WO 2009/051853 A1

(51) International Patent Classification:
H02J 1/10 (2006.01)

(21) International Application Number:

PCT/US2008/057105

(22) International Filing Date: 14 March 2008 (14.03.2008)

(25) Filing Language: English

(26) Publication Language: English

(30) Priority Data:

60/980,157	15 October 2007 (15.10.2007)	US
60/982,053	23 October 2007 (23.10.2007)	US
60/986,979	9 November 2007 (09.11.2007)	US

(71) Applicant (for all designated States except US): **AND, LLC** [US/US]; 201 Linden Street, Suite 204, Fort Collins, CO 80524 (US).

(72) Inventors; and

(75) Inventors/Applicants (for US only): **LEDENEV, Anatoli** [RU/US]; 719 Parliament Ct., Fort Collins, CO 80525 (US). **PORTER, Robert, M.** [US/US]; 5927 Cottonwood Shores Drive, Wellington, CO 80549 (US).

(74) Agent: **SANTANGELO, Luke**; Santangelo Law Offices, P.C., 125 South Howes, Third Floor, Fort Collins, CO 80521 (US).

(81) Designated States (unless otherwise indicated, for every kind of national protection available): AE, AG, AL, AM, AO, AT, AU, AZ, BA, BB, BG, BH, BR, BW, BY, BZ, CA, CH, CN, CO, CR, CU, CZ, DE, DK, DM, DO, DZ, EC, EE, EG, ES, FI, GB, GD, GE, GH, GM, GT, HN, HR, HU, ID, IL, IN, IS, JP, KE, KG, KM, KN, KP, KR, KZ, LA, LC, LK, LR, LS, LT, LU, LY, MA, MD, ME, MG, MK, MN, MW, MX, MY, MZ, NA, NG, NI, NO, NZ, OM, PG, PH, PL, PT, RO, RS, RU, SC, SD, SE, SG, SK, SL, SM, SV, SY, TJ, TM, TN, TR, TT, TZ, UA, UG, US, UZ, VC, VN, ZA, ZM, ZW.

(84) Designated States (unless otherwise indicated, for every kind of regional protection available): ARIPO (BW, GH, GM, KE, LS, MW, MZ, NA, SD, SL, SZ, TZ, UG, ZM, ZW), Eurasian (AM, AZ, BY, KG, KZ, MD, RU, TJ, TM), European (AT, BE, BG, CH, CY, CZ, DE, DK, EE, ES, FI, FR, GB, GR, HR, HU, IE, IS, IT, LT, LU, LV, MC, MT, NL, NO, PL, PT, RO, SE, SI, SK, TR), OAPI (BF, BJ, CF, CG, CI, CM, GA, GN, GQ, GW, ML, MR, NE, SN, TD, TG).

Declarations under Rule 4.17:

- as to applicant's entitlement to apply for and be granted a patent (Rule 4.17(ii))
- of inventorship (Rule 4.17(iv))

Published:

- with international search report

(54) Title: SYSTEMS FOR HIGHLY EFFICIENT SOLAR POWER

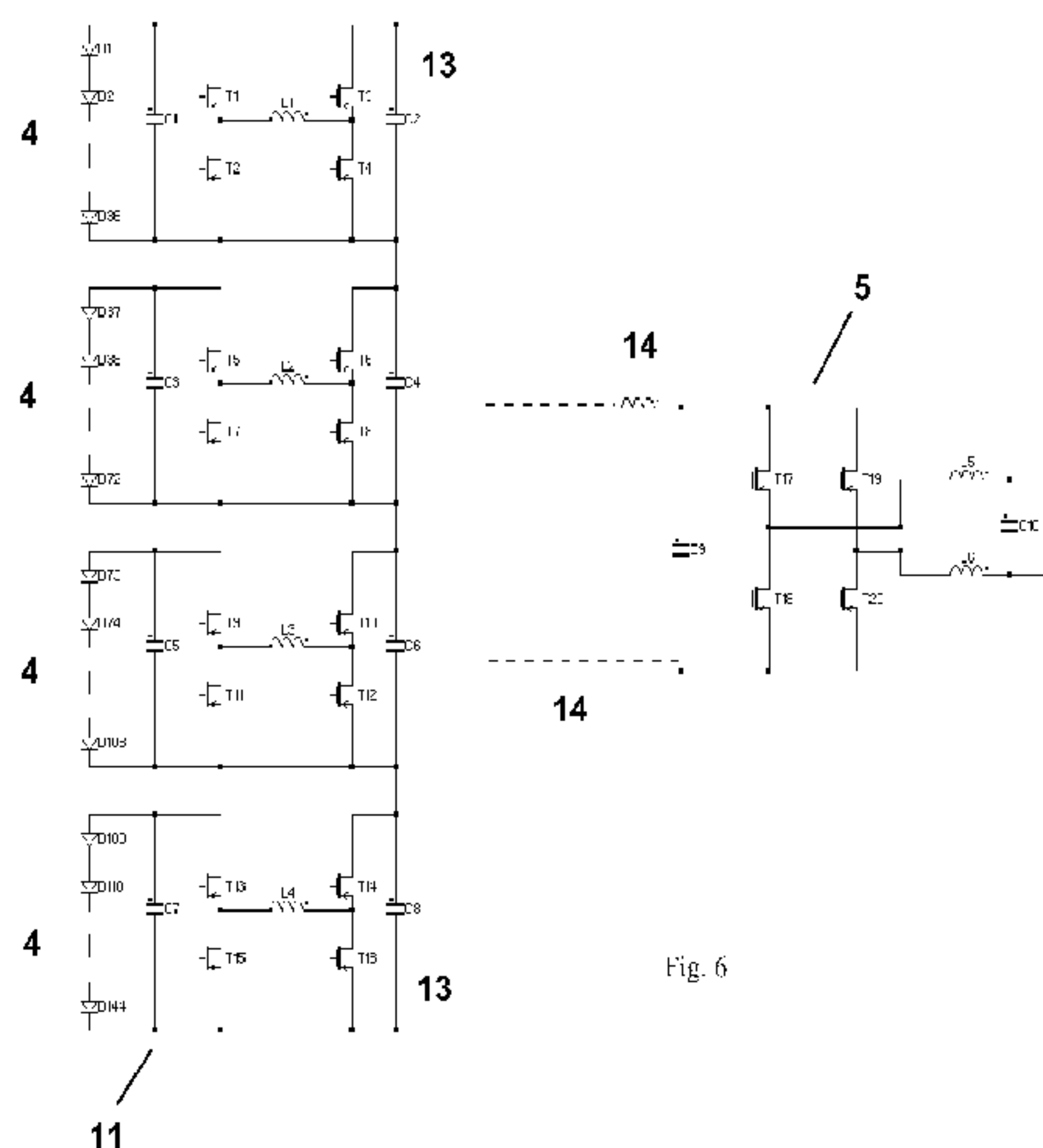


Fig. 6

(57) Abstract: Different systems to achieve solar power conversion are provided in at least three different general aspects, with circuitry that can be used to harvest maximum power from a solar source (1) or strings of panels (11) for DC or AC use, perhaps for transfer to a power grid (10) three aspects can exist perhaps independently and relate to: 1) electrical power conversion in a multi-modal manner, 2) alternating between differing processes such as by an alternative mode photovoltaic power converter functionality control (27), and 3) systems that can achieve efficiencies in conversion that are extraordinarily high compared to traditional through substantially power isomorphic photovoltaic DC-DC power conversion capability that can achieve 99.2% efficiency or even only wire transmission losses. Switchmode impedance conversion circuits may have pairs of photovoltaic power series switch elements (24) and pairs of photovoltaic power shunt switch elements (25).

WO 2009/051853 A1

Systems for Highly Efficient Solar Power

TECHNICAL FIELD

This invention relates to the technical field of solar power, specifically, methods and apparatus
5 for converting electrical power from some type of solar energy source to make it available for
use in a variety of applications. Through perhaps three different aspects, the invention provides
techniques and circuitry that can be used to harvest maximum power from a solar cell, a solar
panel, or strings of panels so that this power can be provided for DC or AC use, perhaps for
transfer to a power grid or the like. These three aspects can exist perhaps independently and
10 relate to: 1) providing electrical power conversion in a multimodal manner, 2) establishing a
system that can alternate between differing processes, and 3) systems that can achieve
efficiencies in conversion that are extraordinarily high compared to traditional systems.

BACKGROUND

Solar power is one of the more desirable types of renewal energy. For years it has been touted as
15 one of the most promising for our increasingly industrialized society. Even though the amount
of solar power theoretically available far exceeds most, if not all, other energy sources
(renewable or not), there remain practical challenges to utilizing this energy. In general, solar
power remains subject to a number of limitations that have kept it from fulfilling the promise it
holds. In one regard, it has been a challenge to implement in a manner that provides adequate
20 electrical output as compared to its cost. The present invention addresses an important aspect of
this in a manner that significantly increases the ability to cost-effectively permit solar power to
be electrically harnessed so that it may be a cost-effective source of electrical power.

One of the most efficient ways to convert solar power into electrical energy is through the use of
solar cells. These devices create a photovoltaic DC current through the photovoltaic effect.
25 Often these solar cells are linked together electrically to make a combination of cells into a solar
panel or a PV (photovoltaic) panel. PV panels are often connected in series to provide high
voltage at a reasonable current. This may be accomplished to make electrical interconnect losses
low. The output of a solar cell or a solar panel, or even combinations thereof, is frequently then

converted to make the electrical power most usable since the power converters often employed can use high voltage input more effectively. Conventional power converters sometimes even have at their input handled by an MPPT (maximum power point tracking) circuit to extract the maximum amount of power from one or more or even a string of series connected panels. One
5 problem that arises with this approach, though, is that often the PV panels act as current sources and when combined in a series string, the lowest power panel can limit the current through every other panel.

Furthermore, solar cells historically have been made from semiconductors such as silicon pn junctions. These junctions or diodes convert sunlight into electrical power. These diodes can
10 have a characteristically low voltage output, often on the order of 0.6 volts. Such cells may behave like current sources in parallel with a forward diode. The output current from such a cell may be a function of many construction factors and, is often directly proportional to the amount of sunlight.

The low voltage of such a solar cell can be difficult to convert to power suitable for supplying
15 power to an electric power grid. Often, many diodes are connected in series on a photovoltaic panel. For example, a possible configuration could have 36 diodes or panels connected in series to make 21.6 volts. With the shunt diode and interconnect losses in practice such panels might only generate 15 volts at their maximum power point (MPP). For some larger systems having many such panels, even 15 volts may be too low to deliver over a wire without substantial losses.
20 In addition, typical systems today may combine many panels in series to provide voltages in the 100's of volts in order to minimize the conduction loss between the PV panels and a power converter.

Electrically, however, there can be challenges to finding the right input impedance for a converter to extract the maximum power from such a string of PV panels. The aspect of
25 extracting power at a maximum power point is often referred to as MPP tracking. Some such systems exist, however, there remain limitations, some of which are discussed here. First, the PV panels may act as current sources. As such, the panel producing the lowest current may limit the current through the whole string. In an undesirable case, if one weak panel is producing moderately less, it might become back biased by the remainder of the panels. Reverse diodes

can be placed across each panel to limit the power loss in this case and to protect the panel from reverse breakdown.

In systems, at least the following problems can arise and cause some degree of loss in solar energy harvesting:

- 5 A. Non-uniformity between panels.
- B. Partial shade
- C. Dirt or accumulated matter blocking sunlight
- D. Damage to a panel
- E. Non-uniform degradation of panels over time

10 It may also be troublesome when expensive PV panels are placed in series and the weakest panel limits the power from every other panel. Unfortunately, the series connection may be desired to get high enough voltage to efficiently transmit power through a local distribution to a load, perhaps such as a grid-tied inverter. Further, in many systems, the PV panels may be located on a rooftop, such as for a residential installation. And the inverter is often located at a distance
15 from the rooftop, such as by the power meter or the like. So in embodiments, a way to connect the panels in series but not suffer the losses caused by the lowest power panel, or any series parallel combination, may be needed. There may also be a desire to use unlike types of panels at the same time perhaps without regarding to the connection configuration desired (series or parallel, etc.).

20 The techniques of photovoltaic power conversion have been recognized as an important limit to solar energy ultimately realizing its potential. Methods of solar power conversion have been proposed that utilize DC/DC converters on each panel along with an MPP circuit as one attempt to enhance the efficiency of energy harvesting when utilizing strings of solar panels. Such attempts, however, have resulted in unacceptably low efficiencies that have made such
25 approaches impractical. These techniques have even been dismissed to some degree by those considering such issues. For example, in the article by G.R. Walker, J. Xue and P. Sernia entitled “PV String Per-Module Maximum Power Point Enabling Converters” those authors may have even

suggested that efficiency losses were inevitable but that this module approach held advantages, even though it was attended by poor efficiency. Similarly, two of the same authors, G.R. Walker and P. Sernia in the article entitled “Cascaded DC–DC Converter Connection of Photovoltaic Modules” suggested that the needed technologies are always at an efficiency disadvantage.

5 These references even include an efficiency vs. power graph showing a full power efficiency of approximately 91%. With the high cost of PV panels operation through a low efficiency converter is simply not acceptable in the marketplace.

Another less understood problem with large series strings of PV panels may be with highly
10 varying output voltage, the inverter stage driving the grid may need to operate over a very wide range also lowering its efficiency. It may also be a problem if during periods of time when the inverter section is not powering the grid that the input voltage to this stage may increase above regulatory limits. Or conversely, if the voltage during this time is not over a regulatory limit then the final operational voltage may be much lower than the ideal point of efficiency for the
15 inverter.

In addition, there may be start-up and protection issues which add significant cost to the overall power conversion process. Other less obvious issues affecting Balance of System (BOS) costs for a solar power installation are also involved. Thus, what at least one aspect of electrical solar
20 power needs is an improvement in efficiency in the conversion stage of the electrical system. The present invention provides this needed improvement.

DISCLOSURE OF THE INVENTION

As mentioned with respect to the field of invention, the invention includes a variety of aspects, which may be combined in different ways. The following descriptions are provided to list
25 elements and describe some of the embodiments of the present invention. These elements are listed with initial embodiments, however it should be understood that they may be combined in any manner and in any number to create additional embodiments. The variously described examples and preferred embodiments should not be construed to limit the present invention to only the explicitly described systems, techniques, and applications. Further, this description
30 should be understood to support and encompass descriptions and claims of all the various

embodiments, systems, techniques, methods, devices, and applications with any number of the disclosed elements, with each element alone, and also with any and all various permutations and combinations of all elements in this or any subsequent application.

In various embodiments, the present invention discloses achievements, systems, and different initial exemplary architectures through which one may achieve some of the goals of the present invention. Systems provide alternating modes of photovoltaic conversion, high efficiency conversion designs, and even multimodal conversion techniques. Some architectures may combine a PV panel with MPP and even a dual mode power conversion circuit to make what may be referred to as a Power Conditioner (PC) element. As discussed below, such Power Conditioners may be combined in series or parallel or any combination of series/parallel and can be designed so that the solar panels will largely or even always produce their full output. Even differing types of panels having different output characteristics may be combined to produce maximum power from each panel. In some designs, a series string may be used to get a high voltage useful for power transmission, and each Power Conditioner can be designed to make its maximum power.

In embodiments, this invention may permit each and every panel to individually produce its maximum power thereby harvesting more total energy from the overall system. Systems may be configured with an MPP circuit and a power conversion circuit on each panel. These circuits may be made as simple inexpensive circuitry to perhaps perform several functions. First, this circuit may be designed to extract the maximum power available from each and every panel. Second, it may be configured to transform to an impedance which naturally combines with the other panels in a series string. This circuit may also be configured for parallel connected panels or even for single cells or strings within a panel. Embodiments may be configured so that the output may be a higher voltage output (for example, 400V). Additionally, configurations may allow for an easy to administer overvoltage or other protection, perhaps even with or without feedback elements that control the system to avoid an overvoltage or other condition.

The addition of individual MPP circuitry to a panel may even be configured so as to provide an inexpensive addition and, in some embodiments, may replace the need for the same function in the power converter. The circuitry may be added to the PV panels and may not need to be repeated in a grid-tied inverter. This may thus result in the same total circuitry with significant

advantage. In embodiments there may actually be several small MPP converters replacing one large one. This may result in even greater energy harvesting.

BRIEF DESCRIPTION OF THE DRAWINGS

Figure 1 shows a schematic of a conversion system according to one embodiment of the invention for a single representative solar source.

Figure 2 shows a schematic of a sea of interconnected strings of panels according to one embodiment of the invention.

Figure 3 shows a plot of a current and voltage relationship for a representative solar panel.

Figure 4 shows a plot of a power and voltage relationship for a similar panel.

Figures 5A and 5B show two types of dual mode power conversion circuits such as might be used in embodiments of the invention.

Figure 6 shows an embodiment of the invention with series connected panels and a single grid-tied inverter configuration.

Figures 7A and 7B show plots of solar panel output operational conditions for differing temperatures and output paradigms.

Figure 8 shows a plot of losses by topology and range for traditional approach as compared to the present invention.

Figure 9 shows a plot of combined protective and coordinated process conditions according to one operational embodiment of the invention..

Figure 10 shows a prior art system with a grid-tied inverter.

MODE(S) FOR CARRYING OUT THE INVENTION

As mentioned above, the invention discloses a variety of aspects that may be considered independently or in combination with others. Initial understanding begins with the fact that one embodiment of a power conditioner according to the present invention may combine any of the following concepts and circuits including: an alternative process converter, a dual mode

photovoltaic converter, a very high efficiency photovoltaic converter, a multimodal photovoltaic converter, the inclusion of maximum power point tracking (MPP or MPPT) aspects into the foregoing, and even embodiments that include operational boundaries such as for output voltage, output current, and perhaps even, output power. Each of these should be understood from a
5 general sense as well as through embodiments that display initial applications for implementation. Some initial benefits of each of these aspects are discussed individually and in combination in the following discussion as well as how each represents a class of topologies, rather than just those initially disclosed.

Figure 1 shows one embodiment of a solar energy power system illustrating the basic solar
10 conversion principles of the present invention. As shown, it involves a solar energy source (1) feeding into a photovoltaic DC-DC power converter (4) providing a converted output to a photovoltaic DC-AC inverter (5) that may ultimately interface with a grid (10). As may be appreciated, the solar energy source (1) may be a solar cell, a solar panel, or perhaps even a string of panels. Regardless, the solar energy source (1) may provide a DC photovoltaic output
15 (2). This DC photovoltaic output (2) may serve as a DC input (3) to the DC-DC power converter (4).

The DC-DC power converter (4) may have its operation controlled by a capability generally indicated as converter functionality control circuitry (8). As one of ordinary skill in the art should well appreciate, this converter functionality control circuitry (8) may be embodied as true
20 circuitry hardware or it may be firmware or even software to accomplish the desired control and would still fall within the meaning of a converter functionality control circuitry (8). Similarly, the DC-DC power converter (4) should be considered to represent photovoltaic DC-DC power conversion circuitry. In this regard it is likely that hardware circuitry is necessary, however combinations of hardware, firmware, and software should still be understood as encompassed by
25 the circuitry term.

As illustrated in figure 1, the various elements may be connected to each other. Direct connection is but one manner in which the various elements may be responsive to each other, that is, some effect in one may directly or indirectly cause an effect or change in another. The DC-DC power converter (4) may act to convert its input and thus provide a converted DC
30 photovoltaic output (6) which may serve as an input to the DC-AC inverter (5) which may be of

a variety of designs. This DC-AC inverter (5) may or may not be included in embodiments of the solar energy power system. If included, it may serve to accomplish the step of inverting the DC power into an inverted AC (7) such as a photovoltaic AC power output (7) that can be used by, for example, a power grid (10) through some connection termed an AC power grid interface (9). In this manner the system may create a DC photovoltaic output (6) which may be established as an input to some type of DC-AC inverter (5). This step of inverting an input should be understood as encompassing and creation of any substantially alternating signal from any substantially unidirectional current flow signal even if that signal is not itself perfectly, or even substantially, steady.

As show in figures 2 and 6, individual solar energy sources (1) – whether at a cell, panel, or module level -- may be combined to create a series of electrically connected sources. Such combinations may be responsive through either series or parallel connections. As shown in figures 2 and 6, the connected plurality may form a string of electrically connected items. Perhaps such as a string of electrically connected solar panels (11). As shown in figure 2, each of these strings may each themselves be a component to a much larger combination perhaps forming a photovoltaic array (12) or even a sea of combined solar energy sources. By either physical or electrical layout, certain of these cells, panels, or strings may be adjacent in that they may be exposed to somewhat similar electrical, mechanical, environmental, solar exposure (or insulative) conditions. In situations where large arrays are provided, it may be desirable to include a high voltage DC-AC solar power inverter perhaps with a three phase high voltage inverted AC photovoltaic output as schematically illustrated in figure 2.

As illustrated for an electrically serial combination, output may be combined so that their voltages may add whereas their currents may be identical. Conversely, electrically parallel combinations may exist. Figures 2 and 6 illustrate embodiments that are connected to accomplish serially combining or serially connecting items such as the converted DC photovoltaic outputs (6) of each to create a converted DC photovoltaic input to an DC-AC inverter (5). As shown, these serial connections may be of the converted DC photovoltaic outputs (6) which may then create a converted DC photovoltaic output (13) which may serve as a converted DC photovoltaic input (14) to some type of photovoltaic DC-AC inverter (5) or other load. Again, each solar power source (1) may be at the cell, panel, string, or even array level.

As would be well understood, parallel connections and the step of parallel connecting converters or their outputs could be accomplished as well.

As mentioned above, circuitry and systems can be configured to extract as much power as possible from the solar power sources (1). Electrically, this is accomplished by achieving
5 operation to operate at one or more solar cell, panel, or string's maximum power point (MPP) by MPP circuitry or maximum power point tracking (MPPT). Thus, in embodiments, a solar power system according to the invention may include: an MPPT control circuit with a power conversion circuit. It may even include range limiting circuitry as discussed later.

The aspect of maximum power point is illustrated by reference to figures 3 and 4 and the
10 Maximum Power Point Tracking (MPPT) circuit may be configured to find the optimum point for extracting power from a given panel or other solar energy source (1). As background, it should be understood that a panel such as may be measured in a laboratory may exhibit the voltage and current relationships indicated in Figure 3. Current in Amps is on the vertical axis. Voltage in volts is on the horizontal axis. If one multiplies the voltage times the current to derive
15 power this is shown in Figure 4. Power is now on the vertical axis. The goal of an embodiment of an MPPT circuit as used here may be to apply an appropriate load resistance or more precisely impedance to a panel such that the panel may operate to provide its peak power. One can see graphically that the maximum power point on this panel under the measurement conditions occurs when the panel produces approximately 15 volts and 8 amperes. This may be determined
20 by a maximum photovoltaic power point converter functionality control circuitry (15) which may even be part or all of the modality of operation of the converter functionality control circuitry (8). In this fashion, the converter or the step of converting may provide a maximum photovoltaic power point modality of photovoltaic DC-DC power conversion or the step of maximum photovoltaic power point converting. As mentioned below, this may be accomplished by
25 switching and perhaps also by duty cycle switching and as such the system may accomplish maximum photovoltaic power point duty cycle switching or the step of maximum photovoltaic voltage determinatively duty cycle switching.

As one skilled in the art would appreciate, there are numerous circuit configurations that may be employed to derive MPP information. Some may be based on observing short circuit current or
30 open circuit voltage. Another class of solutions may be referred to as a Perturb and Observe

(P&O) circuit. The P&O methods may be used in conjunction with a technique referred to as a “hill climb” to derive the MPP. As explained below, this MPP can be determined individually for each source, for adjacent sources, or for entire strings to achieve best operation. Thus a combined system embodiment may utilize individually panel (understood to include any source level) dedicated maximum photovoltaic power point converter functionality control circuitries (16).

Regardless of whether individually configured or not, in one P&O method, an analog circuit could be configured to take advantage of existing ripple voltage on the panel. Using simple analog circuitry it may be possible to derive panel voltage and its first derivative (V'), as well as panel power and its first derivative (P'). Using the two derivatives and simple logic it may be possible to adjust the load on the panel as follows:

V' Positive	P' Positive	Raise MPP
V' Positive	P' Negative	Lower MPP
V' Negative	P' Positive	Lower MPP
V' Negative	P' Negative	Raise MPP

Table 1

There may be numerous other circuit configurations for finding derivatives and logic for the output, of course. In general, a power conditioner (17) may include power calculation circuitry (firmware, or software)(21) which may even be photovoltaic multiplicative resultant circuitry (22). These circuitries may act to effect a result or respond to an item which is analogous to (even if not the precise mathematical resultant of a $V \cdot I$ multiplication function) a power indication. This may of course be a $V \cdot I$ type of calculation of some power parameters and the system may react to either raise or lower itself in some way to ultimately move closer to and eventually achieve operation at an MPP level. By provided a capability and achieving the step of calculating a photovoltaic multiplicative power parameter, the system can respond to that parameter for the desired result.

In embodiments where there is a series string of power conditioners (17) or the like, the current through each PC output may be the same but the output voltage of each PC may be proportional to the amount of power its panel makes. Consider the following examples to further disclose the functioning of such embodiments. Examine the circuit of Figure 6 and compare it to panels simply connected in series (keep in mind that the simple series connection may have a reverse diode across it). First, assume there are four panels in series each producing 100 volts and 1 amp feeding an inverter with its input set to 400 volts. This gives 400 watts output using either approach. Now consider the result of one panel making 100 volts and 0.8 amps (simulating partial shading – less light simply means less current). For the series connection the 0.8 amps flows through each panel making the total power $400 \times 0.8 = 320$ watts. Now consider the circuit of Figure 6. First, the total power would be 380 watts as each panel is making its own MPP. And of course the current from each Power Conditioner must be the same as they are after all still connected in series. But with known power from each PC the voltage may be calculated as:

$$3V + 0.8V = 400 \text{ volts, where } V \text{ is the voltage on each full power panel.}$$

Thus, it can be seen that in this embodiment, three of the panels may have 105.3 volts and one may have 84.2 volts.

Further, in Figure 6 it can be understood that in some embodiments, an additional benefit may be derived from the inclusion of individual power control. In such embodiments, a power block may be considered as a group of PV panels with power conversion and MPP per panel configurations. As such they may adapt their output as needed to always maintain maximum power from each and every power block. If adapted to be used with such a string of power blocks, the system may even operate with a varying voltage on its output.

The advantage of this type of a configuration is illustrated from a second example of MPP operation. This example is one to illustrate where one panel is shaded such that it can now only produce 0.5 amps. For the series connected string, the three panels producing 1 amp may completely reverse bias the panel making 0.5 amps causing the reverse diode to conduct. There may even be only power coming from three of the panels and this may total 300 watts. Again for

an embodiment circuit of invention, each PC may be producing MPP totaling 350 watts. The voltage calculation would this time be:

$$3V + 0.5V = 400 \text{ volts}$$

This, in this instance, the three panels may have a voltage of 114.2 volts and the remaining one
5 may have half as much, or 57.1 volts. Output voltage can be seen as proportional to PV panel output power thus yielding a better result.

These are basic examples to illustrate some advantages. In an actual PV string today there may be many PV panels in series. And usually none of them make exactly the same power. Thus, many panels may become back biased and most may even produce less than their individual
10 MPP. This can be overcome by embodiments of the present invention. In Figure 6 there is shown a power converter for taking power from this panel string and powering the grid. As discussed below, such configuration may need voltage limits and/or protection perhaps by setting operational boundaries.

A power conditioner (17) may be configured to always extract the maximum power from a PV
15 panel. According to embodiments of the invention, this may be accomplished by an impedance transformation capability provided through the power conditioner (17), the photovoltaic DC-DC power converter (4), or the converter functionality control circuitry (8). Such may act to transform the impedance of the individual or group power delivery as needed to maintain the MPP. The system may thus cause a variation in the voltage of each panel as it achieves
20 maximum output for each. Based on topology of the system, this may be accomplished perhaps with a constant or common current so the series string is at maximum power. In embodiments, the invention may be configured to increase or decrease the load impedance for one panel and may even provide a fixed voltage if desired.

As suggested above, a photovoltaic impedance transformation modality of photovoltaic DC-DC
25 power conversion can be accomplished by photovoltaic impedance transformation power conversion control circuitry. Two embodiments of switching or switchmode photovoltaic impedance transformation photovoltaic DC-DC power converters are shown in figures 5A and 5B. As may be appreciated, the switches included may be controlled by converter functionality control circuitry (8) for duty cycle switching, that is switching at periodic (even if not constant or

if having varying periods) times to accomplish a variety of goals. This switching can occur in a variety of ways. There may also be variations in the method for switching from one mode to another. For example, if a minimum pulse width is set, it may be possible to further reduce the energy or alter the impedance by going to a burst mode as discussed below. If a minimum duty cycle is set to 2%, it is possible to get 0.2% energy transfer by using occasional bursts of the 2% duty cycle with a burst duty cycle of say 10%. Much of this may be achieved by frequency altered switching or other control of differing switches. Thus embodiment may provide switch frequency alteration switching photovoltaic power conversion control circuitry. This can give the possibility of a smooth transformation from one mode to another while providing high efficiency during the transformation.

Goal in switching may include the maximum power point operation discussed above as well as a number of modalities as discussed below. Some of these modalities may even be slaved such that one takes precedence of one or another at some point in time, in some power regime, or perhaps based on some power parameter to achieve a variety of modalities of operation. Again some of these modalities are discussed later. In the context of impedance transformation, however, there may be photovoltaic impedance transformation duty cycle switching, and such may be controlled by photovoltaic impedance transformation duty cycle switch control circuitry (again understood as encompassing hardware, firmware, software, and even combinations of each).

With reference to the particular embodiments illustrated as but two examples in figures 5A and 5B, it may be understood that the photovoltaic DC-DC power converter (4) may be operated to cause the photovoltaic impedance to increase or decrease. These two alternative modes of operation may even be exclusive in that either one or the other may exist at any point in time, even if such operations change over time. As such, embodiment may include photovoltaic impedance increase photovoltaic DC-DC power conversion circuitry (19) and perhaps photovoltaic impedance decrease photovoltaic DC-DC power conversion circuitry (20). Examples of these two are illustrated in figures 5A and 5B where it can be considered that a first part of the photovoltaic DC-DC power converter (4) acts in one way (up in figure 5A and down in figure 5B) and a second part of the photovoltaic DC-DC power converter (4) acts in the other way (down in figure 5A and up in figure 5B). Thus it can be seen that modes of operation in the

photovoltaic DC-DC power converter (4) may be opposing in that one accomplishes an effect and the other accomplishes a contrary effect. Embodiments of the system may provide at least one photovoltaic impedance increase modality of photovoltaic DC-DC power conversion and at least one photovoltaic impedance decrease modality of photovoltaic DC-DC power conversion.

5 As shown for the two embodiments in figures 5A and 5B, both of these modalities may be provided in one photovoltaic DC-DC power converter (4) so that the photovoltaic DC-DC power converter (4) may achieve the steps of photovoltaic load impedance increasing and photovoltaic load impedance decreasing. Such elements may also be disjunctive so that in alternative operation one operates when the other does not and visa versa. Such may also be substantially

10 disjunctive so that for only power conversion insignificant periods where they both actually or appear to operate in similar timeframes. Thus the system may include substantially disjunctive impedance transformation photovoltaic power conversion control circuitry. Through the power conditioner (17) configuration and design the system may provide switching or other capability and, if applicable, control circuitry that may provide the desired effect.

15 Referring again to the embodiments shown in figures 5A and 5B, it can be seen that some embodiments may utilize one or more switches that may be controlled by photovoltaic switch control circuitry (23) and thus the power conditioner (17) may be of a switchmode character. In the embodiments shown, these switches are designated T1-T4 and T21-T24. In some embodiments, these switches may be semiconductor switches and this may facilitate lower losses

20 and higher efficiency. Furthermore, the switches and connections may be configured to provide one or more photovoltaic power series switch elements (24) and one or more photovoltaic power shunt switch elements (25). As may be appreciated the photovoltaic power series switch elements (24) may provide one or more locations at which the transmission of photovoltaic power may be interrupted (the act of interrupting) and the photovoltaic power shunt switch

25 elements (25) may provide one or more locations at which the transmission of photovoltaic power may be shunted (the act of shunting) to ground, another power path, or the like.

As the illustrations in figures 5A and 5B also illustrate, embodiments may include not just one switch, not just one series and shunt switch, but even pairs of series pathed and shunt pathed semiconductor (or other) switches. Thus, the interrupting and the shunting can occur at at least

30 two separate semiconductor switch locations. Obviously, these examples are configured to more

simply illustrate each of the switching, interrupting, shunting, and pairing concepts, however, it should be understood that more complex configurations are possible. As with many circuitry aspects, some designs may even be arranged to elusively achieve the same effect; these would still fall within the scope of the present invention, of course.

- 5 As may be appreciated from just the initially discussed modes of operation, namely, the modes of increasing and, perhaps alternatively, decreasing photovoltaic load impedance, systems according to embodiments of the present invention may provide a photovoltaic DC-DC power converter (4) that serves as a multimodal photovoltaic DC-DC power converter perhaps controlled by multimodal converter functionality control circuitry (26) in that it has more than
10 one mode of operation. These modes may include, but should be understood as not limited to, photovoltaic impedance increasing and photovoltaic impedance decreasing; several other modes are discussed below. In general, the aspect of multimodal activity encompasses at least processes where only one mode of conversion occurs at any one time. Impedance, or any other factor, is not increased and then decreased in the same process regardless of the desired outcome.
15 Only a single method of conversion is used, perhaps with a singular integration.

Thus, a power conditioner (17) may provide at least first modality and second modality photovoltaic DC-DC power conversion circuitry, DC-DC power converter, or DC-DC power conversion. Further, as can be understood in an MPP context of increasing or decreasing photovoltaic load impedance, the multimodal photovoltaic DC-DC power converter or perhaps
20 multimodal converter functionality control circuitry (26) may respond to one or more photovoltaic power condition, perhaps such as the $V \cdot I$ multiplicative factor, a voltage level, a current level, or some other perhaps signal indicated or calculated set point. In so offering the capability of more than one mode of conversion operation (even though not necessarily utilized at the same time), or in offering the capability of changing modes of operation, the system may
25 accomplish the step of multimodally converting a DC photovoltaic input into a converted photovoltaic DC output. Similarly, by offering the capability of controlling to effect more than one mode of conversion operation (again, even though not necessarily utilized at the same time), or in controlling to change modes of operation, the system may accomplish the step of multimodally controlling operation of a photovoltaic DC-DC power converter (4).

Embodiments may include even two or more modes of operation and thus may be considered a dual mode power conversion circuit or dual mode converter. The dual mode nature of this circuit may embody a significant benefit and another distinction may be that most DC/DC converters are often intended to take an unregulated source and produce a regulated output. In this invention, the input to the DC/DC converter is regulated to be at the PV panel MPP. The power taken from the PV panel may be transformed to whatever impedance is needed in the output connection to be able to satisfy the input MPP requirement even without regarding to output.

In the case of the impedance being changed such that the output voltage is lower than the input voltage, T3 can be forced to be in a continuous conduction state and T4 in a non-conducting state with T1 and T2 operated in a switchmode duty cycle state. This duty cycle of operation can be synchronous in that the transistor T2 may be switched synchronously with T1 (with inverted duty cycle). T2 may be a low $R_{DS(ON)}$ FET having much lower losses than a diode in this location. By such synchronous operation this circuit can have extremely high efficiency as mentioned more generally below. A concern can exist for this circuit in that current passes through an additional transistor, T3. But this transistor can have low loss as it is not switching. Similar operation can be achieved for the embodiment shown in figures 5B, of course.

A second mode for the circuit shown in Figure 5A can involve the case where the impedance needs to be altered such that the output voltage is higher than the input voltage. Now, T1 may be switched to a continuous conduction state. T2 may be non-conducting. Now transistors T3 and T4 are controlled in a switchmode manner. One may see the same ideas apply. First, all switches are transistors having low on-state loss. Secondly the boost section may operated with high efficiency with the only additional loss due to the dual mode capability in the on-state loss of transistor T1. This circuit can also make use of a common inductor L1 saving size, space and cost. Again, as a person of ordinary skill in the art would understand, similar operation can be achieved for the embodiment shown in figures 5B.

Interesting, and as discussed in more detail below, while in prior art efficiency was sometimes shown to be less than 91%, this circuit accomplishes the needed function while operating even above 98% and at levels as high as 99.2% efficiency. When connected to a solar panel or an array of solar panels this efficiency difference can be of paramount importance. Of course, isolated and non isolated impedance transformations by analogy to DC/DC converters of many

sorts may be used with other disclosed aspects of this invention, and almost any DC/DC converter topology may be used for this function and is hereby included in this invention

As mentioned briefly above, there may be alternating modes of operation and the system may vacillate (and achieve vacillatory conversion modes) between differing modes based upon a parameter or other indication or calculation. In embodiments where one mode or another is substantially exclusively activated, a power conditioner (17) or other system element may provide an alternative mode photovoltaic power converter functionality control (27). It may exclusively switch between modes at at least some times. These modes may be modes of conversion and so the system may provide a vacillatory method of creating solar power. As indicated above, these modes may be opposing or opposing modalities, substantially disjunctive, or otherwise.

In exclusively controlling a particular operational mode, systems may disable an unused mode. This can be important, for example, to achieve the higher levels of efficiency mentioned below or the like. Referring to the examples illustrated in the context of photovoltaic impedance transformation in figures 5A and 5B, it can be understood how embodiments of the invention can act to disable a mode of photovoltaic DC-DC power conversion or operation at at least some times and thus the system can provide disable alternative mode photovoltaic power conversion control circuitry (28). As discussed with respect to switch operation in the context of MPP, above, one or more switch(es), perhaps such as the photovoltaic power shunt switch element (25), one of the photovoltaic power series switch elements (24), or otherwise may be disabled during an operation. This may provide a capability to compare modes of operation or, perhaps most importantly, may permit highly efficient operation previously not believed achievable. Thus embodiments may provide photovoltaic disable mode converter functionality control circuitry.

An aspect of operational capability that afford advantage is the capability of embodiments of the invention to accommodate differing operating conditions for various solar sources or panels. As shown in figures 7A and 7B, voltages of operation for maximum power point can vary based upon whether the solar source is experiencing hot or cold temperature conditions. By permitting MPP to be accommodated through impedance transformation apart from any voltage constraint, embodiments according to the invention may provide expansive

panel capability. This may even be such that the converter is effectively a full photovoltaic temperature voltage operating range photovoltaic DC-DC power converter whereby it can operate at MPP voltages as high as that for the MPP in a cold temperature of operation as well as the MPP voltages as low as that for the MPP in a hot temperature of operation. Thus, as can be understood from figures 7A and 7B, systems can provide solar energy source open circuit cold voltage determinative switching photovoltaic power conversion control circuitry and solar energy source maximum power point hot voltage determinative switching photovoltaic power conversion control circuitry. It can even achieve full photovoltaic temperature voltage operating range converting. This may be accomplished through proper operation of the switch duty cycles and systems may thus provide solar energy source open circuit cold voltage determinatively duty cycle switching and solar energy source maximum power point hot voltage determinatively duty cycle switching.

Further, viewing hot and cold voltages as perhaps the extreme conditions, similarly it can be understood how the system may accommodate varying amount of insolation and thus there may be provided insolation variable adaptive photovoltaic converter control circuitry that can extract MPP whether a panel is partially shaded, even if relative to an adjacent panel. Systems and their duty cycle switching may be adaptable to the amount of insolation and so the step of converting may be accomplished as insolation variably adaptively converting. This can be significant in newer technology panels such as cadmium-telluride solar panels and especially when combining outputs from a string of cadmium-telluride solar panels which can have broader operating voltages.

As mentioned earlier, an aspect of significant important is the level of efficiency with which the converter operates. This is defined as the power going out after conversion over the power coming in before conversion. A portion of the efficiency gain is achieved by using switchmode operation of transistor switches, however, the topology is far more significant in this regard. Specifically, by the operation of switches and the like as discussed above, the system can go far beyond the levels of efficiency previously thought possible. It can even provide a substantially power isomorphic photovoltaic DC-DC power conversion that does not substantially change the form of power into heat rather than electrical energy by providing as high as about 99.2%

efficiency. This can be provided by utilizing substantially power isomorphic photovoltaic converter functionality and a substantially power isomorphic photovoltaic impedance converter and by controlling operation of the switches so that there is limited loss as discussed above. Such operation can be at levels of from 97, 97.5, 98, 98.5 up to either 99.2 or essentially the wire
5 transmission loss efficiency (which can be considered the highest possible).

One aspect that contributes to such efficiency is the fact that minimal amounts of energy are stored during the conversion process. As shown in figures 5A and 5B, such embodiments may include a parallel capacitance and a series inductance. These may be used to store energy at at
10 least some times in the operation of converting. It may even be considered that full energy conversion is not accomplished, only the amount of conversion necessary to achieve the desired result. Thus embodiments may serve as a low energy storage photovoltaic DC-DC power converter and even a partial energy storage photovoltaic DC-DC power converter. In situations where the voltage in and the voltage out are nearly identical and thus the converter achieves
15 unity conversion, there is even substantially no change in energy storage and so the system may have embodiments that are considered a substantially constant energy storage photovoltaic DC-DC power converter. Cycle-by-cycle energy storage may also be proportional (whether linearly, continuously, or not) to a voltage difference in conversion. Energy stored, perhaps in the inductor may also be proportional to a duty cycle for one or more switches. Part of the
20 efficiency can also be considered as existing as a result of the fact that during operation some switches may remain static and either open or closed. Thus embodiment may provide static switch alternative mode photovoltaic power conversion control circuitry and similarly, static switch converting. It may also provide fractional switch element control circuitry.

25 Switches can be controlled in a variable duty cycle mode of operation such that frequency of switching alters to achieve the desired facet. The converter functionality control circuitry (8) may thus serve as photovoltaic duty cycle switch control circuitry. The duty cycle operations and switching can achieve a variety of results, from serving as photovoltaic impedance transformation duty cycle switching, to other operations. Some of these may even be due to
30 considerations apart from the conversion aspect that is the primary purpose of the photovoltaic DC-DC power converter (4).

While in theory or in normal operation the described circuits work fine, there can be additional requirements for a system to have practical function. For example the dual mode circuit as described could go to infinite output voltage if there were no load present. This situation can actually occur frequently. Consider the situation in the morning when the sun first strikes a PV panel string with power conditioners (17). There may be no grid connection at this point and the inverter section may not draw any power. In this case the power conditioner (17) might in practical terms increase its output voltage until the inverter would break. The inverter could have overvoltage protection on its input adding additional power conversion components or, the power conditioner may simply have its own internal output voltage limit. For example if each power conditioner (17) could only produce 100 volts maximum and there was a string of ten PCs in series the maximum output voltage would be 1000 volts. This output voltage limit could make the grid-tied inverter less complex or costly and is illustrated in figure 7A as a preset overvoltage limit. Thus embodiments can present maximum voltage determinative switching photovoltaic power conversion control circuitry and maximum photovoltaic voltage determinative duty cycle switching (as shown in figure 7A as the preset overvoltage limit). This can be inverter specific.

A maximum output current limit may also be useful and is illustrated in figure 7A as the preset overcurrent limit. This is less straightforward and is related to the nature of a PV panel. If a PV panel is subjected to insufficient light its output voltage may drop but its output current may not be capable of increasing. There can be an advantage to only allowing a small margin of additional current. For example, this same 100 watt panel which has a 100 volt maximum voltage limit could also have a 2 amp current limit without limiting its intended use. This may also greatly simplify the following grid tied inverter stage. Consider an inverter in a large installation which may need a crowbar shunt front end for protection. If the output of a PC could go to 100 amps the crowbar would have to handle impractical currents. This situation would not exist in a non PC environment as a simple PV panel string could be easily collapsed with a crowbar circuit. This current limit circuit may only be needed with a PC and it may be easily achieved by duty cycle or more precisely switch operation control. Once a current limit is included another BOS savings may be realized. Now the wire size for interconnect of the series string of PCs may be limited to only carry that maximum current limit. Here embodiments can

present maximum photovoltaic inverter current converter functionality control circuitry, inverter maximum current determinative switching, photovoltaic inverter maximum current determinative duty cycle switch control circuitry, and photovoltaic inverter maximum current determinatively duty cycle switching or the like.

5 One more system problem may also be addressed. In solar installations it may occur on rare conditions that a panel or field of panels may be subjected to more than full sun. This may happen when a refractory situation exists with clouds or other reflective surfaces. It may be that a PV source may generate as much as 1.5 times the rated power for a few minutes. The grid tied inverter section must either be able to operate at this higher power (adding cost) or must
10 somehow avoid this power. A power limit in the PC may be the most effective way to solve this problem. In general, protection of some other element can be achieved by the converter. This may even be a posterior or downstream element such as the inverter and so the converter functionality control circuitry (8) may serve to achieve photovoltaic inverter protection modality of photovoltaic DC-DC power conversion and may be considered as photovoltaic inverter
15 protection converter functionality control circuitry. Beyond protection, desirable inverter or other operating conditions can be achieved by the converter, thus embodiments may include photovoltaic inverter operating condition converter functionality control circuitry. These may be simply coordinated in some manner such as by a photovoltaic inverter or posterior element coordinated modality or photovoltaic inverter or posterior element coordinated converter
20 functionality control circuitry. There may also be embodiments that have small output voltage (even within an allowed output voltage range). This may accommodate an inverter with a small energy storage capacitor. The output voltage may even be coordinated with an inverter's energy storage capability.

As illustrated in figures 7A, 7B, and 9, boundary conditions may be set such as the overcurrent
25 limit and the overvoltage limit. Thus the converter and/or its control circuitry may serve as photovoltaic boundary condition converter functionality control circuitry, may achieve a photovoltaic boundary condition modality of photovoltaic DC-DC power conversion, and may accomplish the step of controlling a photovoltaic boundary condition of the photovoltaic DC-DC converter.

30

Yet another mode of operation may be to make a value proportional (in its broadest sense) to some other aspect. For example, there can be advantages to making voltage proportional to current such as to provide soft start capability or the like. Thus embodiments may be configured for controlling a maximum photovoltaic output voltage proportional to a photovoltaic output current at at least some times during the process of converting a DC input to a DC output. In general, this may provide soft transition photovoltaic power conversion control circuitry. And the system may include duty cycle control or switch operation that can be conducted so as to achieve one or more proportionalities between maximum voltage output and current output or the like. Further, not only can any of the above be combined with any other of the above, but each may be provided in a slaved manner such that consideration of one modality is secondary to that of another modality.

A variety of results have been described above. These may be achieved by simply altering the duty cycle of or switches affected by the switches. These can be accomplished based on thresholds and so provide threshold triggered alternative mode, threshold determinative, threshold activation, or threshold deactivation switching photovoltaic power conversion control circuitry. A burst mode of operation perhaps such as when nearing a mode alteration level of operation may be provided and at such times frequency can be halved, opposing modes can be both alternated, and level can be reduced as a change become incipient. This can be transient as well. In these manners burst mode switching photovoltaic power conversion control circuitry and burst mode switching can be accomplished, as well as transient opposition mode photovoltaic duty cycle switch control circuitry and the step of transiently establishing opposing switching modes.

As mentioned above, the PCs and photovoltaic DC-DC power converters (4) may handle individual panels. They may be attached to a panel, to a frame, or separate. Embodiments may have converters physically integral to such panels in the sense that they are provided as one attached unit for ultimate installation. This can be desirable such as when there are independent operating conditions for separate solar sources, and even adjacent solar sources to accommodate variations in insolation, condition, or otherwise. Each panel or the like may achieve its own MPP, and may coordinate protection with all others in a string or the like.

Figure 10 illustrate one type of photovoltaic DC-AC inverter (5) that may be used. Naturally as may be appreciated from the earlier comments enhanced inverters that need not control MPP and that are alternatively protected by the converter may be used. Inverters may even have a separate control input so that the input voltage is at a most optimal level, perhaps such as a singular sweet spot or the like as illustrated by the bold vertical line in figure 9. Although other inventions by the present assignee address such aspects, they may be considered incidental to the converter invention described here. Thus a more traditional inverter is shown in figure 10. This may provide a connection to some type of AC power grid interface (9).

As the invention becomes more accepted it may be advantageous to permit comparison with more traditional technologies. This can be achieved by simple switch operation whereby traditional modes of operation can be duplicated or perhaps adequately mimicked. Thus embodiments may include a solar power conversion comparator (29) that can compare first and second modes of operation, perhaps the improved mode of an embodiment of the present invention and a traditional, less efficient mode. This comparator may involve indicating some solar energy parameter for each. In this regard, the shunt switch operation disable element may be helpful. From this a variety of difference can be indicated, perhaps: solar power output, solar power efficiency differences, solar power cost differences, solar power insolation utilization comparisons, and the like.

By the above combinations of these concepts and circuitry, at least some of the following benefits may be realized:

Every PV panel may produce its individual maximum power. Many estimates today indicate this may increase the power generated in a PV installation by 20% or even more.

The grid tied inverter may be greatly simplified and operate more efficiently.

The Balance of System costs for a PV installation may be reduced.

The circuitry, concepts and methods of various embodiments of the invention may be broadly applied. It may be that one or more PCs per panel may be used. For example there may be non-uniformities on a single panel or other reasons for harvesting power from even portions of a panel. It may be for example that small power converters may be used on panel segments

optimizing the power which may be extracted from a panel. This invention is explicitly stated to include sub panel applications.

This invention may be optimally applied to strings of panels. It may be more economical for example to simply use a PC for each string of panels in a larger installation. This could be particularly beneficial in parallel connected strings if one string was not able to produce much power into the voltage the remainder of the strings is producing. In this case one PC per string may increase the power harvested from a large installation.

This invention is assumed to include many physical installation options. For example there may be a hard physical connection between the PC and a panel. There may be an interconnection box for strings in which a PC per string may be installed. A given panel may have one or more PCs incorporated into the panel. A PC may also be a stand-alone physical entity.

All of the foregoing is discussed in the context of a solar power application. As may be appreciated, some if not all aspects may be applied in other contexts as well. Thus, this disclosure should be understood as supporting other applications of the converter regardless how applied and even whether applied as a power converter, impedance converter, voltage converter, or otherwise.

As can be easily understood from the foregoing, the basic concepts of the present invention may be embodied in a variety of ways. It involves both solar power generation techniques as well as devices to accomplish the appropriate power generation. In this application, the power generation techniques are disclosed as part of the results shown to be achieved by the various circuits and devices described and as steps which are inherent to utilization. They are simply the natural result of utilizing the devices and circuits as intended and described. In addition, while some circuits are disclosed, it should be understood that these not only accomplish certain methods but also can be varied in a number of ways. Importantly, as to all of the foregoing, all of these facets should be understood to be encompassed by this disclosure.

The discussion included in this application is intended to serve as a basic description. The reader should be aware that the specific discussion may not explicitly describe all embodiments possible; many alternatives are implicit. It also may not fully explain the generic nature of the invention and may not explicitly show how each feature or element can actually be

representative of a broader function or of a great variety of alternative or equivalent elements. Again, these are implicitly included in this disclosure. Where the invention is described in device-oriented terminology, each element of the device implicitly performs a function. Apparatus claims may not only be included for the devices and circuits described, but also
5 method or process claims may be included to address the functions the invention and each element performs. Neither the description nor the terminology is intended to limit the scope of the claims that will be included in any subsequent patent application.

It should also be understood that a variety of changes may be made without departing from the essence of the invention. Such changes are also implicitly included in the description. They still
10 fall within the scope of this invention. A broad disclosure encompassing both the explicit embodiment(s) shown, the great variety of implicit alternative embodiments, and the broad methods or processes and the like are encompassed by this disclosure and may be relied upon when drafting the claims for any subsequent patent application. It should be understood that such language changes and broader or more detailed claiming may be accomplished at a later
15 date. With this understanding, the reader should be aware that this disclosure is to be understood to support any subsequently filed patent application that may seek examination of as broad a base of claims as deemed within the applicant's right and may be designed to yield a patent covering numerous aspects of the invention both independently and as an overall system.

Further, each of the various elements of the invention and claims may also be achieved in a
20 variety of manners. Additionally, when used or implied, an element is to be understood as encompassing individual as well as plural structures that may or may not be physically connected. This disclosure should be understood to encompass each such variation, be it a variation of an embodiment of any apparatus embodiment, a method or process embodiment, or even merely a variation of any element of these. Particularly, it should be understood that as the
25 disclosure relates to elements of the invention, the words for each element may be expressed by equivalent apparatus terms or method terms -- even if only the function or result is the same. Such equivalent, broader, or even more generic terms should be considered to be encompassed in the description of each element or action. Such terms can be substituted where desired to make explicit the implicitly broad coverage to which this invention is entitled. As but one example, it
30 should be understood that all actions may be expressed as a means for taking that action or as an

element which causes that action. Similarly, each physical element disclosed should be understood to encompass a disclosure of the action which that physical element facilitates. Regarding this last aspect, as but one example, the disclosure of a “converter” should be understood to encompass disclosure of the act of “converting” -- whether explicitly discussed or not -- and, conversely, were there effectively disclosure of the act of “converting”, such a disclosure should be understood to encompass disclosure of a “converter” and even a “means for converting” Such changes and alternative terms are to be understood to be explicitly included in the description.

Any patents, publications, or other references mentioned in this application for patent or its list of references are hereby incorporated by reference. Any priority case(s) claimed at any time by this or any subsequent application are hereby appended and hereby incorporated by reference. In addition, as to each term used it should be understood that unless its utilization in this application is inconsistent with a broadly supporting interpretation, common dictionary definitions should be understood as incorporated for each term and all definitions, alternative terms, and synonyms such as contained in the Random House Webster’s Unabridged Dictionary, second edition are hereby incorporated by reference. Finally, all references listed in the List of References other information statement filed with or included in the application are hereby appended and hereby incorporated by reference, however, as to each of the above, to the extent that such information or statements incorporated by reference might be considered inconsistent with the patenting of this/these invention(s) such statements are expressly not to be considered as made by the applicant(s).

LIST OF REFERENCES

I. U.S. PATENT DOCUMENTS

DOCUMENT NO. & KIND CODE (if known)	PUB’N DATE mm-dd-yyyy	PATENTEE OR APPLICANT NAME
4127797	11-28-1978	Perper
4375662	03-01-1983	Baker
4390940	06-28-1983	Corbefein et al.
4404472	09-13-1983	Steigerwald
4445049	04-24-1984	Steigerwald
4626983	12-02-1986	Harada et al.

DOCUMENT NO. & KIND CODE (if known)	PUB'N DATE mm-dd-yyyy	PATENTEE OR APPLICANT NAME
4725740	02-16-1988	Nakata
5027051	06-25-1991	Lafferty
5747967	05-05-1998	Muljadi et al.
6081104	06-27-2000	Kern
6281485	08-28-2001	Siri
6282104	08-28-2001	Kern
6351400	02-26-2002	Lumsden
6369462	04-09-2002	Siri
6448489	09-10-2002	Kimura et al.
6791024	09-14-2004	Toyomura
6889122	05-03-2005	Perez
6914418	07-05-2005	Sung
7091707	08-15-2006	Cutler
7158395	01-02-2007	Deng et al.
7227278	06-05-2007	Realmuto et al.
7274975	09-25-2007	Miller
2005002214A1	01/06/2005	Deng et al.
2005068012A1	03/31/2005	Cutler
2005162018A1	07/28/2005	Realmuto et al.
2006103360A9	05/18/2006	Cutler
2006174939A1	08/10/2006	Matan
2007035975A1	02/15/2007	Dickerson et al.
20010007522 A1	07-12-2001	Nakagawa et al.
20030111103 A1	06-19-2003	Bower et al.
20070069520 A1	03-29-2007	Schettters
20070133241 A1	06-14-2007	Mumtaz et al.
199105027051	02/25/1991	Lafferty
200106281485	08/28/2001	Siri
200206369462	04/09/2002	Siri
200707158395	01/02/2007	Deng et al
200707227278	06/05/2007	Realmuto et al.

II. FOREIGN PATENT DOCUMENTS

Foreign Patent Document	PUB'N DATE	PATENTEE OR APPLICANT NAME
WO 2004100344 A2	11/18/2004	Ballard Power Systems Corporation
WO 2004100348 A1	11-18-2004	Encesys Limited
WO 2005027300 A1	03/24/2005	Solarit AB
WO 2005036725 A1	04-21-2005	Konin-Klijke Philips Electronics
WO 2006005125 A1	01/19/2006	Central Queensland University et al.
WO 20060071436 A2	07/06/2006	ISG Technologies, LLC
WO 2006013600 A2	02/09/2006	Universita Degli Studi DiRoma "La Sapienza"
WO 2006013600 A3	02/09/2006	Universita Degli Studi DiRoma "La Sapienza"
WO 2006048688 A2	05-11-2006	Encesys Limited
WO 2006048689 A2	05-11-2006	Encesys Limited
WO 2006048689 A3	05-11-2006	Encesys Limited
WO 2006137948 A2	12/28/2006	ISG Technologies, LLC
WO 2007007360 A2	01/18/2007	Universita Degli Studi Di Salerno
WO 2007080429 A2	07-19-2007	Encesys Limited
JP 198762154121A2	Kyogera Corp	
EP 0964415 A1	12/15/1999	Igarashi, Katsuhiko-TDK Corp
EP 0780750 B1	03/27/2002	Nakata, et al.
EP 1120895 A3	05/06/2004	Murata Manufacturing Co, et al.
EP 0964415 A1	12/15/1999	TDK Corp, et al.
GB 2434490 A	07/25/2007	Encesys Limited, et al.
GB 2421847 A	07/05/2006	Encesys Limited, et al.
GB 2419968 A	05/10/2006	Encesys Limited, et al.
GB 2415841 A	01/04/2006	Encesys Limited, et al.
GB 612859	11/18/1948	Statndard Telephones and Cables Limited
DE 310,362	09/26/1929	Rheinishce Metallwaaren-Und Maschinenfabrik Sommerda Aktien-Gesellschaft

JP 2002231578 A	08/16/2002	Meidensha Corp
JP 2000020150 A	01/21/2000	Toshiba Fa Syst Eng Corp, et al.
JP 08066050 A	03/08/1996	Hitachi Ltd
JP 08033347 A	02/02/1996	Hitachi Ltd, et al.
JP 07222436 A	08/18/1995	Meidensha Corp
JP 05003678 A	01/08/1993	Toshiba F EE Syst KK, et al.

III. NON-PATENT LITERATURE DOCUMENTS

Northern Arizona Wind & Sun; solar-electric.com; All about MPPT Solar Charge Controllers; 11/05/2007
SatCon Power Systems, PowerGate Photovoltaic 50kW Power Converter System, June 2004
Bower, et al. Innovative PV Micro-Inverter Topology Eliminates Electrolytic Capacitors for Longer Lifetime, 1-4244-0016-3/06 IEEE p. 2038
Gene Z. Guo, Design of a 400W, 1Φ. Buck-Boost Inverter for PV Applications. 32. nd. Annual Canadian Solar Energy Conference June 10, 2007
Hua, C. et al., Control of DC/DC converters for solar energy system with maximum power tracking, Department of Electrical Engineering; National Yumin University of Science & Technology, Taiwan, Volume 2, Issue , 9-14 Nov 1997 Page(s):827 - 832
Kang, F. et al., Photovoltaic power interface circuit incorporated with a buck-boost converter and a full-bridge inverter; doi:10.1016/j.apenergy.2004.10.009
Kretschmar K., et al. An AC converter with a small DC link capacitor for a 15kW permanent magnet synchronous integral motor, Power Electronics and Variable Speed Drives, 1998. Seventh International Conference on (Conf. Publ. No. 456) Volume , Issue , 21-23 Sep 1998 Page(s):622 - 625
Lim, Y.H. et al., Simple maximum power point tracker for photovoltaic arrays, Electronics Letters 05/25/2000 Vol. 36, No. 11
Matsuo, H. et al., Novel solar cell power supply system using the multiple-input DC-DC converter, Telecommunications Energy Conference, 1998. INTELEC. Twentieth International, Volume , Issue , 1998 Page(s):797 – 8022
Román, E. et al. Intelligent PV Module for Grid-Connected PV Systems, IEEE Transactions of Power Electronics, Vol. 53. No. 4 August 2006
Takahashi, I. et al. Development of a long-life three-phase flywheel UPS using an electrolytic capacitorless converter/inverter, 1999 Scripta Technica, Electr. Eng. Jpn, 127(3): 25-32
Walker, G. R. et al, Cascaded DC-DC Converter Connection of Photovoltaic Modules, IEEE Transactions of Power Electronics, Vol. 19. No. 4 July 2004
Walker, G. R. et al., "PV String Per-Module Power Point Enabling Converters," School of Information Technology and Electrical Engineering, The University of Queensland, presented at the Australasian Universities Power Engineering Conference, AUPEC2003, Christchurch, September 28 – October 1, 2003.
Hashimoto, et al. A Novel High Performance Utility Interactive Photovoltaic Inverter System, Department of Electrical Engineering, Tokyo Metropolitan University, 1-1 Minami-Osawa, Hachioji, Tokyo, 192-0397, Japan, p. 2255

Shimizu, et al. Generation Control Circuit for Photovoltaic Modules, EIT Transactions on Power Electronics, Vol 16, No. 3, May 2001
United States Provisional Application filed October 15, 2007, Serial Number 60/980,157
United States Provisional Application filed October 23, 2007, Serial Number 60/982,053
United States Provisional Application filed November 15, 2007, Serial Number 60/986,979

Thus, the applicant(s) should be understood to have support to claim and make a statement of invention to at least: i) each of the power source devices as herein disclosed and described, ii) the related methods disclosed and described, iii) similar, equivalent, and even implicit variations of each of these devices and methods, iv) those alternative designs which accomplish each of the functions shown as are disclosed and described, v) those alternative designs and methods which accomplish each of the functions shown as are implicit to accomplish that which is disclosed and described, vi) each feature, component, and step shown as separate and independent inventions, vii) the applications enhanced by the various systems or components disclosed, viii) the resulting products produced by such systems or components, ix) each system, method, and element shown or described as now applied to any specific field or devices mentioned, x) methods and apparatuses substantially as described hereinbefore and with reference to any of the accompanying examples, xi) the various combinations and permutations of each of the elements disclosed, xii) each potentially dependent claim or concept as a dependency on each and every one of the independent claims or concepts presented, and xiii) all inventions described herein. In addition and as to computerized aspects and each aspect amenable to programming or other programmable electronic automation, the applicant(s) should be understood to have support to claim and make a statement of invention to at least: xiv) processes performed with the aid of or on a computer as described throughout the above discussion, xv) a programmable apparatus as described throughout the above discussion, xvi) a computer readable memory encoded with data to direct a computer comprising means or elements which function as described throughout the above discussion, xvii) a computer configured as herein disclosed and described, xviii) individual or combined subroutines and programs as herein disclosed and described, xix) the related methods disclosed and described, xx) similar, equivalent, and even implicit variations of each of these systems and methods, xxi) those alternative designs which accomplish each of the functions shown as are disclosed and described, xxii) those alternative designs and methods

which accomplish each of the functions shown as are implicit to accomplish that which is disclosed and described, xxiii) each feature, component, and step shown as separate and independent inventions, and xxiv) the various combinations and permutations of each of the above.

5 With regard to claims whether now or later presented for examination, it should be understood that for practical reasons and so as to avoid great expansion of the examination burden, the applicant may at any time present only initial claims or perhaps only initial claims with only initial dependencies. The office and any third persons interested in potential scope of this or subsequent applications should understand that broader claims may be presented at a later date in
10 this case, in a case claiming the benefit of this case, or in any continuation in spite of any preliminary amendments, other amendments, claim language, or arguments presented, thus throughout the pendency of any case there is no intention to disclaim or surrender any potential subject matter. Both the examiner and any person otherwise interested in existing or later potential coverage, or considering if there has at any time been any possibility of an indication of
15 disclaimer or surrender of potential coverage, should be aware that in the absence of explicit statements, no such surrender or disclaimer is intended or should be considered as existing in this or any subsequent application. Limitations such as arose in *Hakim v. Cannon Avent Group, PLC*, 479 F.3d 1313 (Fed. Cir 2007), or the like are expressly not intended in this or any subsequent related matter.

20 In addition, support should be understood to exist to the degree required under new matter laws - - including but not limited to European Patent Convention Article 123(2) and United States Patent Law 35 USC 132 or other such laws -- to permit the addition of any of the various dependencies or other elements presented under one independent claim or concept as dependencies or elements under any other independent claim or concept. In drafting any claims
25 at any time whether in this application or in any subsequent application, it should also be understood that the applicant has intended to capture as full and broad a scope of coverage as legally available. To the extent that insubstantial substitutes are made, to the extent that the applicant did not in fact draft any claim so as to literally encompass any particular embodiment, and to the extent otherwise applicable, the applicant should not be understood to have in any way
30 intended to or actually relinquished such coverage as the applicant simply may not have been

able to anticipate all eventualities; one skilled in the art, should not be reasonably expected to have drafted a claim that would have literally encompassed such alternative embodiments.

Further, if or when used, the use of the transitional phrase “comprising” is used to maintain the “open-end” claims herein, according to traditional claim interpretation. Thus, unless the context
5 requires otherwise, it should be understood that the term “comprise” or variations such as “comprises” or “comprising”, are intended to imply the inclusion of a stated element or step or group of elements or steps but not the exclusion of any other element or step or group of elements or steps. Such terms should be interpreted in their most expansive form so as to afford the applicant the broadest coverage legally permissible.

10 Finally, any claims set forth at any time are hereby incorporated by reference as part of this description of the invention, and the applicant expressly reserves the right to use all of or a portion of such incorporated content of such claims as additional description to support any of or all of the claims or any element or component thereof, and the applicant further expressly reserves the right to move any portion of or all of the incorporated content of such claims or any
15 element or component thereof from the description into the claims or vice-versa as necessary to define the matter for which protection is sought by this application or by any subsequent continuation, division, or continuation-in-part application thereof, or to obtain any benefit of, reduction in fees pursuant to, or to comply with the patent laws, rules, or regulations of any country or treaty, and such content incorporated by reference shall survive during the entire
20 pendency of this application including any subsequent continuation, division, or continuation-in-part application thereof or any reissue or extension thereon.

CLAIMS

What is claimed is:

1. A vacillatory conversion mode solar energy power system comprising:
 - at least one solar energy source having a DC photovoltaic output;
 - 5 - a DC input that accepts power from said DC photovoltaic output;
 - first modality photovoltaic DC-DC power conversion circuitry responsive to said DC input;
 - second modality photovoltaic DC-DC power conversion circuitry responsive to said DC input;
 - 10 - alternative mode photovoltaic power converter functionality control circuitry configured to alternatively switch at at least some times between said first modality photovoltaic DC-DC power conversion circuitry and said second modality photovoltaic DC-DC power conversion circuitry;
 - a photovoltaic DC-DC power converter responsive to said alternative
 - 15 mode photovoltaic power converter functionality control circuitry;
 - a photovoltaic DC power output connected to said photovoltaic DC-DC power converter;
 - a photovoltaic DC-AC inverter responsive to said photovoltaic DC power output; and
 - 20 - a photovoltaic AC power output responsive to said photovoltaic DC-AC inverter.

2. A vacillatory conversion mode solar energy power system as described in claim 1 wherein said alternative mode photovoltaic power converter functionality control circuitry comprises disable alternative mode photovoltaic power conversion control circuitry.

5

3. A vacillatory conversion mode solar energy power system as described in claim 2 wherein said first modality photovoltaic DC-DC power conversion circuitry and said second modality photovoltaic DC-DC power conversion circuitry comprise opposite modality photovoltaic DC-DC power conversion circuitries.

10

4. A vacillatory conversion mode solar energy power system as described in claim 3 wherein said opposite modality photovoltaic DC-DC power conversion circuitries comprise at least one photovoltaic impedance increase photovoltaic DC-DC power conversion circuitry and at least one photovoltaic impedance decrease photovoltaic DC-DC power conversion circuitry.

15

5. A vacillatory conversion mode solar energy power system as described in claim 1 wherein said alternative mode photovoltaic power converter functionality control circuitry comprises substantially disjunctive impedance transformation photovoltaic power conversion control circuitry.

20

6. A vacillatory conversion mode solar energy power system as described in claim 1 wherein said alternative mode photovoltaic power converter functionality control circuitry comprises alternative mode photovoltaic power converter functionality control circuitry selected from a group consisting of:

25

- photovoltaic impedance transformation power conversion control circuitry;

- maximum photovoltaic inverter current converter functionality control circuitry;
 - maximum photovoltaic power point converter functionality control circuitry;
 - photovoltaic inverter operating condition converter functionality control circuitry;
 - both photovoltaic load impedance increase converter functionality control circuitry
5 and photovoltaic load impedance decrease converter functionality control circuitry;
 - slaved maximum photovoltaic power point converter functionality control circuitry;
 - slaved photovoltaic inverter operating condition converter functionality control
circuitry;
 - slaved photovoltaic load impedance increase converter functionality control circuitry;
 - 10 - slaved photovoltaic load impedance decrease converter functionality control circuitry;
 - both slaved photovoltaic load impedance increase converter functionality control
circuitry and slaved photovoltaic load impedance decrease converter functionality
control circuitry;
 - photovoltaic boundary condition converter functionality control circuitry;
 - 15 - posterior photovoltaic element protection converter functionality control circuitry;
 - photovoltaic inverter protection converter functionality control circuitry;
 - photovoltaic inverter coordinated converter functionality control circuitry; and
 - all permutations and combinations of each of the above.
- 20 7. A vacillatory conversion mode solar energy power system as described in claim 1 and
further comprising photovoltaic power condition responsive circuitry to which said
alternative mode photovoltaic power conversion control circuitry is responsive.
- 25 8. A vacillatory conversion mode solar energy power system as described in claim 7
wherein said alternative mode photovoltaic power converter functionality control
circuitry comprises threshold triggered alternative mode photovoltaic power conversion
control circuitry.

9. A vacillatory conversion mode solar energy power system as described in claim 1 or 6 and further comprising an AC power grid interface to which said AC power output supplies power.
- 5 10. A solar energy power converter comprising:
- at least one solar energy source having a DC photovoltaic output;
 - a DC input that accepts power from said DC photovoltaic output;
 - first modality photovoltaic DC-DC power conversion circuitry responsive to said DC input;
 - 10 - second modality photovoltaic DC-DC power conversion circuitry responsive to said DC input;
 - alternative mode photovoltaic power converter functionality control circuitry configured to alternatively switch at at least some times between said first modality photovoltaic DC-DC power conversion circuitry and said second modality photovoltaic DC-DC power conversion circuitry;
 - 15 - a photovoltaic DC-DC power converter responsive to said alternative mode photovoltaic power converter functionality control circuitry; and
 - a photovoltaic DC power output connected to said photovoltaic DC-DC power converter.
- 20
11. An efficient solar energy power system comprising:
- at least one solar energy source having a DC photovoltaic

output;

- a DC input that accepts power from said DC photovoltaic output;
 - at least one substantially power isomorphic photovoltaic DC-DC power converter responsive to said DC input;
 - 5 - substantially power isomorphic photovoltaic converter functionality control circuitry to which at least one of said substantially isomorphic DC-DC power converters are responsive;
 - a photovoltaic DC power output connected to said photovoltaic DC-DC power converter;
 - 10 - a photovoltaic DC-AC inverter responsive to said photovoltaic DC power output; and
 - a photovoltaic AC power output responsive to said photovoltaic DC-AC inverter.
- 15 12. An efficient solar energy power system as described in claim 11 wherein said substantially power isomorphic photovoltaic DC-DC power converter comprises a substantially power isomorphic photovoltaic impedance converter.
- 20 13. An efficient solar energy power system as described in claim 12 wherein said substantially power isomorphic photovoltaic impedance converter comprises a substantially power isomorphic switchmode photovoltaic impedance converter.

14. An efficient solar energy power system as described in claim 13 wherein said at least one solar power source comprises at least one plurality of solar panels, wherein said DC-DC power converter comprises a plurality of series connected DC-DC power converters, each independently responsive to one of said plurality of solar panels, and wherein said plurality of series connected DC-DC power converters each individually comprise:
- individual first modality photovoltaic DC-DC power conversion circuitry responsive to said DC input;
 - individual second modality photovoltaic DC-DC power conversion circuitry responsive to said DC input; and
 - individual alternative mode photovoltaic power converter functionality control circuitry configured to alternatively switch at at least some times between said first modality photovoltaic DC-DC power conversion circuitry and said second modality photovoltaic DC-DC power conversion circuitry.
15. An efficient solar energy power system as described in claim 14 wherein said individual alternative mode photovoltaic power converter functionality control circuitry comprises static switch alternative mode photovoltaic power conversion control circuitry.
16. An efficient solar energy power system as described in claim 11 or 14 wherein said substantially power isomorphic photovoltaic converter functionality control circuitry comprises substantially power isomorphic photovoltaic converter functionality control circuitry selected from a group consisting of:
- at least about 97% efficient photovoltaic conversion circuitry,
 - at least about 97.5% efficient photovoltaic conversion circuitry,
 - at least about 98% efficient photovoltaic conversion circuitry,

- at least about 98.5% efficient photovoltaic conversion circuitry,
 - at least about 97% up to about 99.2% efficient photovoltaic conversion circuitry,
 - at least about 97.5% up to about 99.2% efficient photovoltaic conversion circuitry,
 - at least about 98% up to about 99.2% efficient photovoltaic conversion circuitry,
 - 5 - at least about 98.5% up to about 99.2% efficient photovoltaic conversion circuitry,
 - at least about 97% up to about wire transmission loss efficient photovoltaic conversion circuitry,
 - at least about 97.5% up to about wire transmission loss efficient photovoltaic conversion circuitry,
 - 10 - at least about 98% up to about wire transmission loss efficient photovoltaic conversion circuitry, and
 - at least about 98.5% up to about wire transmission loss efficient photovoltaic conversion circuitry.
- 15 17. An efficient solar energy power system as described in claim 11, 14, or 16 and further comprising an AC power grid interface to which said AC power output supplies power.
18. An solar energy power converter comprising:
- 20 - at least one solar energy source having a DC photovoltaic output;
 - a DC input that accepts power from said DC photovoltaic output;
 - at least one substantially power isomorphic photovoltaic DC-DC power converter responsive to said DC input;
 - 25 - substantially power isomorphic photovoltaic converter functionality

control circuitry to which at least one of said substantially isomorphic DC-DC power converters are responsive; and

- a photovoltaic DC power output connected to said photovoltaic DC-DC power converter.

5

19. A multimodal solar energy power system comprising:

- at least one solar energy source having a DC photovoltaic output;
- a DC input that accepts power from said DC photovoltaic output;
- 10 - at least one multimodal photovoltaic DC-DC power converter responsive to said DC input;
- multimodal converter functionality control circuitry to which said at least one multimodal photovoltaic DC-DC power converter is responsive;
- a photovoltaic DC power output connected to said multimodal
15 photovoltaic DC-DC power converter;
- a photovoltaic DC-AC inverter responsive to said photovoltaic DC power output; and
- a photovoltaic AC power output responsive to said photovoltaic
20 DC-AC inverter.

20

20. A multimodal solar energy power system as described in claim 19 wherein said at least one multimodal photovoltaic DC-DC power converter comprises at least one low energy storage photovoltaic DC-DC power converter.
- 5 21. A multimodal solar energy power system as described in claim 20 wherein said at least one low energy storage photovoltaic DC-DC power converter comprises at least one partial energy storage photovoltaic DC-DC power converter.
22. A multimodal solar energy power system as described in claim 20
10 wherein said at least one low energy storage photovoltaic DC-DC power converter comprises at least one substantially constant energy storage photovoltaic DC-DC power converter.
23. A multimodal solar energy power system as described in claim 20
15 wherein said at least one low energy storage photovoltaic DC-DC power converter comprises at least one energy storage-duty cycle proportionality photovoltaic DC-DC power converter.
24. A multimodal solar energy power system as described in claim 20
20 wherein said at least one low energy storage photovoltaic DC-DC power converter comprises at least one switch cycle inductor energy-duty cycle proportionality photovoltaic DC-DC power converter.

25. A multimodal solar energy power system as described in claim 20 wherein said at least one low energy storage photovoltaic DC-DC power converter comprises at least one cycle-by-cycle energy storage-conversion voltage difference proportionality photovoltaic DC-DC power converter.
- 5
26. A multimodal solar energy power system as described in claim 19 or 20 wherein said multimodal converter functionality control circuitry comprises alternative mode photovoltaic power converter functionality control circuitry.
- 10 27. A multimodal solar energy power system as described in claim 19 wherein said at least one solar energy source comprises at least one plurality of solar panels, wherein said at least one multimodal photovoltaic DC-DC power converter comprises a plurality of series connected multimodal photovoltaic DC-DC power converters, each responsive to one of said plurality of solar panels and further comprising a series connection combining a plurality of photovoltaic DC converter outputs to create said converter photovoltaic DC power output.
- 15
28. A multimodal solar energy power system as described in claim 27 wherein said plurality of series connected multimodal photovoltaic DC-DC power converters are physically integrated with individual solar panels.
- 20
29. A multimodal solar energy power system as described in claim 19 wherein said multimodal converter functionality control circuitry comprises photovoltaic boundary condition converter functionality control circuitry.
- 25

30. A multimodal solar energy power system as described in claim 29 wherein said multimodal converter functionality control circuitry further comprises independent photovoltaic operating condition converter functionality control circuitry.
- 5 31. A multimodal solar energy power system as described in claim 19, 29, or 30 wherein said multimodal converter functionality control circuitry comprises maximum photovoltaic inverter input photovoltaic voltage converter output voltage functionality control circuitry.
- 10 32. A multimodal solar energy power system as described in claim 19, 29, or 30 wherein said multimodal converter functionality control circuitry comprises maximum photovoltaic output voltage-photovoltaic output current proportional photovoltaic converter functionality control circuitry.
- 15 33. A multimodal solar energy power system as described in claim 19 wherein said multimodal converter functionality control circuitry comprises:
- maximum photovoltaic inverter current converter functionality control circuitry;
- slaved maximum photovoltaic power point converter functionality control circuitry; and
- 20 - maximum photovoltaic inverter input photovoltaic voltage converter output voltage functionality control circuitry.
34. A multimodal solar energy power system as described in claim 19 wherein said multimodal converter functionality control circuitry comprises:
- 25 maximum photovoltaic inverter current converter functionality control circuitry;

- slaved photovoltaic voltage increase and photovoltaic voltage decrease maximum photovoltaic power point converter functionality control circuitry; and
- maximum photovoltaic inverter input voltage photovoltaic converter output voltage functionality control circuitry.

5

35. A multimodal solar energy power system as described in claim 19 wherein said multimodal converter functionality control circuitry comprises multimodal converter functionality control circuitry selected from a group consisting of:

10 alternative mode photovoltaic power converter functionality control circuitry configured to alternatively switch at at least some times between first modality photovoltaic DC-DC power conversion circuitry and second modality photovoltaic DC-DC power conversion circuitry;

both photovoltaic load impedance increase converter functionality control circuitry and photovoltaic load impedance decrease converter functionality control circuitry;

- 15 - photovoltaic boundary condition converter functionality control circuitry;
- posterior photovoltaic operating condition converter functionality control circuitry;
- posterior photovoltaic element protection converter functionality control circuitry;
- substantially power isomorphic photovoltaic converter functionality control circuitry;
- photovoltaic disable mode converter functionality control circuitry;
- 20 - photovoltaic inverter protection converter functionality control circuitry;
- photovoltaic inverter coordinated converter functionality control circuitry;
- photovoltaic slaved mode converter functionality control circuitry; and
- photovoltaic inverter slaved converter functionality control circuitry.

25 36 A multimodal solar energy power system as described in claim 19, 20, 27, or 35 and further comprising an AC power grid interface to which said AC power output supplies power.

37. A solar energy power converter comprising:

- at least one solar energy source having a DC photovoltaic output;
- a DC input that accepts power from said DC photovoltaic output;
- 5 - at least one multimodal photovoltaic DC-DC power converter responsive to said DC input;
- multimodal converter functionality control circuitry to which said at least one multimodal photovoltaic DC-DC power converter is responsive; and
- a photovoltaic DC power output connected to said multimodal
10 photovoltaic DC-DC power converter.

38. A solar energy power system as described in claim 37 wherein said photovoltaic DC-AC inverter comprises a high voltage DC-AC solar power inverter.

15 39. A solar energy power system as described in claim 38 wherein said photovoltaic AC power output comprises a three phase photovoltaic AC power output.

40. A solar energy power system as described in claim 1, 11, or 19 wherein said at least one solar energy source having a DC photovoltaic output comprises at least one solar cell.

20

41. A solar energy power system as described in claim 1, 11, or 19 wherein said at least one solar energy source having a DC photovoltaic output comprises a plurality of electrically connected solar cells.

42. A solar energy power system as described in claim 1, 11, or 19 wherein said at least one solar energy source having a DC photovoltaic output comprises a plurality of adjacent electrically connected solar cells.

5

43. A solar energy power system as described in claim 1, 11, or 19 wherein said at least one solar energy source having a DC photovoltaic output comprises at least one solar panel.

10

44. A solar energy power system as described in claim 1, 11, or 19 wherein said at least one solar energy source having a DC photovoltaic output comprises a plurality of electrically connected solar panels.

15

45. A solar energy power system as described in claim 1, 11, or 19 wherein said at least one solar energy source having a DC photovoltaic output comprises at least one string of electrically connected solar panels.

46. A solar energy power system as described in claim 44 wherein said wherein said photovoltaic DC-DC power converter comprises:

at least one photovoltaic power interrupt switch element;

20

- at least one photovoltaic power shunt switch element; and
- photovoltaic switch control circuitry to which said at least one photovoltaic power interrupt switch element and said at least one photovoltaic power shunt switch element are responsive.

47. A solar energy power system as described in claim 44 wherein said at least one power interrupt switch element comprises a pair of power series pathed semiconductor switches, and wherein said at least one power shunt switch element comprises a pair of power shunt pathed semiconductor switches.

5

48. A solar energy power system as described in claim 47 wherein said wherein said photovoltaic DC-DC power converter further comprises:

- a. at least one parallel capacitance; and
- b. at least one series inductance.

10

49. A solar energy power system as described in claim 47 wherein said converter functionality control circuitry comprises fractional switch element control circuitry.

15

50. A solar energy power system as described in claim 44 through 49 wherein said control circuitry comprises photovoltaic impedance transformation duty cycle switch control circuitry.

20

51. A solar energy power system as described in claim 44 through 50 wherein said at least one solar energy source comprises at least one plurality of solar panels, wherein said at least one photovoltaic DC-DC power converter comprises a plurality of series connected photovoltaic DC-DC power converters, each responsive to one of said plurality of solar panels and further comprising a series connection combining a plurality of photovoltaic DC converter outputs to create said converter photovoltaic DC power output.

52. A solar energy power system as described in claim 51 wherein said plurality of photovoltaic DC-DC power converters comprise a plurality of individually panel dedicated photovoltaic DC-DC power converters.
- 5 53. A solar energy power system as described in claim 52 wherein said converter functionality control circuitry comprises a plurality of individually panel dedicated maximum photovoltaic power point converter functionality control circuitries.
- 10 54. A solar energy power system as described in claim 53 wherein said plurality of individually panel dedicated photovoltaic DC-DC power converters and said plurality of individually panel dedicated maximum power point converter functionality control circuitries are each physically integrated with individual solar panels.
- 15 55. A solar energy power system as described in claim 52 wherein said plurality of individually panel dedicated photovoltaic DC-DC power converters and said plurality of solar panels comprise a plurality of series connected strings of solar power circuits.
- 20 56. A solar energy power system as described in claim 55 wherein said photovoltaic DC-AC inverter comprises a high voltage DC-AC solar power inverter.
57. A solar energy power system as described in claim 56 wherein said photovoltaic AC power output comprises a three phase photovoltaic AC power output.
- 25 58. A solar energy power system as described in claim 44 wherein said plurality of solar panels comprises a plurality of cadmium-telluride solar panels.

59. A solar energy power system as described in claim 51 or 55 wherein said photovoltaic DC-DC power converter comprises a full photovoltaic temperature voltage operating range photovoltaic DC-DC power converter.

5

60. A solar energy power system as described in claim 11 or 19 wherein said photovoltaic DC-DC power converter comprises:

- first modality photovoltaic DC-DC power conversion circuitry responsive to said DC input; and

10 - second modality photovoltaic DC-DC power conversion circuitry responsive to said DC input; and

15 wherein said converter functionality control circuitry comprises alternative mode photovoltaic power converter functionality control circuitry configured to alternatively switch at at least some times between said first modality photovoltaic DC-DC power conversion circuitry and said second modality photovoltaic DC-DC power conversion circuitry.

20 61. A solar energy power system as described in claim 60 wherein said alternative mode photovoltaic power converter functionality control circuitry comprises disable alternative mode photovoltaic power conversion control circuitry.

25 62. A solar energy power system as described in claim 61 wherein said first modality photovoltaic DC-DC power conversion circuitry and said second modality photovoltaic DC-DC power conversion circuitry comprise opposite modality photovoltaic DC-DC power conversion circuitries.

63. A solar energy power system as described in claim 62 wherein said opposite modality photovoltaic DC-DC power conversion circuitries comprise at least one impedance increase photovoltaic DC-DC power conversion circuitry and at least one impedance decrease photovoltaic DC-DC power conversion circuitry.

5

64. A solar energy power system as described in claim 60 wherein said alternative mode photovoltaic power converter functionality control circuitry comprises substantially disjunctive impedance transformation photovoltaic power conversion control circuitry.

10 65. A solar energy power system as described in claim 60 wherein said alternative mode photovoltaic power converter functionality control circuitry comprises alternative mode photovoltaic power converter functionality control circuitry selected from a group consisting of:

photovoltaic impedance transformation power conversion control circuitry;

- 15 - maximum photovoltaic inverter current converter functionality control circuitry;
- maximum photovoltaic power point converter functionality control circuitry;
- photovoltaic inverter operating condition converter functionality control circuitry;
- both photovoltaic load impedance increase converter functionality control circuitry and photovoltaic load impedance decrease converter functionality control circuitry;
- 20 - slaved maximum photovoltaic power point converter functionality control circuitry;
- slaved photovoltaic inverter operating condition converter functionality control circuitry;
- slaved photovoltaic load impedance increase converter functionality control circuitry;
- slaved photovoltaic load impedance decrease converter functionality control circuitry;
- 25 - both slaved photovoltaic load impedance increase converter functionality control circuitry and slaved photovoltaic load impedance decrease converter functionality control circuitry;
- photovoltaic boundary condition converter functionality control circuitry;

- posterior photovoltaic element protection converter functionality control circuitry;
- photovoltaic inverter protection converter functionality control circuitry;
- photovoltaic inverter coordinated converter functionality control circuitry; and
- all permutations and combinations of each of the above.

5

66. A solar energy power system as described in claim 65 and further comprising photovoltaic power condition responsive circuitry to which said alternative mode photovoltaic power conversion control circuitry is responsive.

10 67. A solar energy power system as described in claim 66 wherein said alternative mode photovoltaic power converter functionality control circuitry comprises threshold triggered alternative mode photovoltaic power conversion control circuitry.

15 68. A solar energy power system as described in claim 1 or 11 wherein said photovoltaic DC-DC power converter comprises at least one multimodal photovoltaic DC-DC power converter and wherein said converter functionality control circuitry comprises multimodal converter functionality control circuitry.

20 69. A solar energy power system as described in claim 68 wherein said multimodal converter functionality control circuitry comprises photovoltaic boundary condition converter functionality control circuitry.

25 70. A solar energy power system as described in claim 69 wherein said multimodal converter functionality control circuitry further comprises independent photovoltaic operating condition converter functionality control circuitry.

71. A solar energy power system as described in claim 68, 69, or 70 wherein said multimodal converter functionality control circuitry comprises a maximum photovoltaic inverter input photovoltaic converter output voltage functionality control circuitry.
- 5 72. A solar energy power system as described in claim 68, 69, or 70 wherein said multimodal converter functionality control circuitry comprises maximum photovoltaic output voltage- photovoltaic output current proportional photovoltaic converter functionality control circuitry.
- 10 73. A solar energy power system as described in claim 68 wherein said multimodal converter functionality control circuitry comprises:
- maximum photovoltaic inverter current converter functionality control circuitry;
- slaved maximum photovoltaic power point converter functionality control circuitry; and
- maximum photovoltaic inverter input photovoltaic voltage converter output voltage
- 15 functionality control circuitry.
74. A solar energy power system as described in claim 68 wherein said multimodal converter functionality control circuitry comprises:
- maximum photovoltaic inverter current converter functionality control circuitry;
- 20 - slaved photovoltaic voltage increase and photovoltaic voltage decrease maximum photovoltaic power point converter functionality control circuitry; and
- maximum photovoltaic inverter input voltage photovoltaic converter output voltage functionality control circuitry.

75. A solar energy power system as described in claim 68 wherein said multimodal converter functionality control circuitry comprises multimodal converter functionality control circuitry selected from a group consisting of:

alternative mode photovoltaic power converter functionality control circuitry configured to alternatively switch at at least some times between first modality photovoltaic DC-DC power conversion circuitry and second modality photovoltaic DC-DC power conversion circuitry; both photovoltaic load impedance increase converter functionality control circuitry and photovoltaic load impedance decrease converter functionality control circuitry;

- photovoltaic boundary condition converter functionality control circuitry;
- posterior photovoltaic operating condition converter functionality control circuitry;
- posterior photovoltaic element protection converter functionality control circuitry;
- substantially power isomorphic photovoltaic converter functionality control circuitry;
- photovoltaic disable mode converter functionality control circuitry;
- photovoltaic inverter protection converter functionality control circuitry;
- photovoltaic inverter coordinated converter functionality control circuitry;
- photovoltaic slaved mode converter functionality control circuitry; and
- photovoltaic inverter slaved converter functionality control circuitry.

76. A solar energy power system as described in claim 1, 11, or 19 and
and further comprising a solar power conversion comparator that indicates a solar energy parameter of a first power capability as compared to a second power capability.

77. A solar energy power system as described in claim 76 wherein said solar power conversion comparator comprises an conversion operation switch that switches operation between said first power capability and said second power capability.

78. A solar energy power system as described in claim 77 wherein said first power capability comprises a traditional power conversion capability and wherein said second power capability comprises an improved power conversion capability.
- 5 79. A solar energy power system as described in claim 76 or 77 wherein said solar power conversion comparator comprises a solar power conversion comparator selected from a group consisting of:
- a solar power output difference comparator;
 - a solar power efficiency difference comparator;
 - 10 - a solar power cost difference comparator; and
 - a solar power insolation utilization comparator.
80. A solar energy power system as described in claim 78 wherein said improved power conversion capability comprises an improved power conversion capability selected from a group consisting of:
- alternative mode photovoltaic power converter capability;
 - substantially power isomorphic photovoltaic impedance converter capability; and
 - 15 - multimodal photovoltaic DC-DC power converter capability.
- 20 81. A solar energy power system as described in claim 80 wherein said photovoltaic DC-DC power converter comprises a pair of power series pathed semiconductor switches, and wherein said at least one power shunt switch element comprises a pair of power shunt pathed semiconductor switches and wherein said solar power conversion comparator comprises a shunt switch operation disable element.

82. A solar energy power system as described in claim 1 or 19 wherein said converter functionality control circuitry comprises substantially power isomorphic photovoltaic converter functionality control circuitry.
- 5 83. A solar energy power system as described in claim 82 wherein said photovoltaic DC-DC power converter comprises a substantially power isomorphic photovoltaic impedance converter.
- 10 84. A solar energy power system as described in claim 83 wherein said at least one solar energy source comprises at least one plurality of solar panels, wherein said DC-DC power converter comprises a plurality of series connected DC-DC power converters, each independently responsive to one of said plurality of solar panels, and wherein said plurality of series connected DC-DC power converters each individually comprise:
- individual first modality photovoltaic DC-DC power conversion circuitry
15 responsive to said DC input;
 - individual second modality photovoltaic DC-DC power conversion
circuitry responsive to said DC input; and
 - individual alternative mode photovoltaic power converter functionality
20 control circuitry configured to alternatively switch at at least some times between said first modality photovoltaic DC-DC power conversion circuitry and said second modality photovoltaic DC-DC power conversion circuitry.
- 25 85. A solar energy power system as described in claim 84 wherein said individual alternative mode photovoltaic power converter functionality control circuitry comprises static switch alternative mode photovoltaic power conversion control circuitry.

86. A solar energy power system as described in claim 83 or 84 wherein said substantially power isomorphic photovoltaic converter functionality control circuitry comprises substantially power isomorphic photovoltaic converter functionality control circuitry selected from a group consisting of:
- 5 at least about 97% efficient photovoltaic conversion circuitry,
- at least about 97.5% efficient photovoltaic conversion circuitry,
 - at least about 98% efficient photovoltaic conversion circuitry,
 - at least about 98.5% efficient photovoltaic conversion circuitry,
 - 10 - at least about 97% up to about 99.2% efficient photovoltaic conversion circuitry,
 - at least about 97.5% up to about 99.2% efficient photovoltaic conversion circuitry,
 - at least about 98% up to about 99.2% efficient photovoltaic conversion circuitry,
 - at least about 98.5% up to about 99.2% efficient photovoltaic conversion circuitry,
 - at least about 97% up to about wire transmission loss efficient photovoltaic conversion circuitry,
 - 15 - at least about 97.5% up to about wire transmission loss efficient photovoltaic conversion circuitry,
 - at least about 98% up to about wire transmission loss efficient photovoltaic conversion circuitry, and
 - 20 - at least about 98.5% up to about wire transmission loss efficient photovoltaic conversion circuitry.
87. A solar energy power system as described in claim 1, 11, or 19 and further comprising maximum photovoltaic power point converter functionality control circuitry to which said at least one photovoltaic DC-DC power converter is responsive.
- 25
88. A solar energy power system as described in claim 87 and further

comprising power calculation circuitry to which said maximum photovoltaic power point converter functionality control circuitry is responsive.

89. A solar energy power system as described in claim 88 wherein said power calculation
5 circuitry comprises photovoltaic multiplicative resultant circuitry.
90. A solar energy power system as described in claim 87 wherein said converter
functionality control circuitry further comprises independent photovoltaic converter
maximum voltage output control circuitry that is independent of said maximum
10 photovoltaic power point converter functionality control circuitry.
91. A solar energy power system as described in claim 90 wherein said at least one solar
energy source comprises at least one plurality of solar panels, wherein said photovoltaic
DC-DC power converter comprises a plurality of individually panel dedicated
15 photovoltaic DC-DC power converters having a plurality of photovoltaic DC power
outputs, wherein each of said individually panel dedicated photovoltaic DC-DC power
converters is physically integrated with an individual solar panel, and further comprising
a plurality of converter output series connections to which said plurality of photovoltaic
DC power outputs are serially connected, and wherein said converter functionality
20 control circuitry comprises a plurality of individually panel dedicated maximum
photovoltaic power point converter functionality control circuitries.
92. A solar energy power system as described in claim 90 wherein said independent
photovoltaic converter maximum voltage output control circuitry comprises insolation
25 variable adaptive photovoltaic converter control circuitry.

93. A solar energy power system as described in claim 1, 11 or 19 wherein said converter functionality control circuitry comprises photovoltaic duty cycle switch control circuitry.

5 94. A solar energy power system as described in claim 93 wherein said photovoltaic duty cycle switch control circuitry comprises photovoltaic impedance transformation duty cycle switch control circuitry.

10 95. A solar energy power system as described in claim 93 wherein said photovoltaic duty cycle switch control circuitry comprises photovoltaic duty cycle switch control circuitry selected from a group consisting of:

threshold determinative switching photovoltaic power conversion control circuitry;

switch frequency alteration switching photovoltaic power conversion control circuitry;

- burst mode switching photovoltaic power conversion control circuitry; and
- all permutations and combinations of each of the above.

15

96. A solar energy power system as described in claim 93 wherein said photovoltaic duty cycle switch control circuitry comprises:

threshold determinative mode activation switching photovoltaic power conversion control circuitry; and

20 - threshold determinative mode deactivation switching photovoltaic power conversion control circuitry.

97. A solar energy power system as described in claim 93 wherein said

25 photovoltaic duty cycle switch control circuitry comprises photovoltaic duty cycle switch control circuitry selected from a group consisting of:

- solar energy source open circuit cold voltage determinative switching photovoltaic power conversion control circuitry;
 - solar energy source maximum power point hot voltage determinative switching photovoltaic power conversion control circuitry;
 - 5 - maximum voltage determinative switching photovoltaic power conversion control circuitry;
 - inverter maximum current determinative switching photovoltaic power conversion control circuitry; and
 - all permutations and combinations of each of the above.
- 10
98. A solar energy power system as described in claim 93 wherein said photovoltaic duty cycle switch control circuitry comprises maximum photovoltaic power point converter control circuitry.
- 15 99. A solar energy power system as described in claim 98 wherein said photovoltaic duty cycle switch control circuitry further comprises photovoltaic inverter maximum voltage determinative duty cycle switch control circuitry.
- 20 100. A solar energy power system as described in claim 98, or 99 wherein said photovoltaic duty cycle switch control circuitry further comprises maximum photovoltaic voltage determinative duty cycle switch control circuitry.
- 25 101. A solar energy power system as described in claim 98, 99, or 100 wherein said photovoltaic duty cycle switch control circuitry further comprises photovoltaic inverter maximum current determinative duty cycle switch control circuitry.

102. A solar energy power system as described in claim 98, 99, 100, or 101 wherein said photovoltaic duty cycle switch control circuitry further comprises soft transition photovoltaic power conversion control circuitry.
- 5 103. A solar energy power system as described in claim 102
wherein said soft transition photovoltaic power conversion control circuitry comprises maximum photovoltaic output voltage-photovoltaic output current proportional duty cycle switch control circuitry.
- 10 104. A solar energy power system as described in claim 98, 99, 100, 101, or 103 wherein said photovoltaic duty cycle switch control circuitry further comprises transient opposition mode photovoltaic duty cycle switch control circuitry.
105. A vacillatory method of solar energy power creation comprising
15 the steps of:
- creating a DC photovoltaic output from at least one solar energy source;
 - establishing said DC photovoltaic output as a DC photovoltaic input to a photovoltaic DC-DC power converter;
 - providing a first modality of photovoltaic DC-DC power conversion;
 - 20 - providing a second modality of photovoltaic DC-DC power conversion;
 - alternately switching between said first modality of photovoltaic DC-DC power conversion and said second modality of photovoltaic DC-DC power conversion to accomplish controlling operation of said photovoltaic DC-DC converter;

- converting said DC photovoltaic input utilizing at least one of said first or said second modalities of photovoltaic DC-DC power conversion into a converted DC photovoltaic output;
 - establishing said converted DC photovoltaic output as a converted DC photovoltaic input to a DC-AC inverter; and
 - inverting said converted DC photovoltaic input into an inverted AC photovoltaic output.
106. A vacillatory method of solar energy power creation as described in claim 105 wherein said step of alternatingly switching between said first modality of photovoltaic DC-DC power conversion and said second modality of photovoltaic DC-DC power conversion comprises the step of disabling a modality of photovoltaic DC-DC power conversion.
107. A vacillatory method of solar energy power creation as described in claim 106 wherein said steps of providing a first modality of photovoltaic DC-DC power conversion and providing a second modality of photovoltaic DC-DC power conversion comprise the step of providing opposing modalities of photovoltaic DC-DC power conversion.
108. A vacillatory method of solar energy power creation as described in claim 107 wherein said step of providing opposing modalities of photovoltaic DC-DC power conversion comprises the steps of:

- providing at least one photovoltaic impedance increase modality of photovoltaic DC-DC power conversion; and
- providing at least one photovoltaic impedance decrease modality of photovoltaic DC-DC power conversion.

5

109. A vacillatory method of solar energy power creation as described in claim

105 wherein said steps of providing a first modality of photovoltaic DC-DC power conversion and providing a second modality of photovoltaic DC-DC power conversion comprise the step of providing disjunctive modalities of photovoltaic DC-DC power conversion.

10

110. A vacillatory method of solar energy power creation as described in claim

105 wherein said step of alternately switching between said first modality of photovoltaic DC-DC power conversion and said second modality of photovoltaic DC-DC power conversion comprises the step of alternately switching between modalities of photovoltaic DC-DC power conversion selected from a group consisting of:

15

- a photovoltaic impedance transformation modality of photovoltaic DC-DC power conversion;
- a maximum photovoltaic inverter current modality of photovoltaic DC-DC power conversion;
- a maximum photovoltaic power point modality of photovoltaic DC-DC power conversion;
- a photovoltaic inverter operating condition modality of photovoltaic DC-DC power conversion;
- a combined photovoltaic load impedance increase modality of photovoltaic DC-DC power conversion and photovoltaic load impedance decrease modality of photovoltaic DC-DC power conversion;

20

25

- a slaved maximum photovoltaic power point modality of photovoltaic DC-DC power conversion;
- a slaved photovoltaic inverter operating condition modality of photovoltaic DC-DC power conversion;
- 5 - a slaved photovoltaic load impedance increase modality of photovoltaic DC-DC power conversion;
- a slaved photovoltaic load impedance decrease modality of photovoltaic DC-DC power conversion;
- combined slaved photovoltaic load impedance increase modality of photovoltaic DC-DC power conversion and slaved photovoltaic load impedance decrease modality of photovoltaic DC-DC power conversion;
- 10 - a photovoltaic boundary condition modality of photovoltaic DC-DC power conversion;
- a posterior photovoltaic element protection modality of photovoltaic DC-DC power conversion;
- 15 - a photovoltaic inverter protection modality of photovoltaic DC-DC power conversion;
- a photovoltaic inverter coordinated modality of photovoltaic DC-DC power conversion; and
- 20 - all permutations and combinations of each of the above.

111. A vacillatory method of solar energy power creation as described in claim

105 and further comprising the step of conversion modality responding to at least one photovoltaic power condition.

25

112. A vacillatory method of solar energy power creation as described in claim

111 wherein said step of conversion modality responding to at least one photovoltaic power condition comprises the step of threshold triggering an alternative modality of photovoltaic DC-DC power conversion.

113. A vacillatory method of solar energy power creation as described in claim 105 or 110 and further comprising the step of interfacing said inverted AC photovoltaic output with an AC power grid.

5

114. A method of solar energy power conversion comprising the steps of:

- creating a DC photovoltaic output from at least one solar energy source;
- establishing said DC photovoltaic output as a DC photovoltaic input to a photovoltaic DC-DC power converter;
- 10 - providing a first modality of photovoltaic DC-DC power conversion;
- providing a second modality of photovoltaic DC-DC power conversion;
- alternately switching between said first modality of photovoltaic DC-DC power conversion and said second modality of photovoltaic DC-DC power conversion to accomplish controlling operation of said photovoltaic DC-DC converter; and
- 15 - converting said DC photovoltaic input utilizing at least one of said first or said second modalities of photovoltaic DC-DC power conversion into a converted DC photovoltaic output.

115. An efficient method of solar energy power creation comprising the steps of:

- 20 - creating a DC photovoltaic output from at least one solar energy source;
- establishing said DC photovoltaic output as a DC photovoltaic input to a photovoltaic DC-DC converter;
- substantially power isomorphically converting said DC photovoltaic input into a converted DC photovoltaic output;

- substantially power isomorphically controlling operation of said photovoltaic DC-DC converter while it acts to convert said DC photovoltaic input into said converted DC photovoltaic output;
 - establishing said converted DC photovoltaic output as a converted DC photovoltaic input to a DC-AC inverter; and
 - inverting said converted DC photovoltaic input into an inverted AC photovoltaic output.
116. An efficient method of solar energy power creation as described in claim 115 wherein said step of substantially power isomorphically converting said DC photovoltaic input into a converted DC photovoltaic output comprises the step of substantially power isomorphically converting a photovoltaic circuitry impedance.
117. An efficient method of solar energy power creation as described in claim 116 wherein said step of substantially power isomorphically converting a photovoltaic circuitry impedance comprises the step of switchmode converting a photovoltaic circuitry impedance.
118. An efficient method of solar energy power creation as described in claim 117 wherein said step of switchmode converting a photovoltaic circuitry impedance comprises the step of alternately switching between a first modality of photovoltaic DC-DC power conversion and a second modality of photovoltaic DC-DC power conversion.
119. An efficient method of solar energy power creation as described in claim 118 wherein said step of substantially power isomorphically converting said DC photovoltaic input comprises the step of static switch converting said DC photovoltaic input.

120. An efficient method of solar energy power creation as described in claim 116 or 118 wherein said step of substantially power isomorphically converting comprises the step of substantially power isomorphically converting selected from a group consisting of:

- 5 - solar power converting with at least about 97% efficiency,
- solar power converting with at least about 97.5% efficiency,
- solar power converting with at least about 98% efficiency,
- solar power converting with at least about 98.5% efficiency,
- solar power converting with at least about 97% up to about 99.2% efficiency,
- 10 - solar power converting with at least about 97.5% up to about 99.2% efficiency,
- solar power converting with at least about 98% up to about 99.2% efficiency,
- solar power converting with at least about 98.5% up to about 99.2% efficiency,
- solar power converting with at least about 97% up to about wire transmission loss efficiency,
- 15 - solar power converting with at least about 97.5% up to about wire transmission loss efficiency,
- solar power converting with at least about 98% up to about wire transmission loss efficiency, and
- solar power converting with at least about 98.5% up to about wire transmission loss efficiency.
- 20

121. An efficient method of solar energy power creation as described in claim 115, 118, or 120 and further comprising the step of interfacing said inverted AC photovoltaic output with an AC power grid.

25

122. An method of solar energy power conversion comprising the steps of:

- creating a DC photovoltaic output from at least one solar energy source;

- establishing said DC photovoltaic output as a DC photovoltaic input to a photovoltaic DC-DC converter;
 - substantially power isomorphically converting said DC photovoltaic input into a converted DC photovoltaic output; and
 - 5 - substantially power isomorphically controlling operation of said photovoltaic DC-DC converter while it acts to convert said DC photovoltaic input into said converted DC photovoltaic output.
123. A multimodal method of solar energy power creation comprising the steps of:
- 10 - creating a DC photovoltaic output from at least one solar energy source;
 - establishing said DC photovoltaic output as a DC photovoltaic input to a photovoltaic DC-DC converter;
 - multimodally converting said DC photovoltaic input into a converted DC photovoltaic output;
 - 15 - multimodally controlling operation of said photovoltaic DC-DC converter while it acts to convert said DC photovoltaic input into said converted DC photovoltaic output;
 - establishing said converted DC photovoltaic output as a converted DC photovoltaic input to a DC-AC inverter; and
 - 20 - inverting said converted DC photovoltaic input into an inverted AC photovoltaic output.

124. A multimodal method of solar energy power creation as described in claim

123 wherein said step of multimodally converting said DC photovoltaic input into a converted DC photovoltaic output comprises the step of low energy storage converting said DC photovoltaic input into a converted DC photovoltaic output.

5 125. A multimodal method of solar energy power creation as described in claim

124 wherein said step of low energy storage converting said DC photovoltaic input into a converted DC photovoltaic output comprises the step of only partially storing energy during the process of converting said DC photovoltaic input into a converted DC photovoltaic output.

10

126. A multimodal method of solar energy power creation as described in claim

124 wherein said step of low energy storage converting said DC photovoltaic input into a converted DC photovoltaic output comprises the step of providing substantially constant energy storage when unity converting said DC photovoltaic input into a converted DC photovoltaic output.

15

127. A multimodal method of solar energy power creation as described in claim

124 wherein said step of low energy storage converting said DC photovoltaic input into a converted DC photovoltaic output comprises the step of storing energy proportional to a duty cycle used in converting said DC photovoltaic input into a converted DC photovoltaic output.

20

128. A multimodal method of solar energy power creation as described in claim

124 wherein said step of low energy storage converting said DC photovoltaic input into a converted DC photovoltaic output comprises the step of storing energy in an inductor

25

proportional to a switch duty cycle used in converting said DC photovoltaic input into a converted DC photovoltaic output.

129. A multimodal method of solar energy power creation as described in claim

5 124 wherein said step of low energy storage converting said DC photovoltaic input into a converted DC photovoltaic output comprises the step of storing cycle-by-cycle energy proportional to a voltage difference caused by said step of converting said DC photovoltaic input into a converted DC photovoltaic output.

10 130. A multimodal method of solar energy power creation as described in claim

123 or 124 wherein said step of multimodally converting said DC photovoltaic input into a converted DC photovoltaic output comprises the step of alternately switching between a first modality of photovoltaic DC-DC power conversion and a second modality of photovoltaic DC-DC power conversion.

15

131. A multimodal method of solar energy power creation as described in claim

123 wherein said step of creating a DC photovoltaic output from at least one solar energy source comprises the step of creating a plurality of DC photovoltaic outputs from a plurality of solar panels and a plurality of converted DC photovoltaic outputs, and further
20 comprising the step of serially combining said converted DC photovoltaic outputs to create said converted DC photovoltaic input to said photovoltaic DC-AC inverter.

132. A multimodal method of solar energy power creation as described in claim

131 wherein said step of multimodally converting said DC photovoltaic input into a converted DC photovoltaic output comprises the step of integrally converting said DC photovoltaic input into a converted DC photovoltaic output on at least one solar panel.

5 133. A multimodal method of solar energy power creation as described in claim 123 wherein said step of multimodally controlling operation of said photovoltaic DC-DC converter comprises the step of controlling a photovoltaic boundary condition of said photovoltaic DC-DC converter.

10 134. A multimodal method of solar energy power creation as described in claim 133 wherein said step of multimodally controlling operation of said photovoltaic DC-DC converter further comprises the step of independently controlling a photovoltaic operating condition of said photovoltaic DC-DC converter apart from said step of controlling a boundary condition of said photovoltaic DC-DC converter.

15

135. A multimodal method of solar energy power creation as described in claim 123, 133, or 134 wherein said step of multimodally controlling operation of said photovoltaic DC-DC converter comprises the step of controlling a maximum photovoltaic inverter input voltage output by said photovoltaic DC-DC converter.

20

136. A multimodal method of solar energy power creation as described in claim 123, 133, or 134 wherein said step of multimodally controlling operation of said photovoltaic DC-DC converter comprises the step of controlling a maximum photovoltaic output voltage proportional to a photovoltaic output current at at least some time during

the process of converting said DC photovoltaic input into a converted DC photovoltaic output.

137 A multimodal method of solar energy power creation as described in claim

5 123 wherein said step of multimodally controlling operation of said photovoltaic DC-DC converter comprises the steps of:

- controlling a maximum photovoltaic inverter input current from said photovoltaic DC-DC converter;
- slavedly controlling a maximum photovoltaic power point operation through said photovoltaic DC-DC converter; and
- controlling a maximum photovoltaic inverter input voltage from said photovoltaic DC-DC converter.

138. A multimodal method of solar energy power creation as described in claim

15 123 wherein said step of multimodally controlling operation of said photovoltaic DC-DC converter comprises the steps of:

- controlling a maximum photovoltaic inverter input current from said photovoltaic DC-DC converter;
- slavedly controlling a photovoltaic impedance increase and photovoltaic impedance decrease through said photovoltaic DC-DC converter; and
- controlling a maximum photovoltaic inverter input voltage through operation of said photovoltaic DC-DC converter.

139. A multimodal method of solar energy power creation as described in claim 123 wherein
25 said step of multimodally controlling operation of said photovoltaic DC-DC converter comprises a step selected from a group consisting of the steps of:

alternating between a first modality of photovoltaic DC-DC power conversion and a second modality of photovoltaic DC-DC power conversion at at least some times;

- both photovoltaic load impedance increasing and photovoltaic load impedance decreasing;
- 5 - controlling a photovoltaic conversion boundary condition;
- controlling a posterior photovoltaic operating condition through control of said photovoltaic DC-DC converter;
- protecting a posterior photovoltaic element through control of said photovoltaic DC-DC converter;
- 10 - substantially power isomorphically controlling operation of said photovoltaic DC-DC converter;
- substantially power isomorphic photovoltaic converter functionality control circuitry;
- disabling a photovoltaic conversion mode through control of said photovoltaic DC-DC converter;
- 15 - protecting a photovoltaic inverter through control of said photovoltaic DC-DC converter
- controlling said photovoltaic DC-DC converter to coordinate with characteristics of a photovoltaic inverter;
- slavedly controlling a photovoltaic conversion modality through said photovoltaic DC-DC converter; and
- 20 - photovoltaic inverter slavedly controlling a photovoltaic conversion modality through said photovoltaic DC-DC converter.

140. An efficient method of solar energy power creation as described in claim 123, 131, or
25 139 and further comprising the step of interfacing said inverted AC photovoltaic output with an AC power grid.

141. A method of solar energy power conversion comprising the steps of:

- creating a DC photovoltaic output from at least one solar energy source;

- establishing said DC photovoltaic output as a DC photovoltaic input to a photovoltaic DC-DC converter;
 - multimodally converting said DC photovoltaic input into a converted DC photovoltaic output; and
 - 5 - multimodally controlling operation of said photovoltaic DC-DC converter while it acts to convert said DC photovoltaic input into said converted DC photovoltaic output.
- 10 142. A method of solar energy power creation as described in claim 105, 115, or 123 wherein said step of creating a DC photovoltaic output from at least one solar energy source comprises the step of creating a DC photovoltaic output from at least one solar cell.
- 15 143. A method of solar energy power creation as described in claim 105, 115, or 123 wherein said step of creating a DC photovoltaic output from at least one solar energy source comprises the step of creating a DC photovoltaic output from a plurality of electrically connected solar cells.
- 20 144. A method of solar energy power creation as described in claim 105, 115, or 123 wherein said step of creating a DC photovoltaic output from at least one solar energy source comprises the step of creating a DC photovoltaic output from a plurality of adjacent electrically connected solar cells.
- 25 145. A method of solar energy power creation as described in claim 105, 115, or 123 wherein said step of creating a DC photovoltaic output from at least one solar energy source comprises the step of creating a DC photovoltaic output from at least one solar panel.

146. A method of solar energy power creation as described in claim 105, 115, or 123 wherein said step of creating a DC photovoltaic output from at least one solar energy source comprises the step of combining outputs from a plurality of electrically connected solar panels.
147. A method of solar energy power creation as described in claim 105, 115, or 123 wherein said step of creating a DC photovoltaic output from at least one solar energy source comprises the step of creating a DC photovoltaic output from at least one string of electrically connected solar panels.
148. A method of solar energy power creation as described in claim 146 wherein said step of converting said DC photovoltaic input into a converted DC photovoltaic output comprises the steps of:
- serially interrupting a transmission of said photovoltaic power; and
 - shunting a transmission of said photovoltaic power.
149. A method of solar energy power creation as described in claim 146 wherein both said steps of serially interrupting a transmission of said photovoltaic power and shunting a transmission of said photovoltaic power can each occur at at least two separate semiconductor switch locations.
150. A method of solar energy power creation as described in claim 149 wherein said step of converting said DC photovoltaic input into a converted DC photovoltaic output comprises the steps of :

capacitively storing parallel energy at at least some time during said step of converting;
and

- inductively storing series energy at at least some time during said step of converting.

5

151. A method of solar energy power creation as described in claim 149 wherein said step of controlling operation of said photovoltaic DC-DC converter comprises the step of fractionally switching semiconductor switch elements within said photovoltaic DC-DC converter.

10

152. A method of solar energy power creation as described in claim 151 wherein said step of controlling operation of said photovoltaic DC-DC converter comprises the step of duty cycle transforming a photovoltaic impedance.

15

153. A method of solar energy power creation as described in claim 146 through 21.6 wherein said step of converting said DC photovoltaic input comprises the step of serially connecting a plurality of photovoltaic DC-DC power converters, each responsive to one of said plurality of solar panels.

20

154. A method of solar energy power creation as described in claim 153 wherein said step of converting said DC photovoltaic input further comprises the step of individual dedicated panel converting a DC photovoltaic input from each of said plurality of solar panels.

25

155. A method of solar energy power creation as described in claim 154 wherein

said step of individual dedicated panel converting a DC photovoltaic input from each of said plurality of solar panels comprises the step of individual dedicated maximum photovoltaic power point converting a DC photovoltaic input from each of said plurality of solar panels.

5

156. A method of solar energy power creation as described in claim 155 wherein said step of converting said DC photovoltaic input comprises the step of physically integrally converting said DC photovoltaic input for individual solar panels.

10 157. A method of solar energy power creation as described in claim 154 and further comprising the step of serially connecting a plurality of photovoltaic DC-DC power converters to serially connect outputs from said plurality of solar panels.

15 158. A method of solar energy power creation as described in claim 157 wherein said step of inverting said converted DC photovoltaic input into an inverted AC photovoltaic output comprises the step of high voltage inverting said converted DC photovoltaic input into a high voltage inverted AC photovoltaic output.

20 159. A method of solar energy power creation as described in claim 158 wherein said step of inverting said converted DC photovoltaic input into an inverted AC photovoltaic output comprises the step of high voltage inverting said converted DC photovoltaic input into a three phase high voltage inverted AC photovoltaic output.

160. A method of solar energy power creation as described in claim 146 wherein said step of combining outputs from a plurality of electrically connected solar panels comprises the step of combining outputs from a plurality of cadmium-telluride solar panels.
- 5 161. A method of solar energy power creation as described in claim 146 through 21.6 wherein said step of converting said DC photovoltaic input comprises the step of parallelly connecting a plurality of photovoltaic DC-DC power converters, each responsive to one of said plurality of solar panels.
- 10 162. A method of solar energy power creation as described in claim 153 or 157 wherein said step of converting said DC photovoltaic input comprises the step of full photovoltaic temperature voltage operating range converting said DC photovoltaic input.
- 15 163. A method of solar energy power creation as described in claim 115 or 123 wherein said step of converting said DC photovoltaic input comprises the step of alternatingly switching between a first modality of photovoltaic DC-DC power conversion and a second modality of photovoltaic DC-DC power conversion.
- 20 164. A method of solar energy power creation as described in claim 163 wherein said step of converting said DC photovoltaic input comprises the step of disabling a modality of photovoltaic DC-DC power conversion.
- 25 165. A method of solar energy power creation as described in claim 164 wherein said step of converting said DC photovoltaic input comprises the step of providing opposing modalities of photovoltaic DC-DC power conversion.

166. A method of solar energy power creation as described in claim 165 wherein said step of providing opposing modalities of photovoltaic DC-DC power conversion comprises the steps of:
- 5 - providing at least one photovoltaic impedance increase modality of photovoltaic DC-DC power conversion; and
 - providing at least one photovoltaic impedance decrease modality of photovoltaic DC-DC power conversion.
- 10 167. A method of solar energy power creation as described in claim 163 wherein said first modality of photovoltaic DC-DC power conversion and said second modality of photovoltaic DC-DC power conversion comprise the step of providing disjunctive modalities of photovoltaic DC-DC power conversion.
- 15 168. A method of solar energy power creation as described in claim 163 wherein said step of alternately switching between said first modality of photovoltaic DC-DC power conversion and said second modality of photovoltaic DC-DC power conversion comprises the step of alternately switching between modalities of photovoltaic DC-DC power conversion selected from a group consisting of:
- 20 - a photovoltaic impedance transformation modality of photovoltaic DC-DC power conversion;
 - a maximum photovoltaic inverter current modality of photovoltaic DC-DC power conversion;
 - a maximum photovoltaic power point modality of photovoltaic DC-DC power conversion;
 - 25 - a photovoltaic inverter operating condition modality of photovoltaic DC-DC power conversion;

- a combined photovoltaic load impedance increase modality of photovoltaic DC-DC power conversion and photovoltaic load impedance decrease modality of photovoltaic DC-DC power conversion;
 - a slaved maximum photovoltaic power point modality of photovoltaic DC-DC power conversion;
 - a slaved photovoltaic inverter operating condition modality of photovoltaic DC-DC power conversion;
 - a slaved photovoltaic load impedance increase modality of photovoltaic DC-DC power conversion;
 - a slaved photovoltaic load impedance decrease modality of photovoltaic DC-DC power conversion;
 - combined slaved photovoltaic load impedance increase modality of photovoltaic DC-DC power conversion and slaved photovoltaic load impedance decrease modality of photovoltaic DC-DC power conversion;
 - a photovoltaic boundary condition modality of photovoltaic DC-DC power conversion;
 - a posterior photovoltaic element protection modality of photovoltaic DC-DC power conversion;
 - a photovoltaic inverter protection modality of photovoltaic DC-DC power conversion;
 - a photovoltaic inverter coordinated modality of photovoltaic DC-DC power conversion; and
 - all permutations and combinations of each of the above.
- 25 169. A method of solar energy power creation as described in claim 168 and further comprising the step of conversion modality responding to at least one photovoltaic power condition.
- 30 170. A method of solar energy power creation as described in claim 169 wherein said step of conversion modality responding to at least one photovoltaic power condition comprises

the step of threshold triggering an alternative modality of photovoltaic DC-DC power conversion.

171. A method of solar energy power creation as described in claim 105 or 115 wherein and
5 further comprising the steps of:
- multimodally converting said DC photovoltaic input into a converted DC photovoltaic output; and
 - multimodally controlling operation of said photovoltaic DC-DC converter while it acts to convert said DC photovoltaic input into said converted DC photovoltaic
10 output.
172. A method of solar energy power creation as described in claim 171 wherein said step of multimodally controlling operation of said photovoltaic DC-DC converter comprises the step of controlling a photovoltaic boundary condition of said photovoltaic DC-DC
15 converter.
173. A method of solar energy power creation as described in claim 172 wherein said step of multimodally controlling operation of said photovoltaic DC-DC converter further comprises the step of independently controlling a photovoltaic operating condition of a photovoltaic DC-DC converter apart from said step of controlling a boundary
20 condition of said photovoltaic DC-DC converter.
174. A method of solar energy power creation as described in claim 171, 172, or 173 wherein said step of multimodally controlling operation of said photovoltaic DC-DC converter comprises the step of controlling a maximum photovoltaic inverter input
25 voltage output by said photovoltaic DC-DC converter.

175. A method of solar energy power creation as described in claim 171, 172, or 173 wherein said step of multimodally controlling operation of said photovoltaic DC-DC converter comprises the step of controlling a maximum photovoltaic output voltage proportional to a photovoltaic output current at at least some time during the process of converting said DC photovoltaic input into a converted DC photovoltaic output.
176. A method of solar energy power creation as described in claim 171 wherein said step of multimodally controlling operation of said photovoltaic DC-DC converter comprises the steps of:
- controlling a maximum photovoltaic inverter input current from said photovoltaic DC-DC converter;
 - slavedly controlling a maximum photovoltaic power point operation through said photovoltaic DC-DC converter; and
 - controlling a maximum photovoltaic inverter input voltage from said photovoltaic DC-DC converter.
177. A method of solar energy power creation as described in claim 171 wherein said step of multimodally controlling operation of said photovoltaic DC-DC converter comprises the steps of:
- controlling a maximum photovoltaic inverter input current from said photovoltaic DC-DC converter;
 - slavedly controlling a photovoltaic impedance increase and photovoltaic impedance decrease through said photovoltaic DC-DC converter; and

- controlling a maximum photovoltaic inverter input voltage through operation of said photovoltaic DC-DC converter.

178. A method of solar energy power creation as described in claim 171 wherein said

5 step of multimodally controlling operation of said photovoltaic DC-DC converter comprises a step selected from a group consisting of the steps of:

- alternating between a first modality of photovoltaic DC-DC power conversion and a second modality of photovoltaic DC-DC power conversion at at least some times;
- both photovoltaic load impedance increasing and photovoltaic load impedance decreasing;
- 10 - controlling a photovoltaic conversion boundary condition;
- controlling a posterior photovoltaic operating condition through control of said photovoltaic DC-DC converter;
- protecting a posterior photovoltaic element through control of said photovoltaic DC-DC converter;
- 15 - substantially power isomorphically controlling operation of said photovoltaic DC-DC converter;
- substantially power isomorphic photovoltaic converter functionality control circuitry;
- disabling a photovoltaic conversion mode through control of said photovoltaic DC-DC converter;
- 20 - protecting a photovoltaic inverter through control of said photovoltaic DC-DC converter;
- controlling said photovoltaic DC-DC converter to coordinate with characteristics of a photovoltaic inverter;
- 25 - slavedly controlling a photovoltaic conversion modality through said photovoltaic DC-DC converter; and
- photovoltaic inverter slavedly controlling a photovoltaic conversion modality through said photovoltaic DC-DC converter.

- 179 A method of solar energy power creation as described in claim 105, 115, or
123 and further comprising the step of comparing solar power conversion between a first
power capability as compared to a second power capability.
- 5 180. A method of solar energy power creation as described in claim 179 wherein
said step of comparing solar power conversion between a first power capability as
compared to a second power capability comprises the step of switching operation
between said first power capability and said second power capability.
- 10 181. A method of solar energy power creation as described in claim 180 wherein said step of
switching operation between said first power capability and said second power capability
comprises the step of switching between the steps of traditionally power converting said
DC photovoltaic input and improved power converting said DC photovoltaic input.
- 15 182 A method of solar energy power creation as described in claim 179 or 180 wherein said
step of comparing solar power conversion comprises a step selected from a group
consisting of:
- comparing solar power output differences;
 - comparing solar power efficiency differences;
 - 20 - comparing solar power cost differences; and
 - comparing solar power insolation utilizations.
183. A method of solar energy power creation as described in claim 181 wherein said step of
improved power converting said DC photovoltaic input comprises a step selected from a
25 group consisting of:

- alternately switching between a first modality of photovoltaic DC-DC power conversion and a second modality of photovoltaic DC-DC power conversion,
 - substantially power isomorphically converting said DC photovoltaic input into a converted DC photovoltaic output, and
 - 5 - multimodally converting said DC photovoltaic input into a converted DC photovoltaic output.
184. A method of solar energy power creation as described in claim 183 wherein said step of improved power converting said DC photovoltaic input comprises the steps of:
- 10 - serially interrupting a transmission of said photovoltaic power through circuitry such that it can each occur at at least two separate semiconductor switch locations; and
 - shunting a transmission of said photovoltaic power through circuitry such that it can each occur at at least two separate semiconductor switch locations.
- 15 185. A method of solar energy power creation as described in claim 105 or 123 wherein said step of converting said DC photovoltaic input into a converted DC photovoltaic output comprises the step of substantially power isomorphically converting said DC photovoltaic input into a converted DC photovoltaic output.
- 20 186. A method of solar energy power creation as described in claim 185 wherein said step of substantially power isomorphically converting said DC photovoltaic input into a converted DC photovoltaic output comprises the step of substantially power isomorphically converting a photovoltaic circuitry impedance.
- 25 187. A method of solar energy power creation as described in claim 186 wherein said step of converting said DC photovoltaic input into a converted DC photovoltaic output comprises the step of alternately switching between a first modality of photovoltaic

DC-DC power conversion and a second modality of photovoltaic DC-DC power conversion.

188. A method of solar energy power creation as described in claim 187 wherein said step of substantially power isomorphically converting said DC photovoltaic input comprises the step of static switch converting said DC photovoltaic input.
189. A method of solar energy power creation as described in claim 186 or 187 wherein said step of substantially power isomorphically converting comprises the step of substantially power isomorphically converting selected from a group consisting of:
- solar power converting with at least about 97% efficiency,
 - solar power converting with at least about 97.5% efficiency,
 - solar power converting with at least about 98% efficiency,
 - solar power converting with at least about 98.5% efficiency,
 - solar power converting with at least about 97% up to about 99.2% efficiency,
 - solar power converting with at least about 97.5% up to about 99.2% efficiency,
 - solar power converting with at least about 98% up to about 99.2% efficiency,
 - solar power converting with at least about 98.5% up to about 99.2% efficiency,
 - solar power converting with at least about 97% up to about wire transmission loss efficiency,
 - solar power converting with at least about 97.5% up to about wire transmission loss efficiency,
 - solar power converting with at least about 98% up to about wire transmission loss efficiency, and
 - solar power converting with at least about 98.5% up to about wire transmission loss efficiency.
- 190 A method of solar energy power creation as described in claim 105, 115, or

123 wherein said step of converting said DC photovoltaic input into a converted DC photovoltaic output comprises the step of maximum photovoltaic power point converting a DC photovoltaic input into a converted DC photovoltaic output.

- 5 191. A method of solar energy power creation as described in claim 190 wherein said step of maximum photovoltaic power point converting a DC photovoltaic input into a converted DC photovoltaic output comprises the step of
- calculating a photovoltaic power parameter; and
 - responding to said photovoltaic power parameter in accomplishing said step of
- 10 maximum photovoltaic power point converting a DC photovoltaic input into a converted DC photovoltaic output.
192. A method of solar energy power creation as described in claim 191 wherein said step of calculating a photovoltaic power parameter comprises the step of calculating a
- 15 photovoltaic multiplicative power parameter.
193. A method of solar energy power creation as described in claim 190 wherein said step of converting said DC photovoltaic input into a converted DC photovoltaic output comprises the step of causing a converted DC photovoltaic output voltage, and wherein
- 20 said step of maximum photovoltaic power point converting a DC photovoltaic input into a converted DC photovoltaic output comprises the step of independently maximum photovoltaic power point converting a DC photovoltaic input into a converted DC photovoltaic output in a manner that is independent of said converted DC photovoltaic output voltage.
- 25
194. A method of solar energy power creation as described in claim 193 wherein said step of creating a DC photovoltaic output from at least one solar energy source comprises the

step of combining outputs from a plurality of electrically connected solar panels, comprises the step of and wherein said step of converting said DC photovoltaic input comprises the step of physically integrally converting said DC photovoltaic input for individual solar panels.

5

195. A method of solar energy power creation as described in claim 193 wherein said step of converting a DC photovoltaic input into a converted DC photovoltaic output comprises the step of insolation variably adaptively converting said DC photovoltaic input into said converted DC photovoltaic output.

10

196. A method of solar energy power creation as described in claim 105, 115, or 123 wherein said step of converting said DC photovoltaic input comprises the step of duty cycle switching a photovoltaic DC-DC converter.

15

197. A method of solar energy power creation as described in claim 196 wherein said step of duty cycle switching a photovoltaic DC-DC converter comprises the step of impedance transformation duty cycle switching a photovoltaic DC-DC converter.

20

198. A method of solar energy power creation as described in claim 197 wherein said step of impedance transformation duty cycle switching a photovoltaic DC-DC converter comprises a step selected from a group consisting of:

25

- threshold determinatively duty cycle switching a photovoltaic DC-DC converter;
- frequency altered switching a photovoltaic DC-DC converter;
- burst mode switching a photovoltaic DC-DC converter; and
- all permutations and combinations of each of the above.

199. A method of solar energy power creation as described in claim 196 wherein said step of duty cycle switching a photovoltaic DC-DC converter comprises the steps of:

- threshold determinatively activating a switching mode of a photovoltaic DC-DC converter; and
- 5 - threshold determinatively deactivating a switching mode of a photovoltaic DC-DC converter.

200. A method of solar energy power creation as described in claim 196 wherein

10 said step of duty cycle switching a photovoltaic DC-DC converter comprises a step selected from a group consisting of:

- solar energy source open circuit cold voltage determinatively duty cycle switching a photovoltaic DC-DC converter;
- solar energy source maximum power point hot voltage determinatively duty cycle switching a photovoltaic DC-DC converter;
- 15 - maximum photovoltaic voltage determinatively duty cycle switching a photovoltaic DC-DC converter;
- photovoltaic inverter maximum current determinatively duty cycle switching a photovoltaic DC-DC converter; and
- all permutations and combinations of each of the above.

20 201. A method of solar energy power creation as described in claim 196 wherein

said step of duty cycle switching a photovoltaic DC-DC converter comprises the step of maximum photovoltaic power point converting a DC photovoltaic input into a converted DC photovoltaic output.

25 202. A method of solar energy power creation as described in claim 201 wherein said step of duty cycle switching a photovoltaic DC-DC converter comprises the step of photovoltaic

inverter maximum voltage determinatively duty cycle switching a photovoltaic DC-DC converter.

203. A method of solar energy power creation as described in claim 201 or 202 wherein said
5 step of maximum photovoltaic power point converting a DC photovoltaic input into a converted DC photovoltaic output comprises the step of maximum photovoltaic power point duty cycle switching a photovoltaic DC-DC converter.
204. A method of solar energy power creation as described in claim 201 through 203 wherein
10 said step of duty cycle switching a photovoltaic DC-DC converter comprises the step of photovoltaic inverter maximum current determinatively duty cycle switching a photovoltaic DC-DC converter.
205. A method of solar energy power creation as described in claim 201 through 204 wherein
15 said step of duty cycle switching a photovoltaic DC-DC converter comprises the step of softly transitioning a photovoltaic DC-DC converter.
206. A method of solar energy power creation as described in claim 205 wherein said step of softly transitioning a photovoltaic DC-DC converter comprises the step of establishing a maximum photovoltaic output voltage-photovoltaic output current proportional duty cycle.
207. A method of solar energy power creation as described in claim 201 through 206 wherein
20 said step of duty cycle switching a photovoltaic DC-DC converter comprises the step of transiently establishing opposing photovoltaic duty cycle switching modes in a photovoltaic DC-DC converter.
208. Methods substantially as described hereinbefore and with reference to any of the
25 accompanying examples
209. Apparatuses substantially as described hereinbefore and with reference to any of the accompanying examples

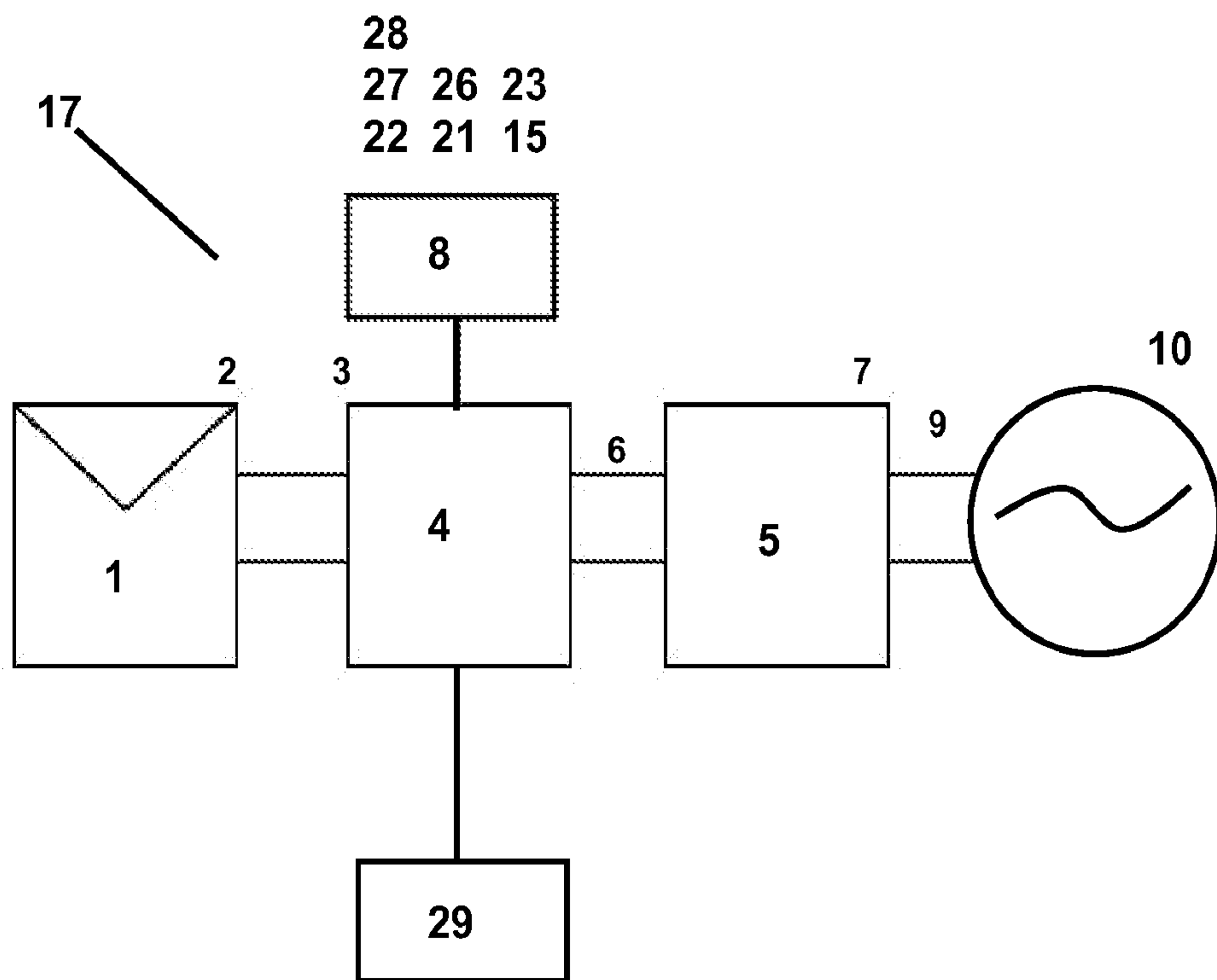


Fig. 1

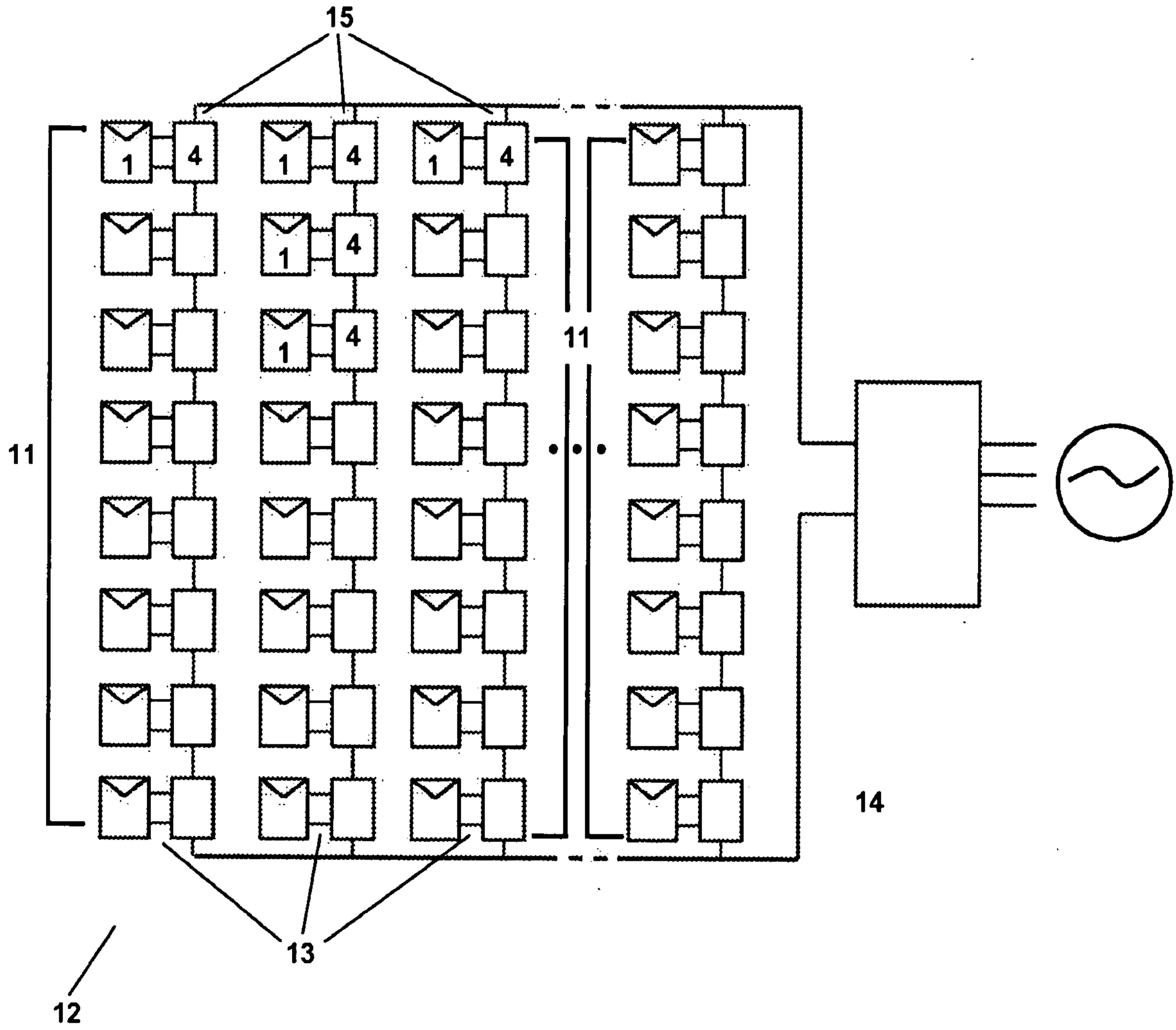


Fig. 2

AMENDED SHEET - IPEA/US

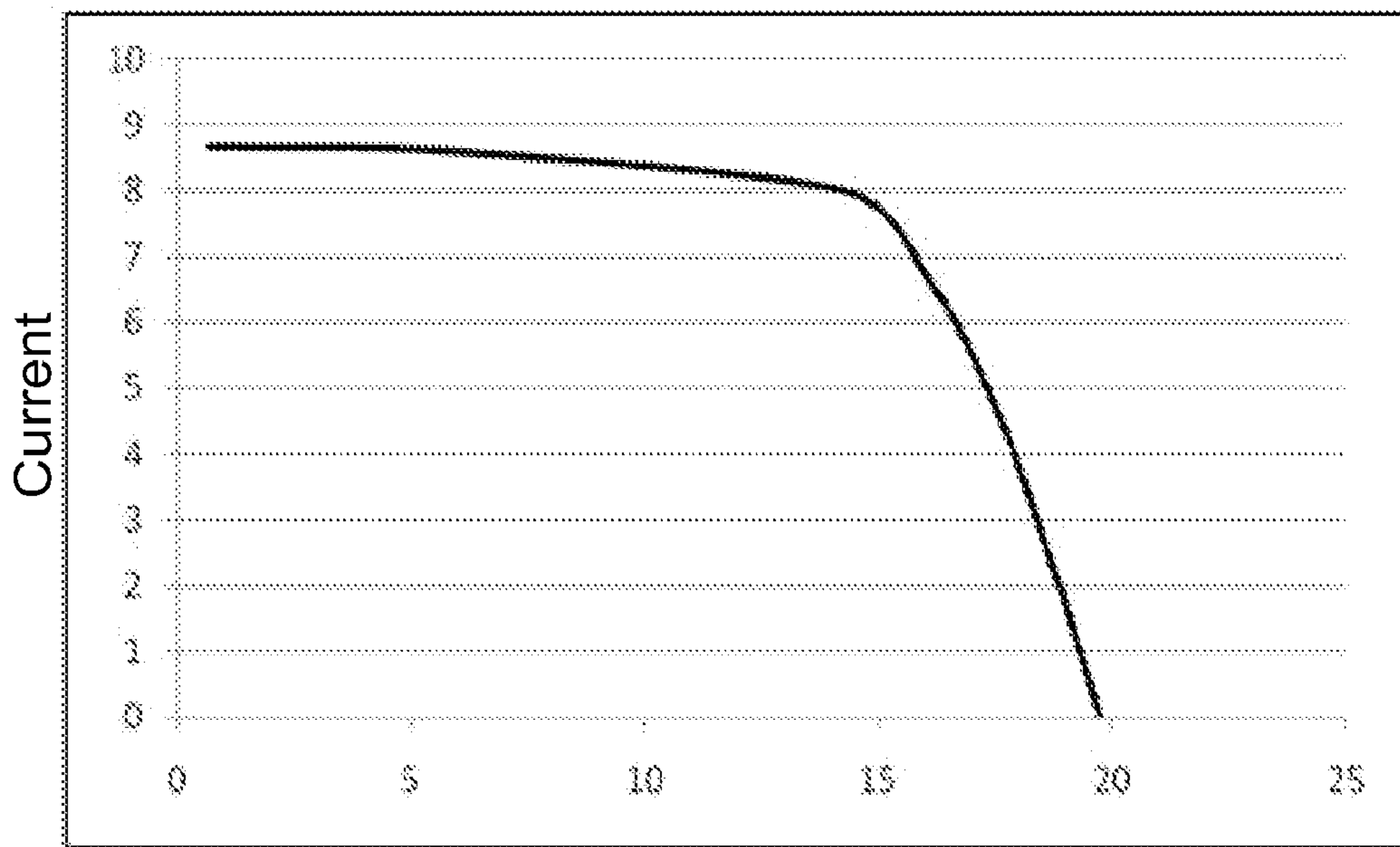


Fig. 3



Fig. 4

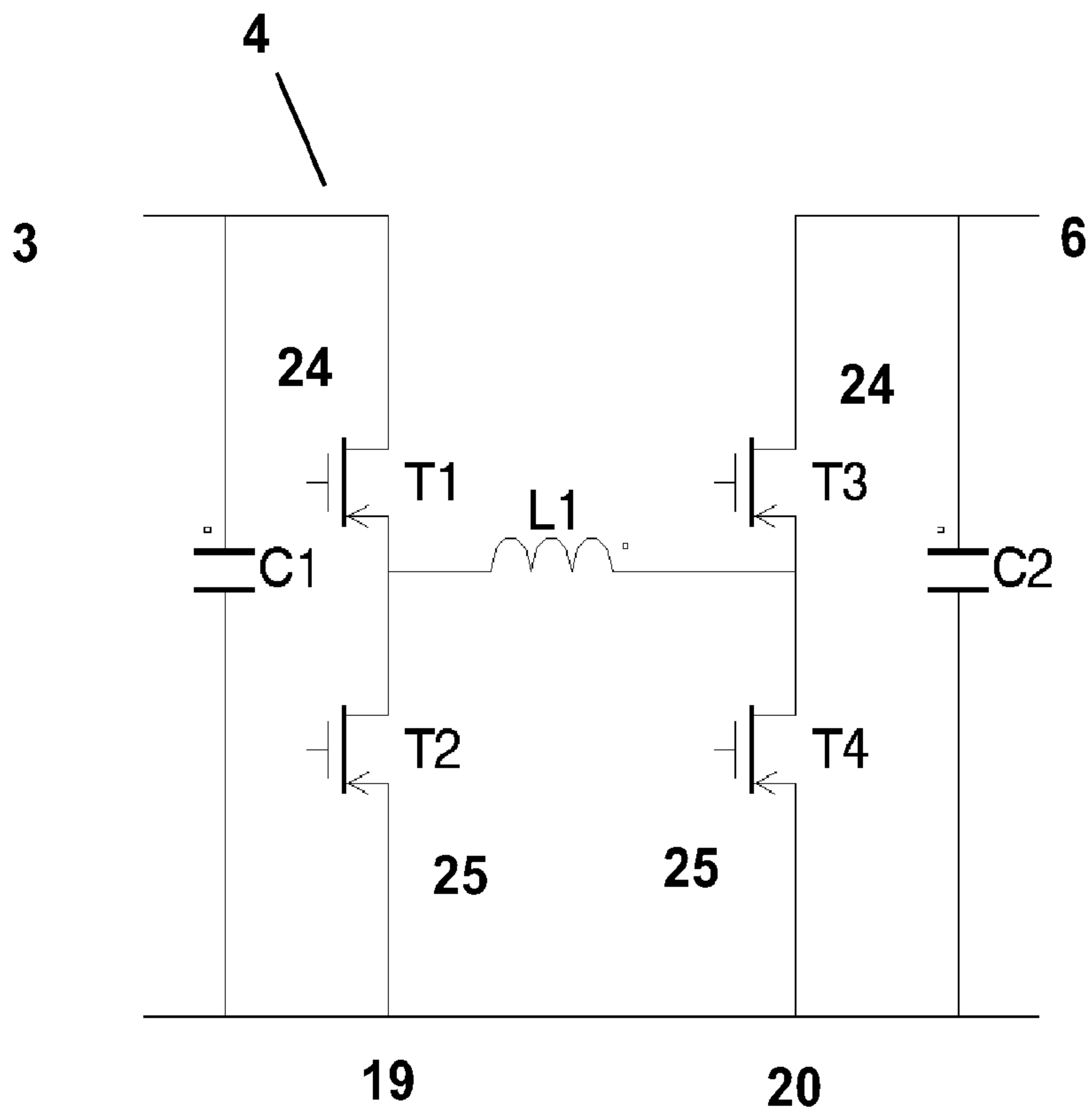


Fig. 5A

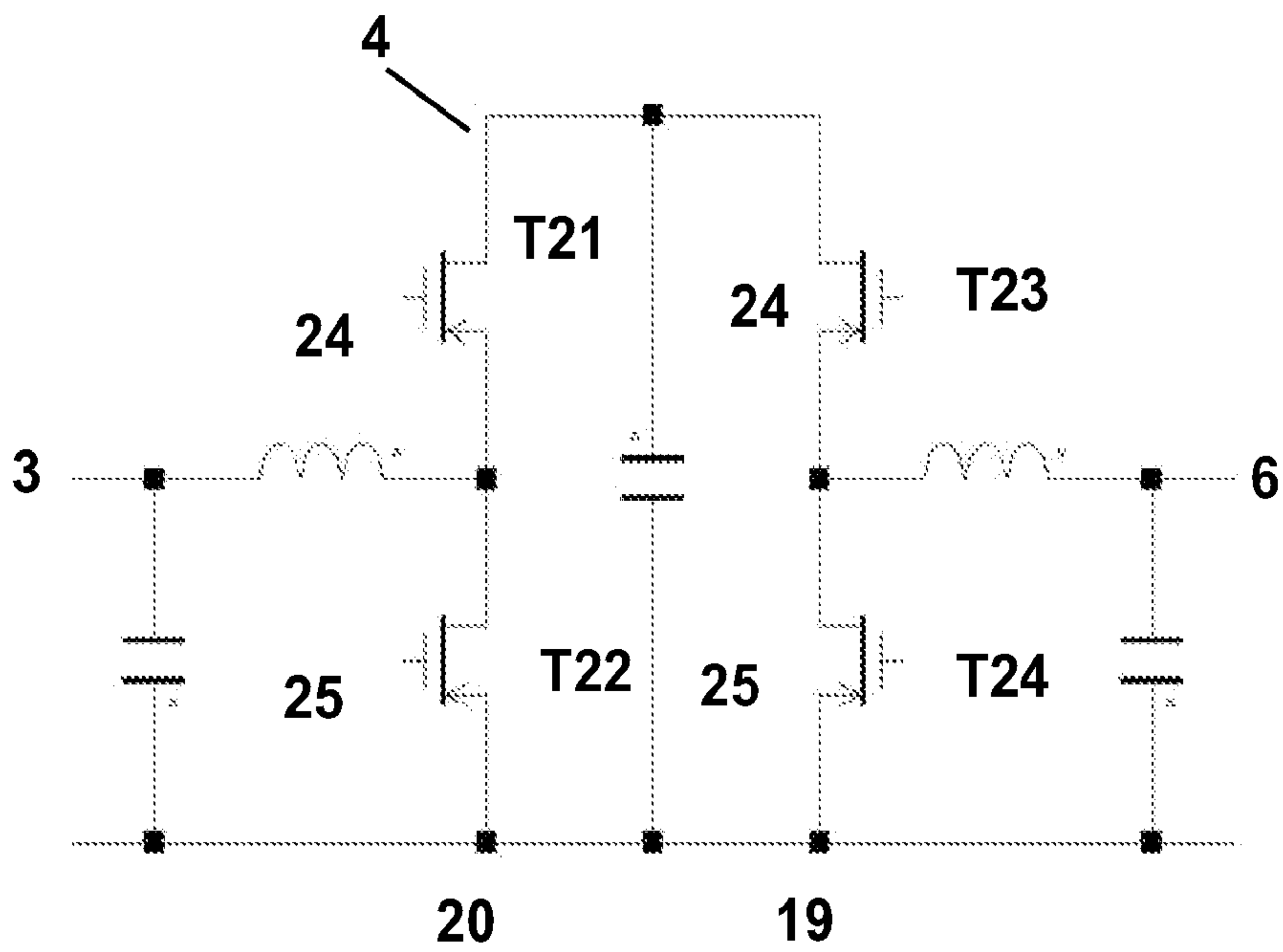


Fig. 5B

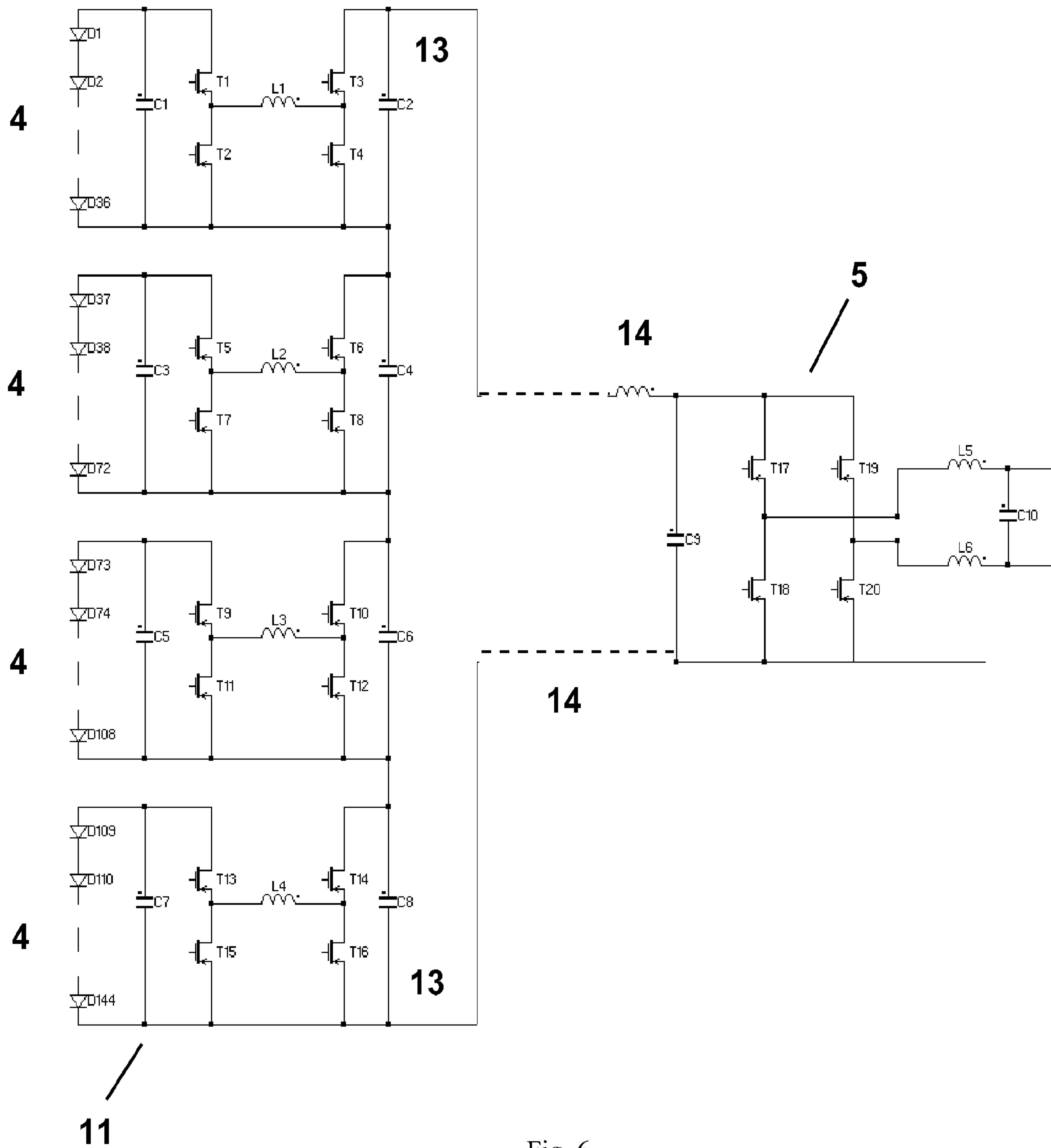


Fig. 6

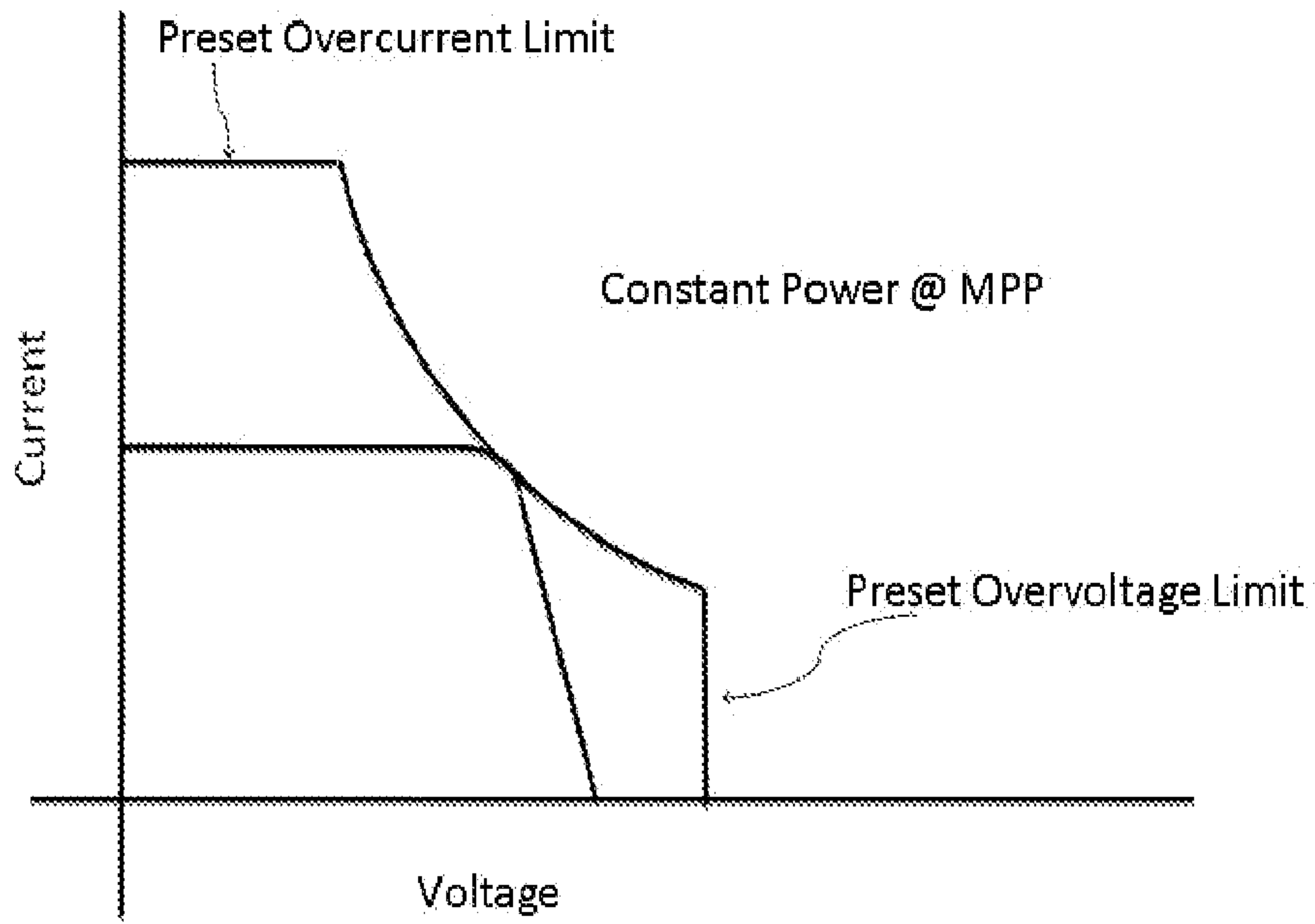


Fig. 7A

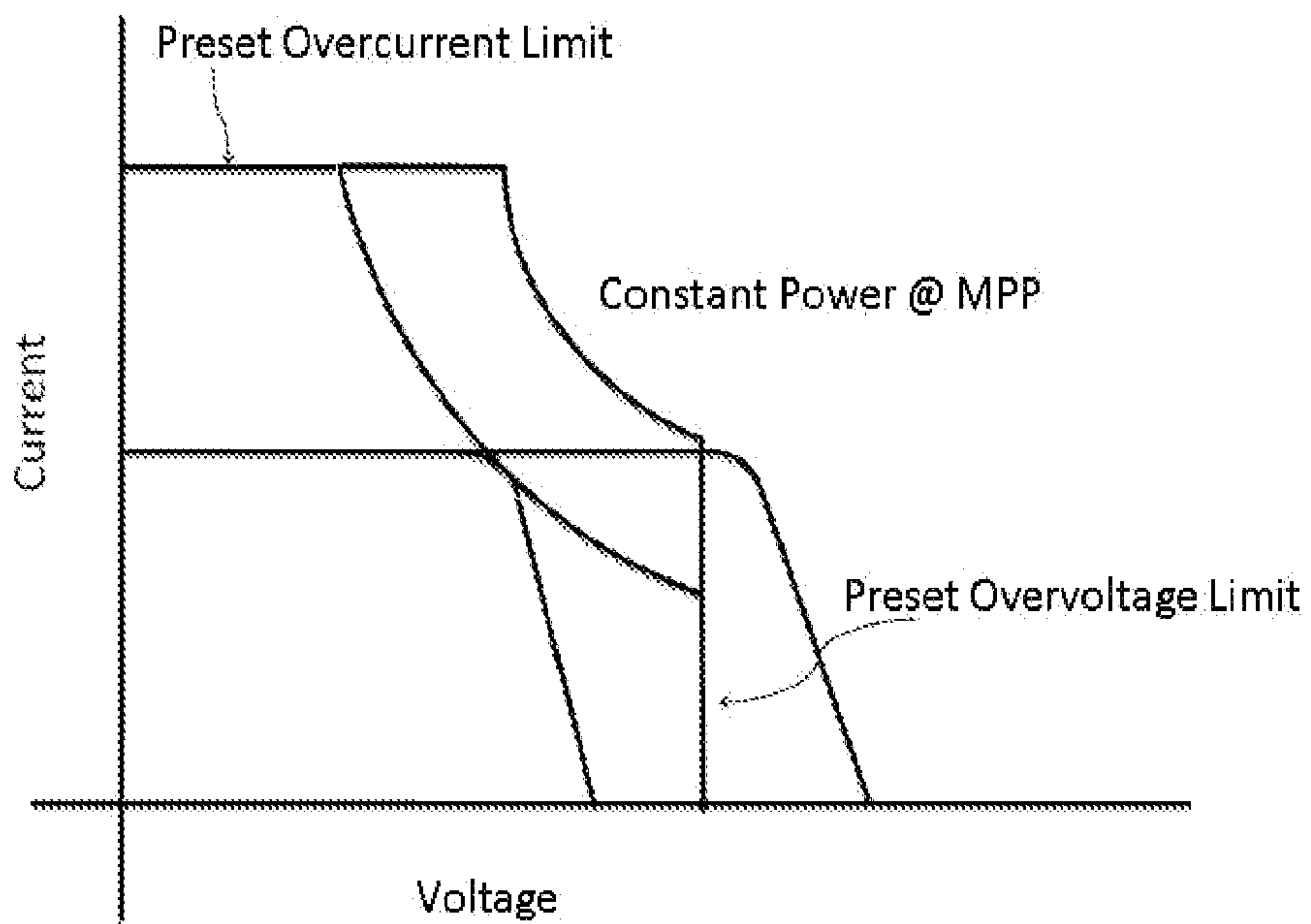


Fig. 7B

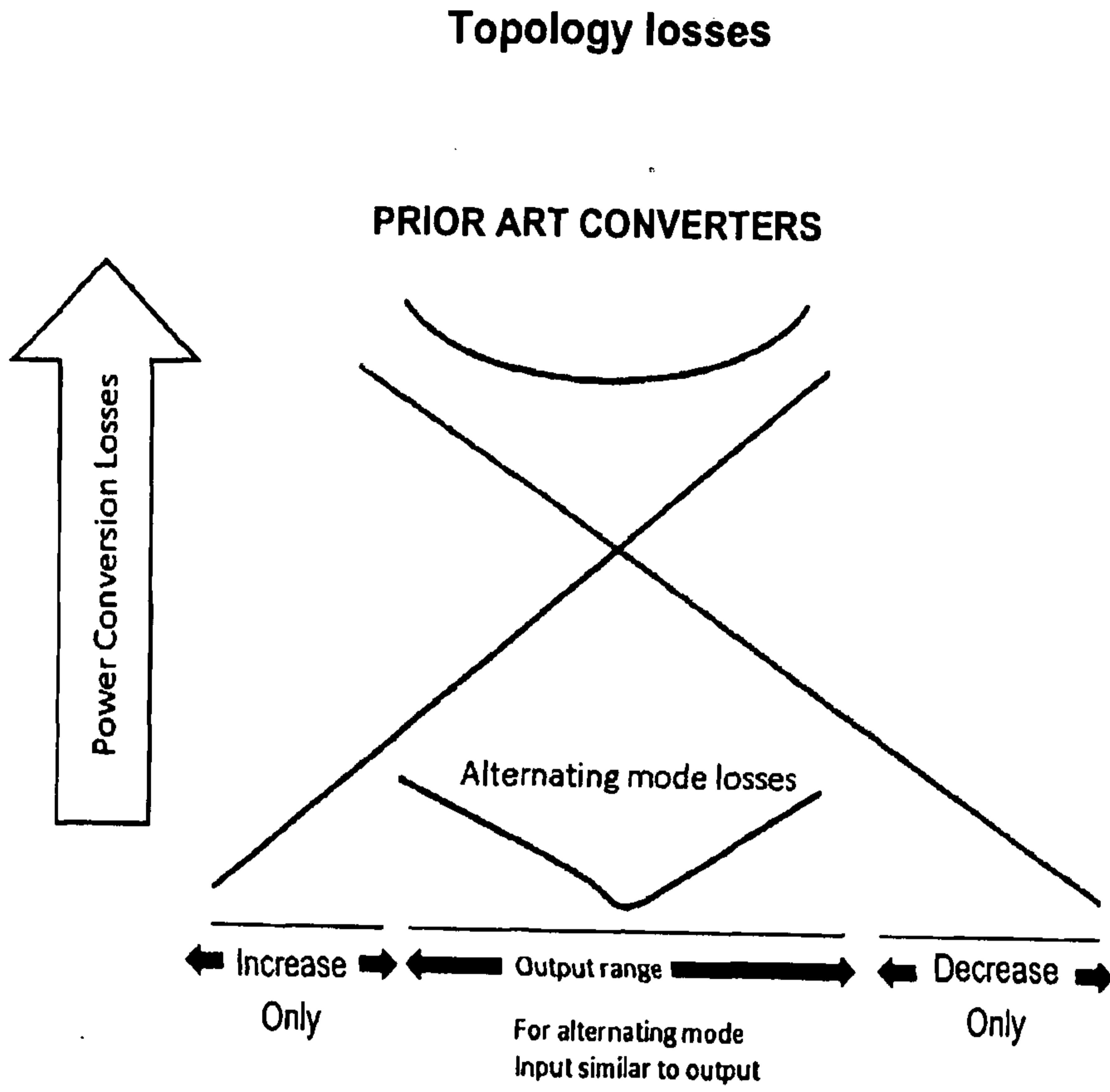


Fig. 8

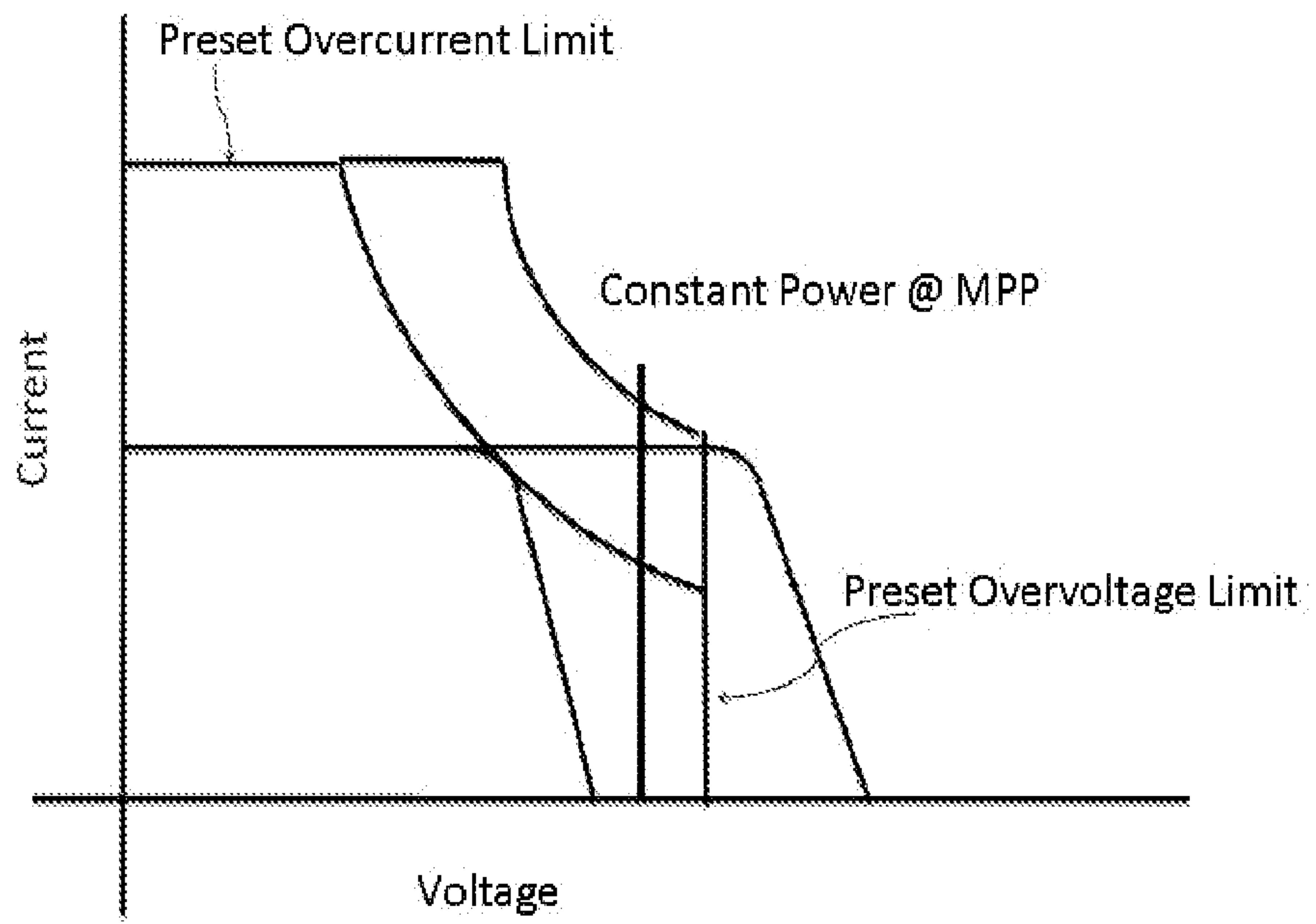


Fig. 9

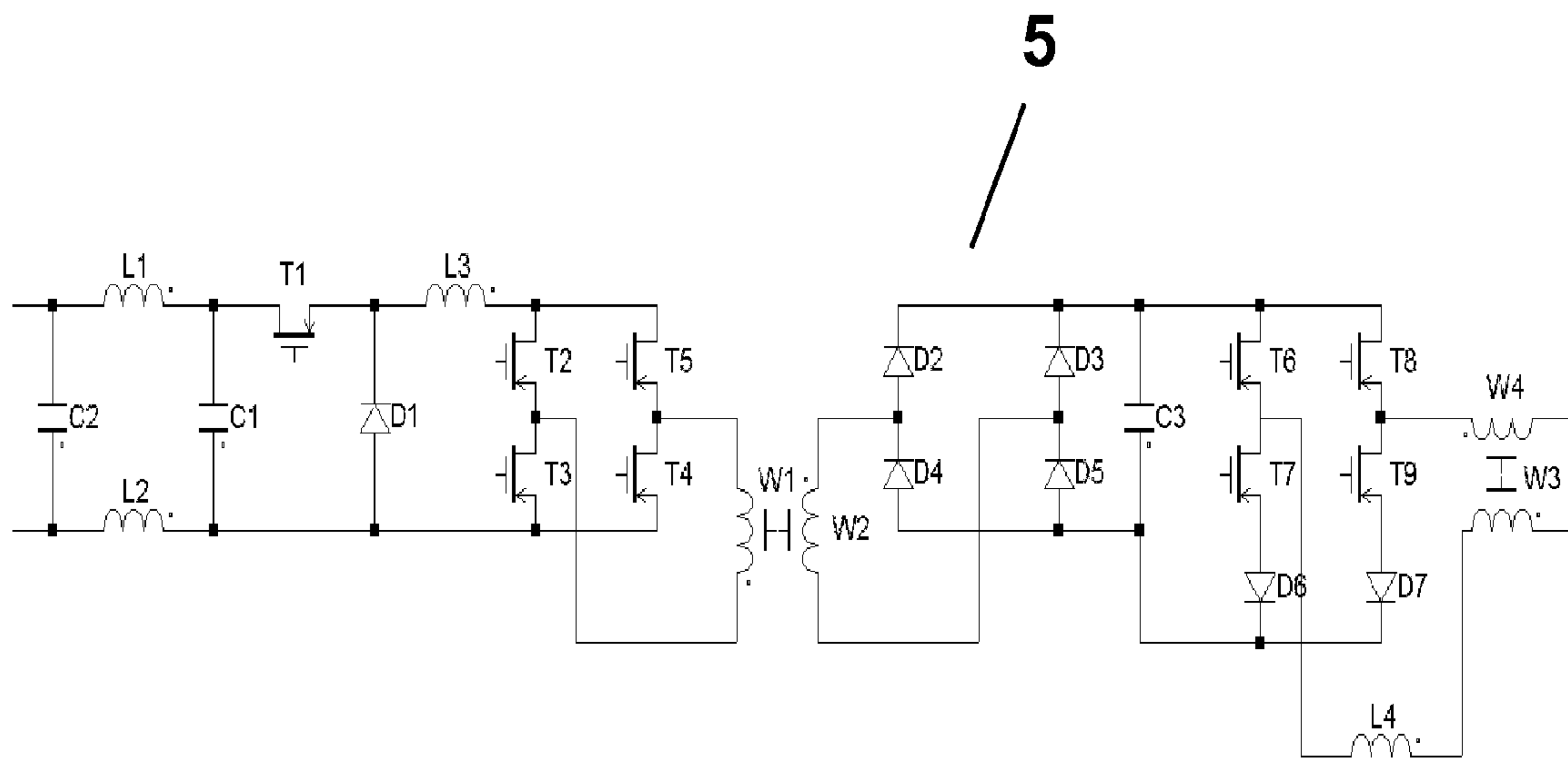


Fig. 10

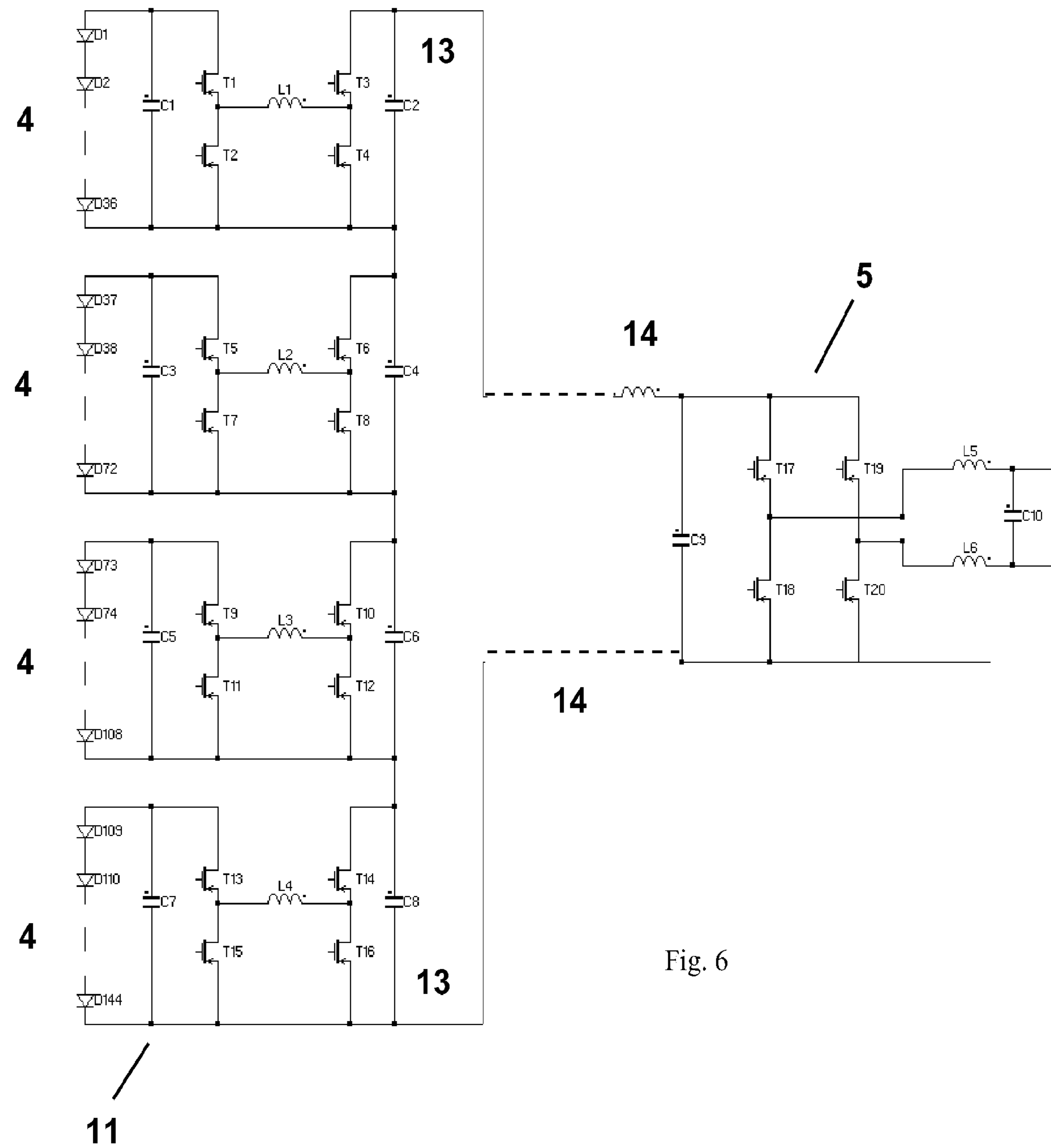


Fig. 6