



US00D799780S

(12) **United States Design Patent**
Meng et al.

(10) **Patent No.:** **US D799,780 S**
(45) **Date of Patent:** **** Oct. 10, 2017**

- (54) **PALLET TRUCK**
- (71) Applicant: **Big Lift, LLC**, Lombard, IL (US)
- (72) Inventors: **Feiquan Meng**, Hangzhou (CN);
Yuanwei Liu, Hangzhou (CN); **Jin Hui He**, Hangzhou (CN)
- (73) Assignee: **BIG LIFT, LLC**, Lombard, IL (US)
- (**) Term: **15 Years**
- (21) Appl. No.: **29/570,094**
- (22) Filed: **Jul. 5, 2016**

| | | |
|-------------|---------|----------------|
| 4,047,698 A | 9/1977 | Ellis |
| 4,065,012 A | 12/1977 | Rocco |
| 4,096,961 A | 6/1978 | Rocco |
| 4,103,795 A | 8/1978 | Miller |
| 4,287,959 A | 9/1981 | Inman |
| 4,577,463 A | 3/1986 | Kedem |
| 4,615,533 A | 10/1986 | Sewell |
| 5,113,960 A | 5/1992 | Prinz |
| D343,935 S | 2/1994 | Drobeck et al. |
| 5,618,154 A | 4/1997 | Irons et al. |
| 5,752,584 A | 5/1998 | Magolo et al. |
| D408,958 S | 4/1999 | Schneider |

(Continued)

- Related U.S. Application Data**
- (62) Division of application No. 29/516,763, filed on Feb. 5, 2015, now Pat. No. Des. 767,236.
 - (51) **LOC (10) Cl.** **12-05**
 - (52) **U.S. Cl.** **D34/34; D34/28**
 - (58) **Field of Classification Search**
USPC D34/34; 187/222, 234, 226, 238;
414/631, 575, 592; 180/89.12, 89.13,
180/89.17
CPC .. B66F 16/003; B66F 9/24; B66F 9/08; B66F
9/122; B66F 9/146; B66F 9/0755
See application file for complete search history.

(56) **References Cited**
U.S. PATENT DOCUMENTS

| | | |
|-------------|---------|----------------|
| D136,279 S | 8/1943 | Holland et al. |
| 2,592,091 A | 4/1952 | Weaver |
| 3,043,388 A | 7/1962 | Hansen |
| 3,249,170 A | 5/1966 | Quayle |
| 3,295,881 A | 1/1967 | Worthington |
| 3,601,423 A | 8/1971 | Goodacre |
| D222,670 S | 11/1971 | Goodacre |
| 3,854,748 A | 12/1974 | Goodacre |
| D239,165 S | 3/1976 | Mono |

OTHER PUBLICATIONS

Brochure for "PDS Power Drive Straddle Trucks" issued by Blue Giant®, Sep. 1, 2010 (2 pages).

(Continued)

Primary Examiner — Cynthia Ramirez
(74) *Attorney, Agent, or Firm* — Cook Alex Ltd.

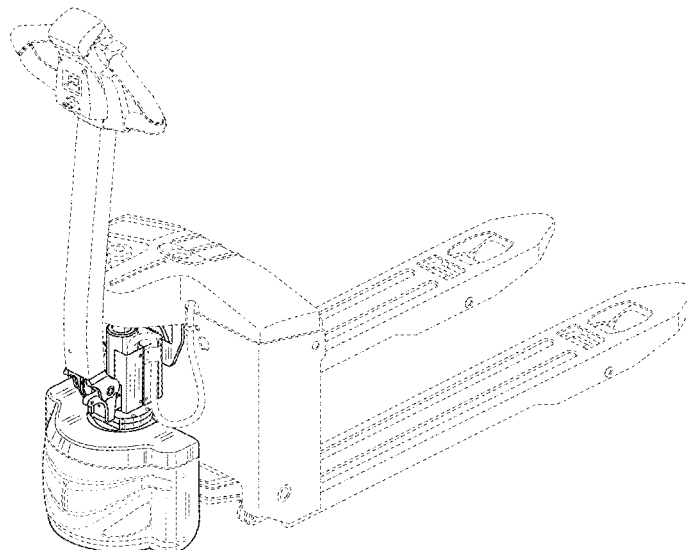
(57) **CLAIM**

We claim the ornamental design for a pallet truck, as shown and described.

DESCRIPTION

FIG. 1 is a rear perspective view of a pallet truck according to our new design;
FIG. 2 is a front perspective view thereof;
FIG. 3 is a rear elevational view thereof;
FIG. 4 is a right side elevational view thereof;
FIG. 5 is a front elevational view thereof;
FIG. 6 is a left side elevational view thereof;
FIG. 7 is a top plan view thereof; and,
FIG. 8 is a bottom plan view thereof.
The broken lines shown in the figures are included for the purpose of illustrating portions of the pallet truck and form no part of the claim design.

1 Claim, 5 Drawing Sheets



(56)

References Cited

U.S. PATENT DOCUMENTS

| | | | | |
|-----------|-----|---------|------------------|--------|
| 6,125,971 | A | 10/2000 | Niebuhr et al. | |
| 6,260,646 | B1 | 7/2001 | Fernandez et al. | |
| D447,612 | S | 9/2001 | Niebuhr | |
| D464,785 | S | 10/2002 | Gallagher | |
| 7,040,427 | B2 | 5/2006 | Toomey | |
| D530,878 | S | 10/2006 | Ruppert et al. | |
| D542,004 | S | 5/2007 | Righi | |
| D559,498 | S | 1/2008 | Ruppert et al. | |
| D562,525 | S | 2/2008 | Graf et al. | |
| D565,270 | S | 3/2008 | Ruppert et al. | |
| D583,124 | S | 12/2008 | Stark | |
| 7,744,335 | B1 | 6/2010 | Cleary | |
| D655,064 | S | 2/2012 | Knier | |
| 8,230,976 | B2 | 7/2012 | Baldini | |
| 8,246,008 | B2 | 8/2012 | De Jong et al. | |
| D674,982 | S | 1/2013 | Babel et al. | |
| 8,360,443 | B2 | 1/2013 | Ellington | |
| 8,540,213 | B2 | 9/2013 | Feiquan et al. | |
| D692,202 | S | 10/2013 | Feiquan et al. | |
| D692,203 | S | 10/2013 | Feiquan et al. | |
| D692,204 | S | 10/2013 | Feiquan et al. | |
| D765,939 | S * | 9/2016 | Liu | D34/34 |
| D767,236 | S * | 9/2016 | Meng | D34/34 |
| D767,847 | S * | 9/2016 | Liu | D34/34 |
| D770,719 | S * | 11/2016 | He | D34/34 |

| | | | | |
|--------------|-----|---------|------------------|--------|
| D770,720 | S * | 11/2016 | He | D34/34 |
| 2005/0036880 | A1 | 2/2005 | Magolo et al. | |
| 2006/0181039 | A1 | 8/2006 | Fridlington, Jr. | |
| 2009/0260923 | A1 | 10/2009 | Baldini | |

OTHER PUBLICATIONS

Website for Shanghai Noblilift Co. Ltd. Guangzhou Subsidiary “Semi-electric Pallet Truck Spt” <http://gdnoblift.en.busytrade.com/products/info/1904267/Semi-electric-Pallet-Truck-Spt.html>, accessed Jan. 13, 2012, (4 pages).

Website for Stars for “Electric Vehicle—Electric Pallet Truck,” <http://www.starstw.com/news/stars-electric-pallet-truck.html>, accessed Jan. 13, 2012 (1 page).

Website for Cherry’s Industrial Equipment for “SPT15—Semi Electric Pallet Truck” <http://www.pallettruck.com/spt15.html>, accessed Jan. 17, 2012 (1 page).

Accepted as Prior Art E-P Equipment Co., Ltd.—Maximin Electric Pallet Truck EPT20-15ET photographs (1 page).

Brochure for “Walkie Pallet Trucks 4,000-5,000 lbs.”, Model MPB040-E issued by Yale Materials Handling Corporation, 2006, (14 pages).

Accepted as Prior Art Three (3) color Photographs of the “Walkie Pallet Trucks 4,000-5,000 lbs.”, Model MPB040-E by Yale Materials Handling Corporation.

* cited by examiner

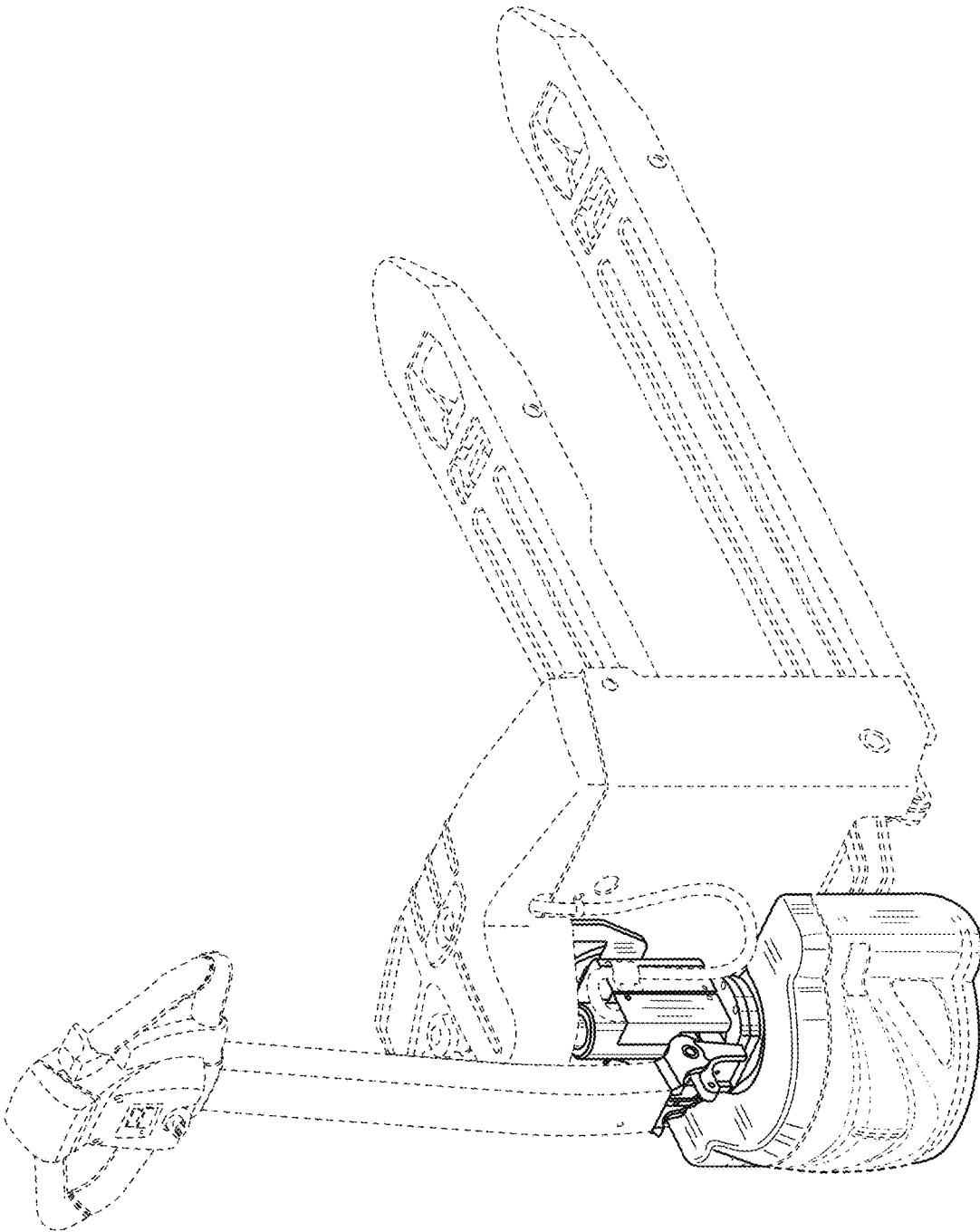


FIG. 1

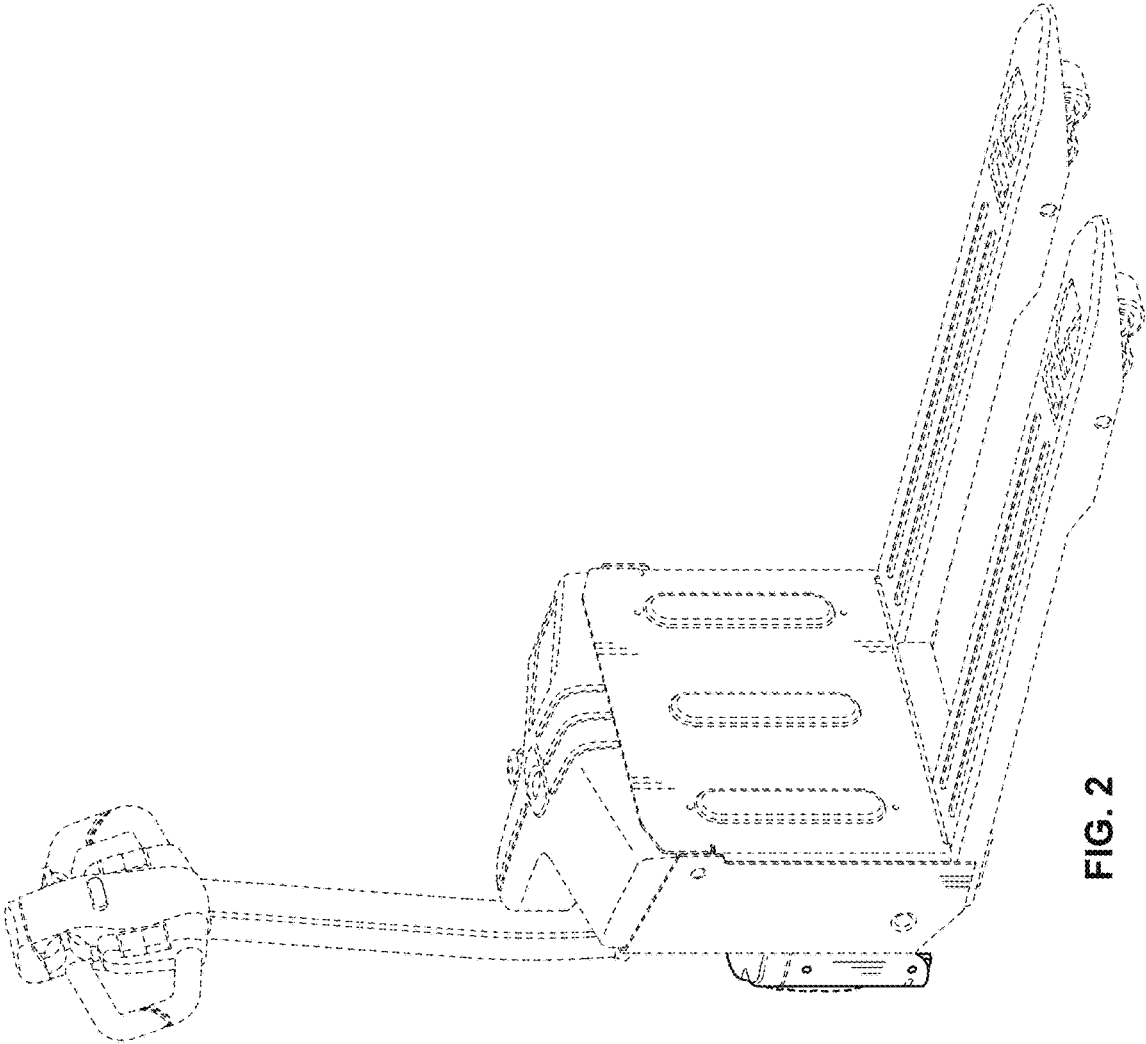


FIG. 2

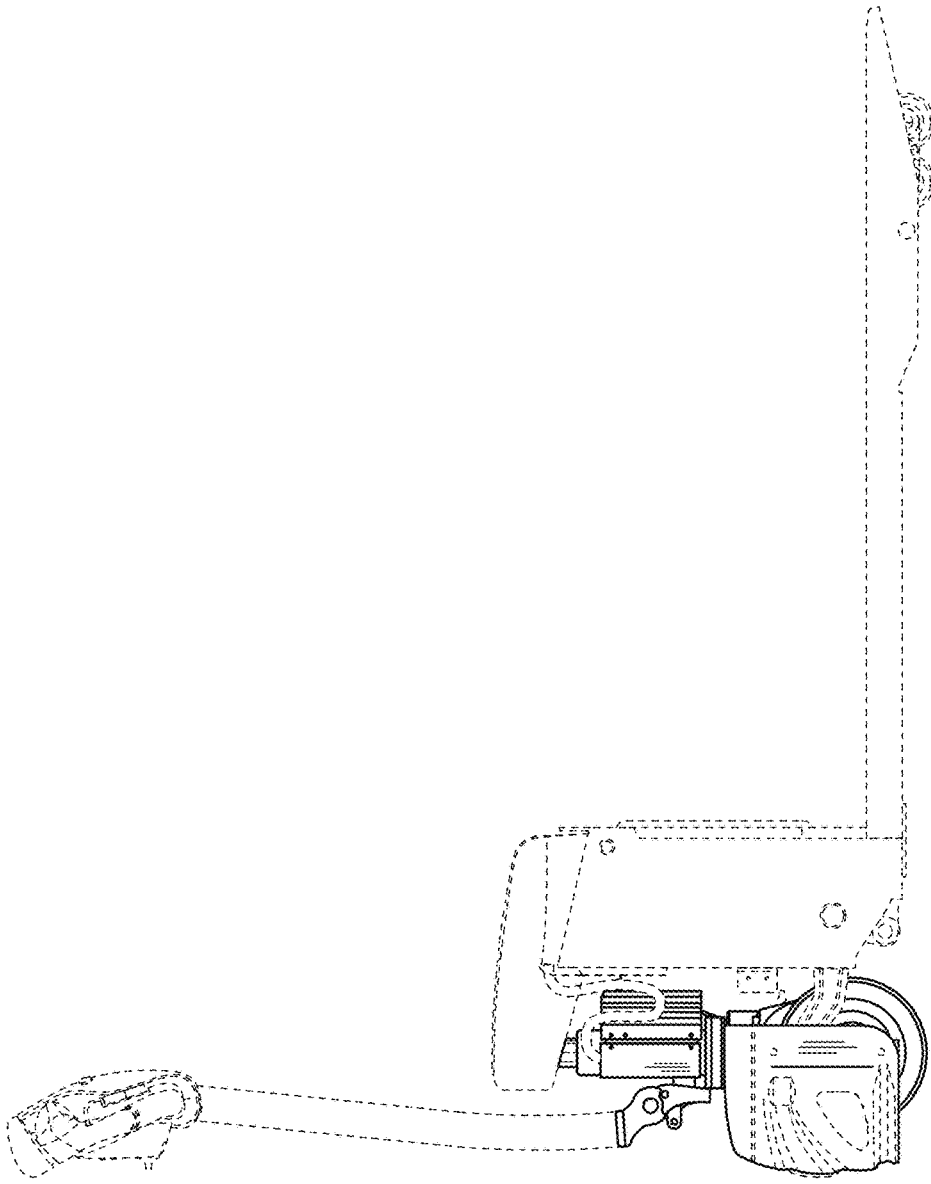


FIG. 4

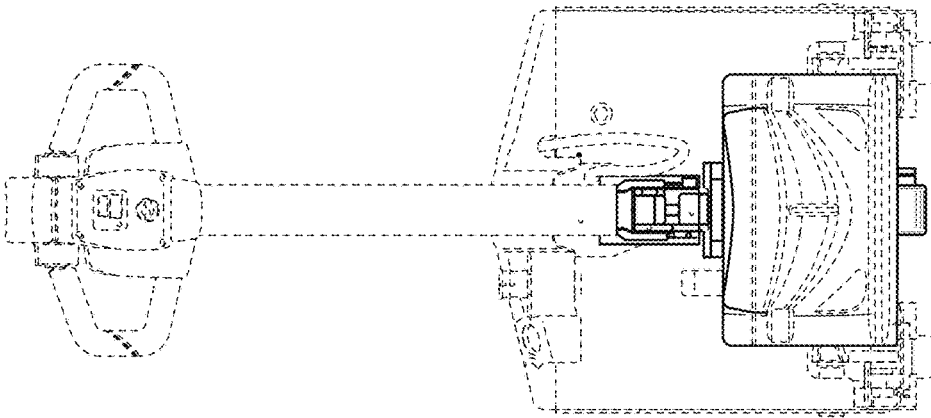


FIG. 3

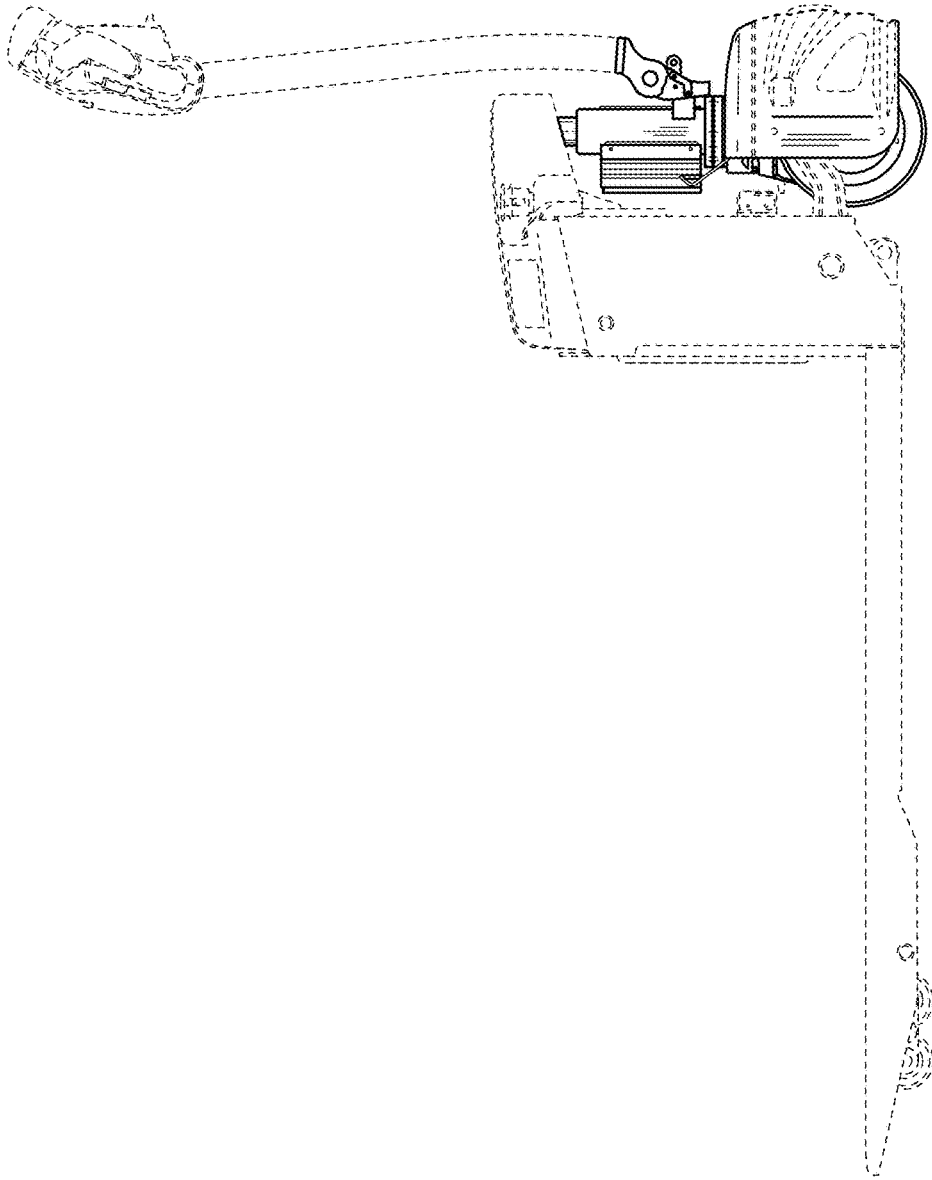


FIG. 6

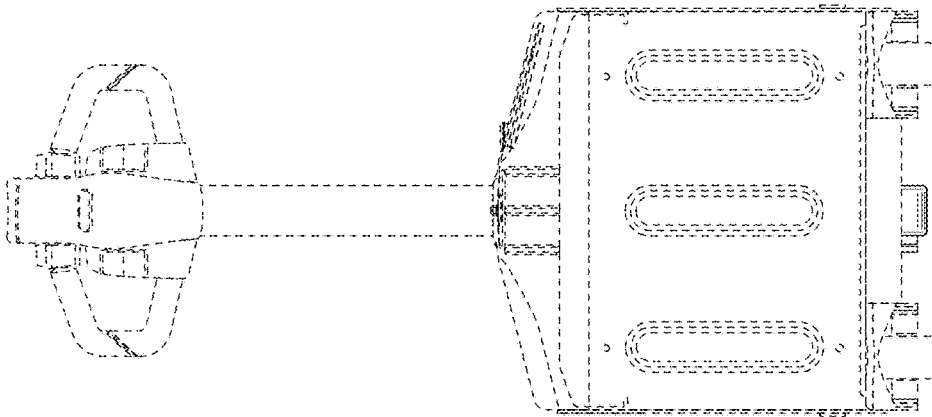


FIG. 5

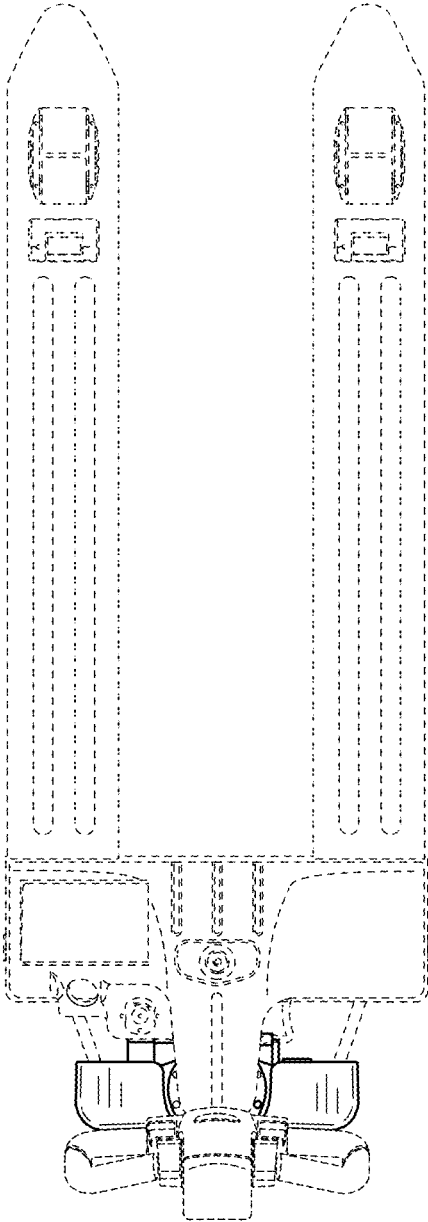


FIG. 7



FIG. 8