



US00D388342S

United States Patent [19]
Hughins et al.

[11] **Patent Number:** **Des. 388,342**
[45] **Date of Patent:** ****Dec. 30, 1997**

[54] **COMBINED SCOREBOARD AND INTERCHANGEABLE INDICIA**
[76] **Inventors:** **B. Wayne Hughins**, 564 Eastbrook Dr., Birmingham, Ala. 35215; **D. C. Thrasher**, P.O. Box 156, Chelsea, Ala. 35043; **C. Mark Todd**, 729 29th St. S., Birmingham, Ala. 35233

D. 278,725 5/1985 Caroselli D20/42
D. 340,080 10/1993 Sheilds D20/42
2,891,337 6/1959 Breslaw D20/18 X
4,461,107 7/1984 Grate 40/576

Primary Examiner—B. J. Bullock
Assistant Examiner—Cheri Cohen

[**] **Term:** **14 Years**

[57] **CLAIM**

The ornamental design for a combined scoreboard and interchangeable indicia, as shown and described.

[21] **Appl. No.:** **1,803**

DESCRIPTION

[22] **Filed:** **Nov. 23, 1992**

[51] **LOC (6) CL** **21-01**

[52] **U.S. Cl.** **D10/46.1**

[58] **Field of Search** **D10/46, 46.1;**
116/222, 224, 225; **D20/10, 18, 19, 40,**
42; **40/1, 576, 584, 611, 618**

FIG. 1 is a perspective view of a combined scoreboard and interchangeable indicia showing our new design, the broken lines are shown for illustrative purposes only and form no part of the claimed design;

FIG. 2 is a reduced front elevational view thereof;

FIG. 3 is a reduced right side elevational view thereof, the left side being a mirror image; and,

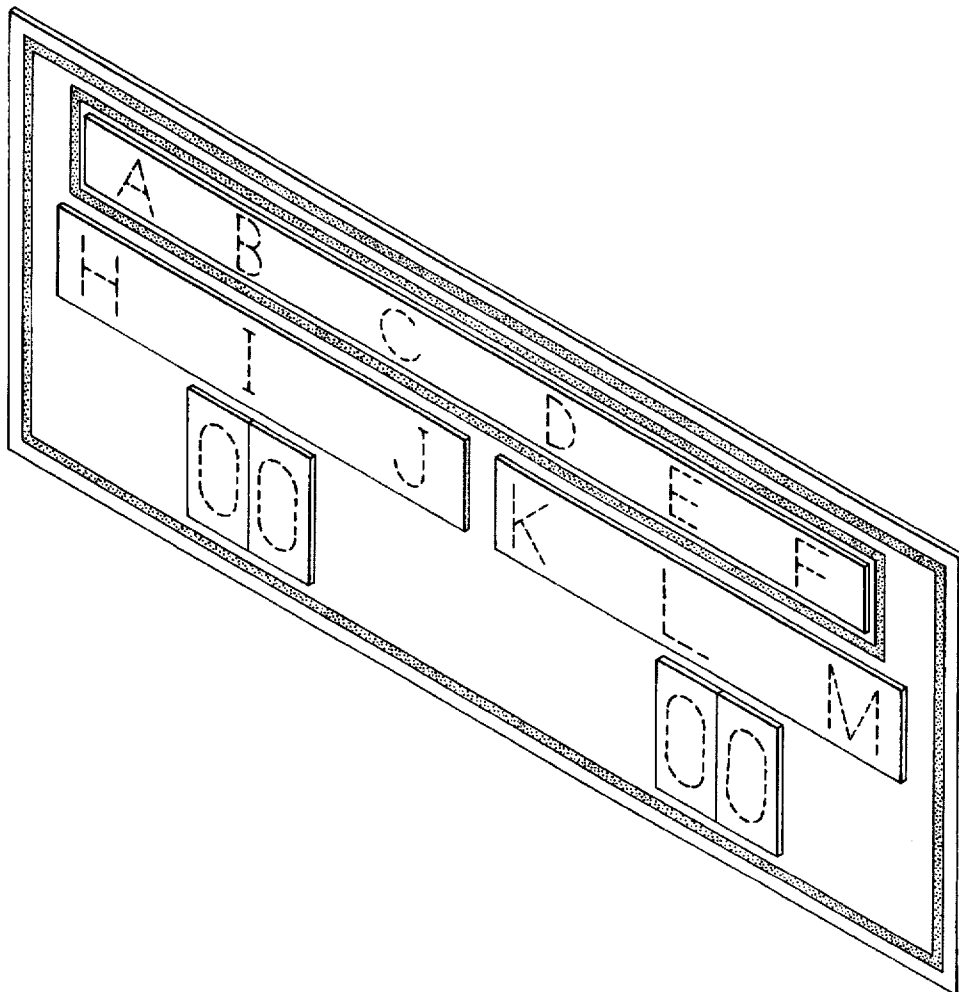
FIG. 4 is a reduced top plan view thereof.

[56] **References Cited**

U.S. PATENT DOCUMENTS

D. 165,155 11/1951 Hammond D20/42

1 Claim, 1 Drawing Sheet



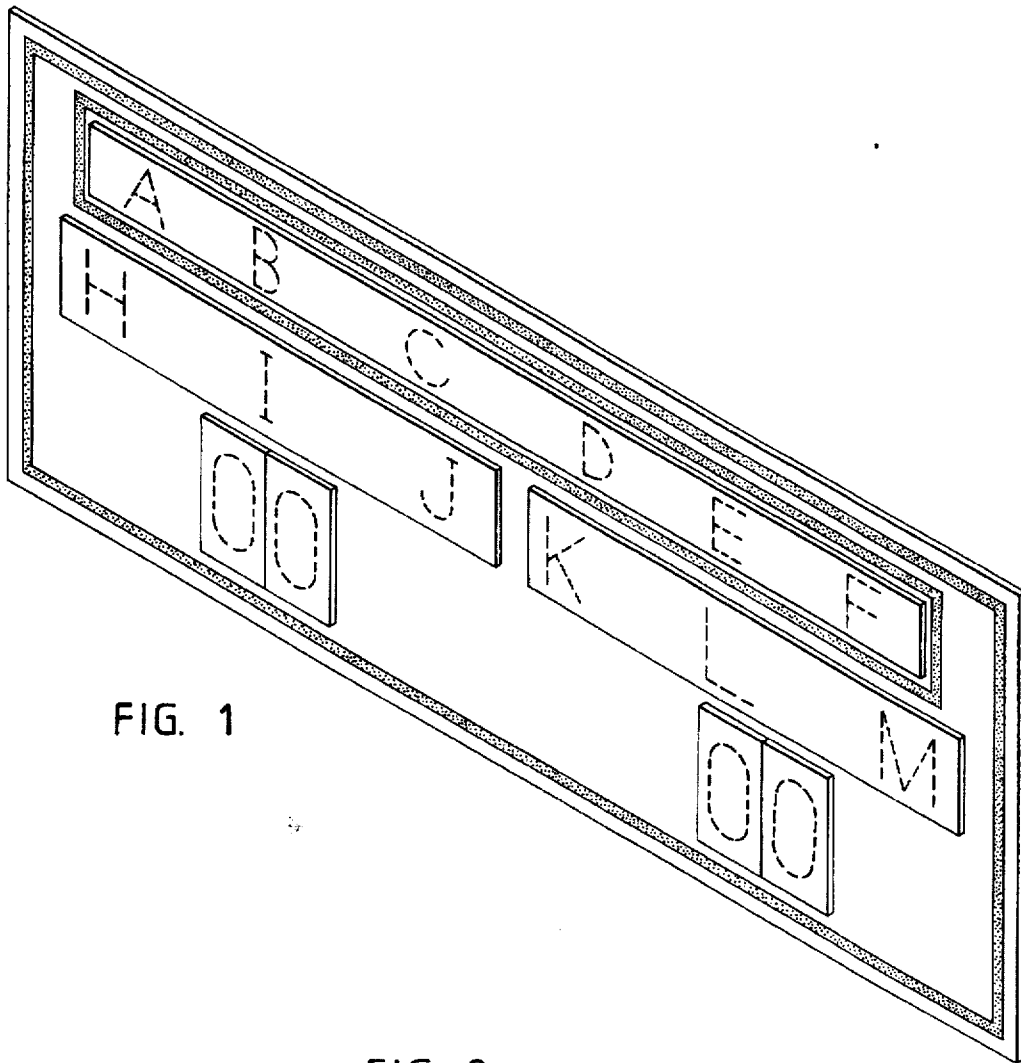


FIG. 1

FIG. 2

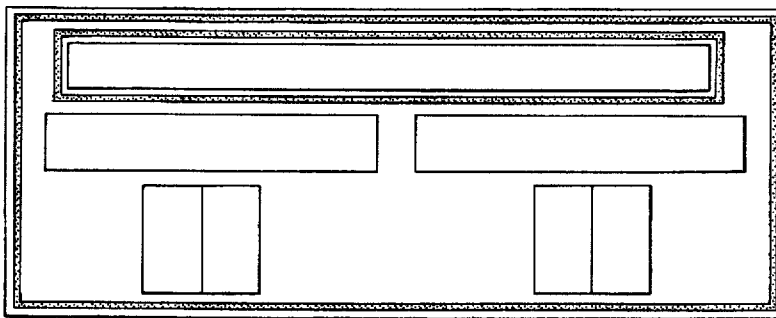


FIG. 3



FIG. 4