

(19) World Intellectual Property Organization
International Bureau



(43) International Publication Date
29 November 2007 (29.11.2007)

PCT

(10) International Publication Number
WO 2007/136796 A3

(51) International Patent Classification:
A61M 16/00 (2006.01)

(21) International Application Number:
PCT/US2007/012000

(22) International Filing Date: 18 May 2007 (18.05.2007)

(25) Filing Language: English

(26) Publication Language: English

(30) Priority Data:
11/437,208 19 May 2006 (19.05.2006) US

(71) Applicant (for all designated States except US): **RADLYN LLC** [US/US]; 905 Ohio Pike, Cincinnati, OH 45245 (US).

(72) Inventors; and

(75) Inventors/Applicants (for US only): **NELSON, Lindsey, A.** [US/US]; 4473 Bent Creek Drive, Cincinnati, OH 45244 (US). **MONGEON, Douglas, R.** [US/US]; 11201 South Meads Avenue, Orange, CA 92869 (US).

(74) Agent: **SARTAIN, Jeromye, V.**; 2424 S.E. Bristol Stret, Suite 300, Newport Beach, CA 92660 (US).

(81) Designated States (unless otherwise indicated, for every kind of national protection available): AE, AG, AL, AM, AT, AU, AZ, BA, BB, BG, BH, BR, BW, BY, BZ, CA, CH, CN, CO, CR, CU, CZ, DE, DK, DM, DZ, EC, EE, EG, ES,

FI, GB, GD, GE, GH, GM, GT, HN, HR, HU, ID, IL, IN, IS, JP, KE, KG, KM, KN, KP, KR, KZ, LA, LC, LK, LR, LS, LT, LU, LY, MA, MD, ME, MG, MK, MN, MW, MX, MY, MZ, NA, NG, NI, NO, NZ, OM, PG, PH, PL, PT, RO, RS, RU, SC, SD, SE, SG, SK, SL, SM, SV, SY, TJ, TM, TN, TR, TT, TZ, UA, UG, US, UZ, VC, VN, ZA, ZM, ZW.

(84) Designated States (unless otherwise indicated, for every kind of regional protection available): ARIPO (BW, GH, GM, KE, LS, MW, MZ, NA, SD, SL, SZ, TZ, UG, ZM, ZW), Eurasian (AM, AZ, BY, KG, KZ, MD, RU, TJ, TM), European (AT, BE, BG, CH, CY, CZ, DE, DK, EE, ES, FI, FR, GB, GR, HU, IE, IS, IT, LT, LU, LV, MC, MT, NL, PL, PT, RO, SE, SI, SK, TR), OAPI (BF, BJ, CF, CG, CI, CM, GA, GN, GQ, GW, ML, MR, NE, SN, TD, TG).

Declarations under Rule 4.17:

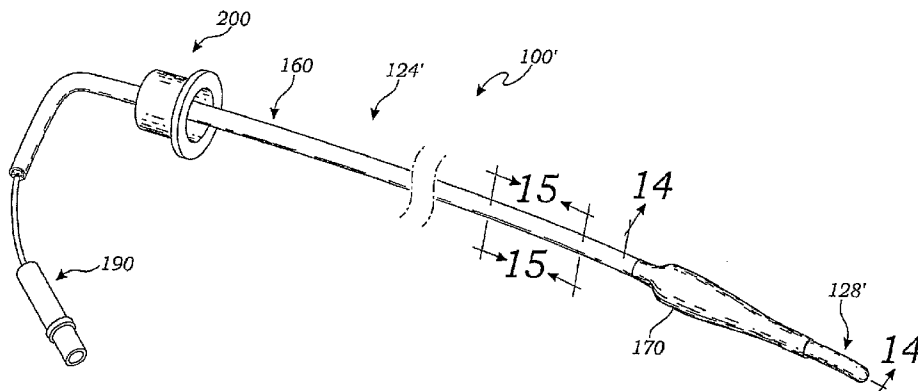
- as to applicant's entitlement to apply for and be granted a patent (Rule 4.17(ii))
- as to the applicant's entitlement to claim the priority of the earlier application (Rule 4.17(iii))
- of inventorship (Rule 4.17(iv))

Published:

- with international search report
- before the expiration of the time limit for amending the claims and to be republished in the event of receipt of amendments

(88) Date of publication of the international search report:
31 July 2008

(54) Title: INTUBATION DEVICE AND METHOD OF USE



(57) Abstract: The present invention is a method of performing endotracheal intubation and a new and novel intubation device for performing the method. In an exemplary embodiment of the invention, the intubation device comprises an endotracheal tube having a forward open end and a rearward open end and an inner bore there between. A stylet is telescopingly positioned within the inner bore and extends outwardly from the forward open end and includes a longitudinally extending soft and flexible guide portion. A distal stylet cuff may be inflated to provide a smooth transition from the guide portion to the endotracheal tube, and a proximal unidirectional end cap may engage a proximal connector of the endotracheal tube and cooperate with the cuff to seat the stylet within the endotracheal tube for intubation as a unitary whole.

WO 2007/136796 A3

INTERNATIONAL SEARCH REPORT

International application No.

PCT/US07/12000

A. CLASSIFICATION OF SUBJECT MATTER
 IPC: **A61M 16/00(2006.01)**

USPC: 128/207.14,200.26
 According to International Patent Classification (IPC) or to both national classification and IPC

B. FIELDS SEARCHED

Minimum documentation searched (classification system followed by classification symbols)
 U.S. : 128/207.14,200.26,207.15,207.16; 604/164.11-164.13,170.01-170.03,171

Documentation searched other than minimum documentation to the extent that such documents are included in the fields searched
 NONE

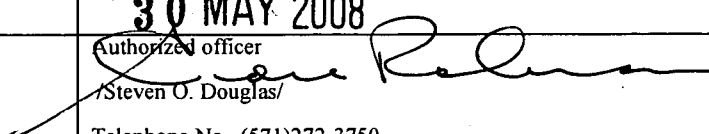
Electronic data base consulted during the international search (name of data base and, where practicable, search terms used)
 EAST

C. DOCUMENTS CONSIDERED TO BE RELEVANT

Category *	Citation of document, with indication, where appropriate, of the relevant passages	Relevant to claim No.
A	US 6,701,918 A (FARISS et al) 09 March 2004 (09.03.2004), see entire document.	1-32
A	US 4,351,330 A (SCARBERRY) 28 September 1982 (28.09.1982), see entire document.	1-32
A	US 3,996,939 A (SHERIDAN et al) 14 December 1976 (14.12.1976), see entire document.	1-32

Further documents are listed in the continuation of Box C. See patent family annex.

* Special categories of cited documents:		
"A" document defining the general state of the art which is not considered to be of particular relevance	"T"	later document published after the international filing date or priority date and not in conflict with the application but cited to understand the principle or theory underlying the invention
"E" earlier application or patent published on or after the international filing date	"X"	document of particular relevance; the claimed invention cannot be considered novel or cannot be considered to involve an inventive step when the document is taken alone
"L" document which may throw doubts on priority claim(s) or which is cited to establish the publication date of another citation or other special reason (as specified)	"Y"	document of particular relevance; the claimed invention cannot be considered to involve an inventive step when the document is combined with one or more other such documents, such combination being obvious to a person skilled in the art
"O" document referring to an oral disclosure, use, exhibition or other means		
"P" document published prior to the international filing date but later than the priority date claimed	"&"	document member of the same patent family

Date of the actual completion of the international search 13 May 2008 (13.05.2008)	Date of mailing of the international search report 30 MAY 2008
Name and mailing address of the ISA/US Mail Stop PCT, Attn: ISA/US Commissioner for Patents P.O. Box 1450 Alexandria, Virginia 22313-1450 Facsimile No. (571) 273-3201	Authorized officer  /Steven O. Douglas/ Telephone No. (571)272-3750