



US00D802809S

(12) **United States Design Patent**
Schendel

(10) **Patent No.:** **US D802,809 S**

(45) **Date of Patent:** **** Nov. 14, 2017**

(54) **BRAKE LIGHTING UNIT**

(56) **References Cited**

(71) Applicant: **SIGMA Sport USA, L.L.C.**, St.
Charles, IL (US)

U.S. PATENT DOCUMENTS

D483,891 S * 12/2003 Suberi D26/31
D529,642 S * 10/2006 Green D26/31

(72) Inventor: **Klaus-Peter Schendel**, Neustadt (DE)

* cited by examiner

(73) Assignee: **SIGMA Sport USA, L.L.C.**, St.
Charles, MO (US)

Primary Examiner — Marcus Jackson
(74) *Attorney, Agent, or Firm* — Lewis Rice LLC

(**) Term: **15 Years**

(57) **CLAIM**

The ornamental design for a brake light unit, as shown and described.

(21) Appl. No.: **29/558,689**

DESCRIPTION

(22) Filed: **Mar. 21, 2016**

(51) **LOC (10) Cl.** **26-06**

(52) **U.S. Cl.**

USPC **D26/28**

(58) **Field of Classification Search**

USPC D26/28-36; 362/80-83, 267-269,
362/459-468, 475-478, 485-487
CPC F21S 48/00; F21S 48/10; F21S 48/115;
F21S 48/1233; F21S 48/1266; F21S
48/1388; F21S 48/2268; F21V 21/04

See application file for complete search history.

FIG. 1 provides a front perspective view of a brake light unit.

FIG. 2 provides a front view of a brake light unit.

FIG. 3 provides a rear view of a brake light unit.

FIG. 4 provides a left side view of a brake light unit.

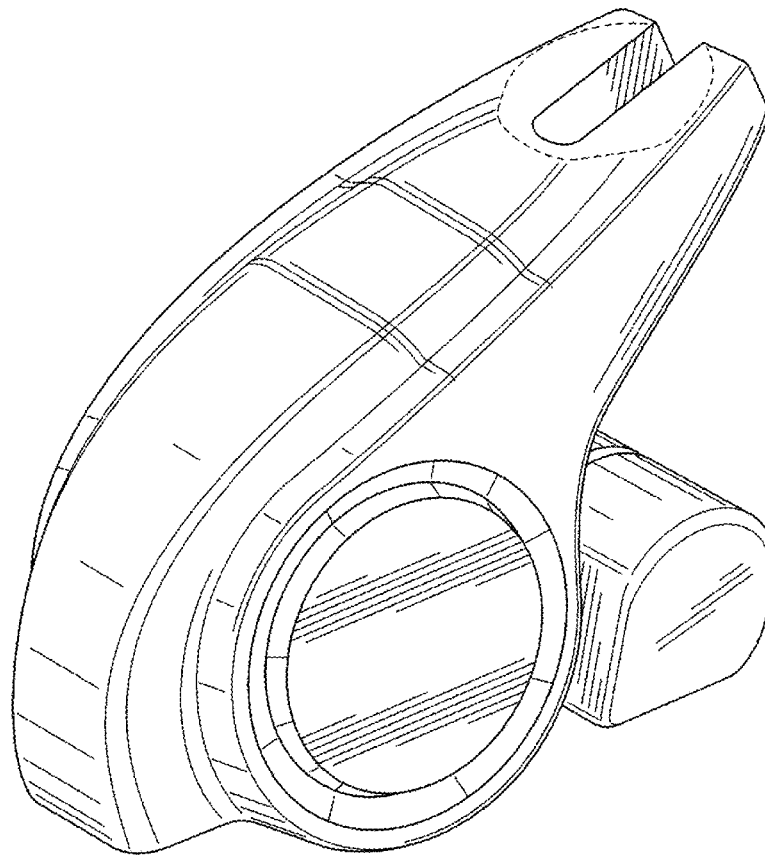
FIG. 5 provides a right side view of a brake light unit.

FIG. 6 provides a top view of a brake light unit; and,

FIG. 7 provides a bottom view of a brake light unit.

The broken lines shown in the drawings are included for the purpose of illustrating environmental structure and form no part of the claimed design.

1 Claim, 7 Drawing Sheets



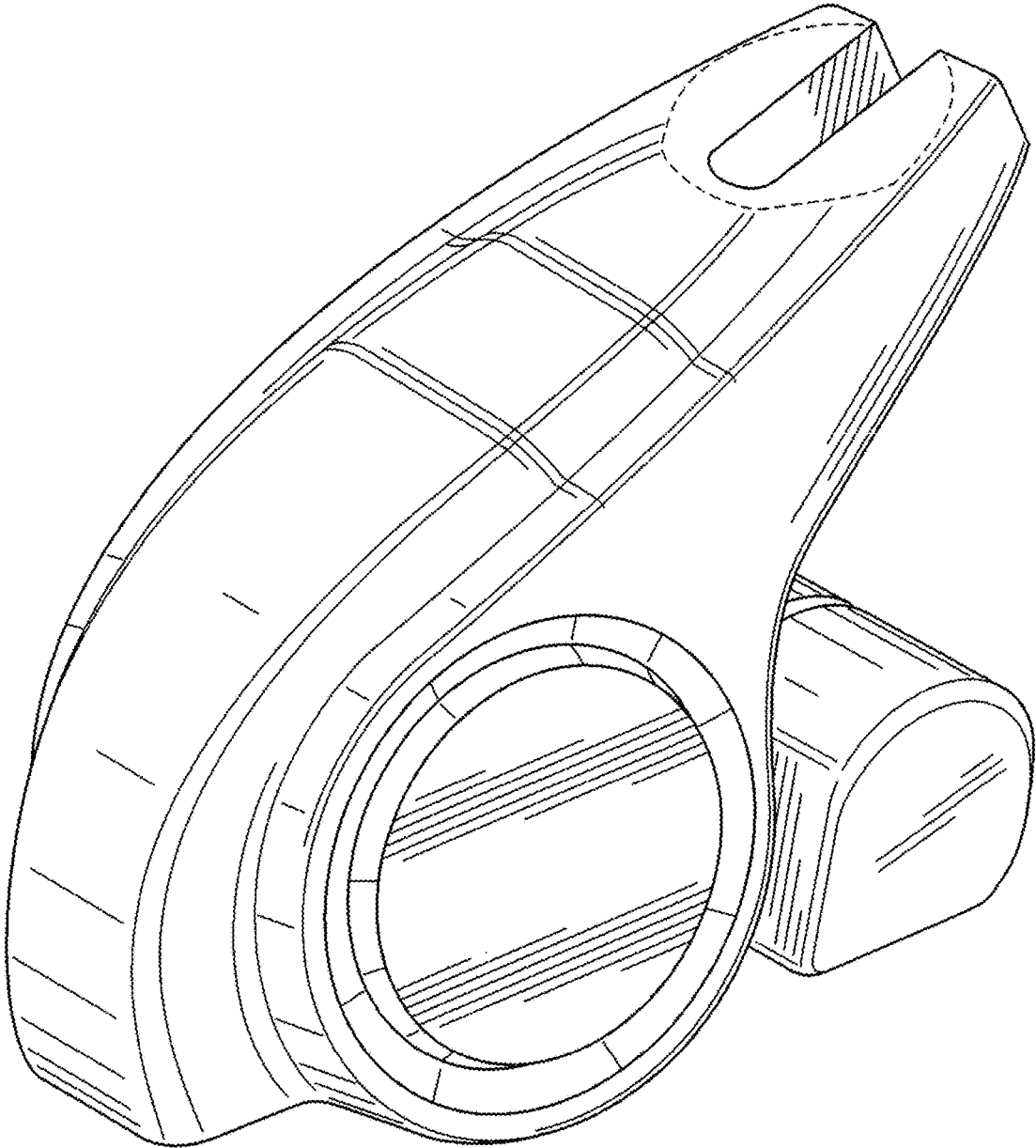


FIG. 1

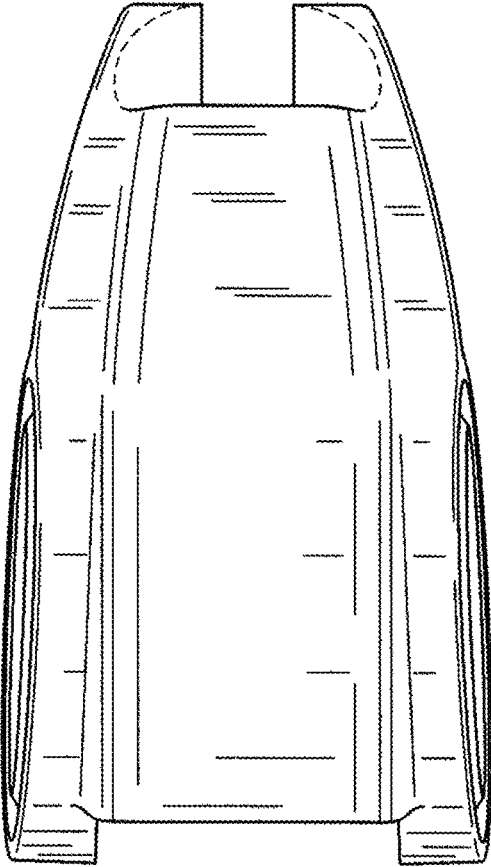


FIG. 2

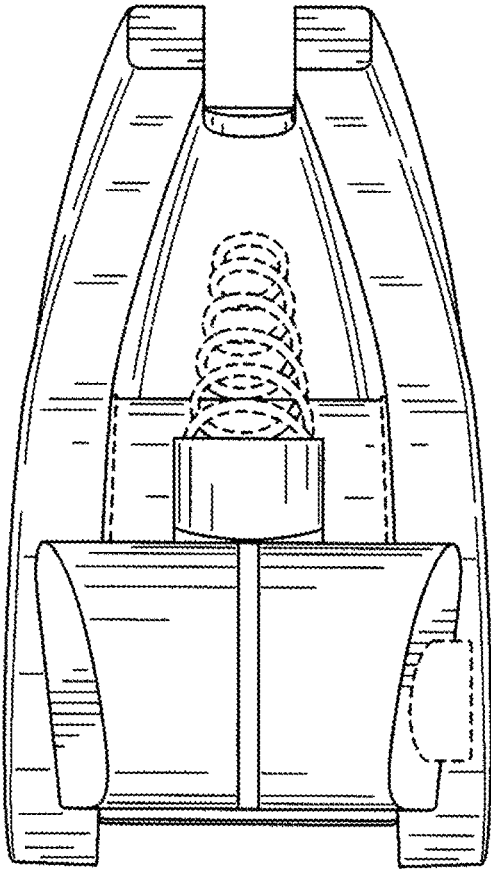


FIG. 3

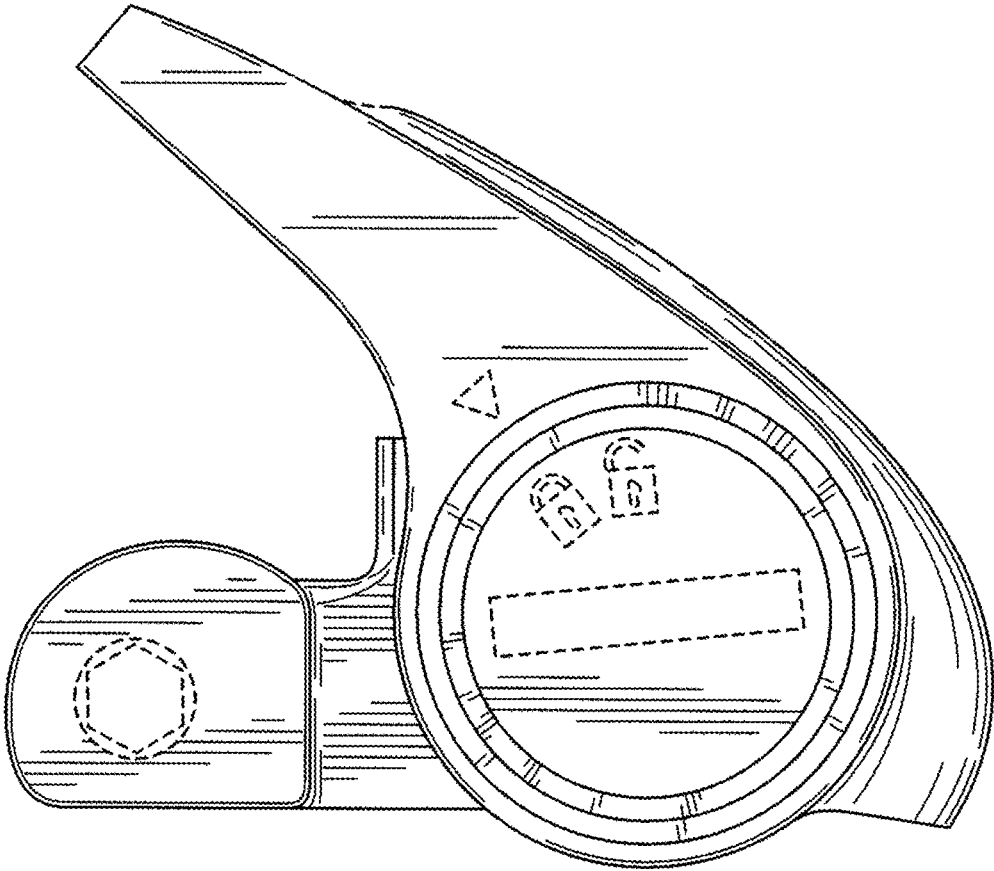


FIG. 4

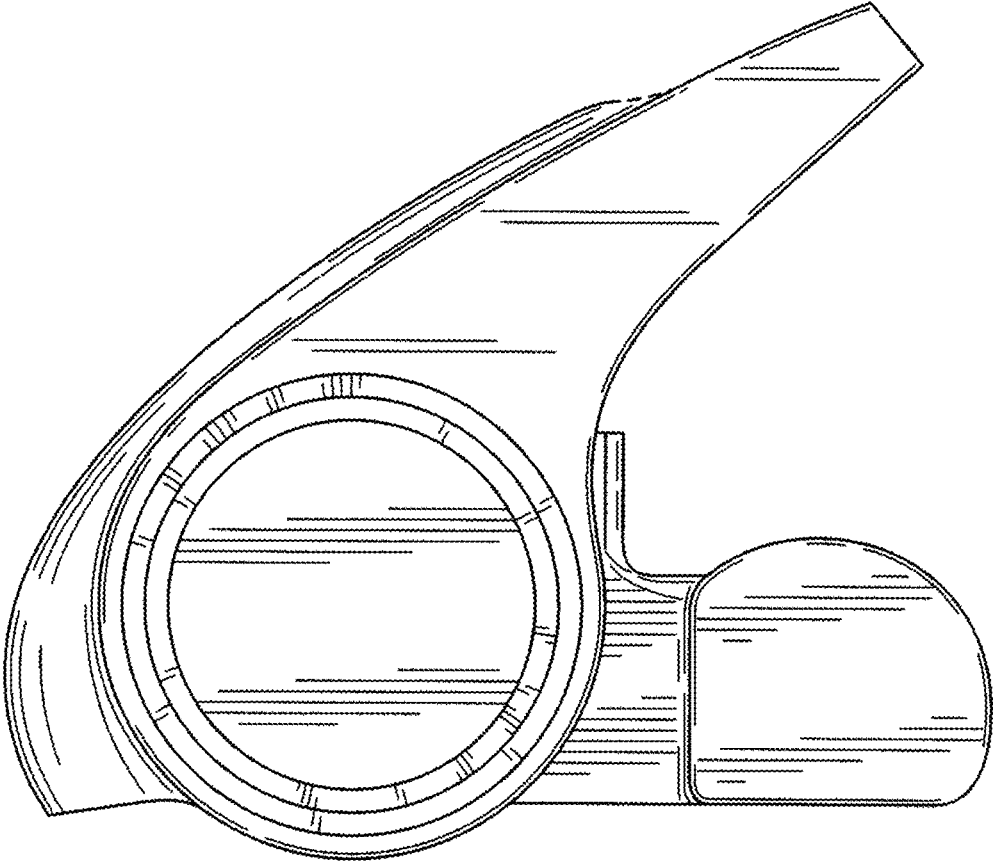


FIG. 5

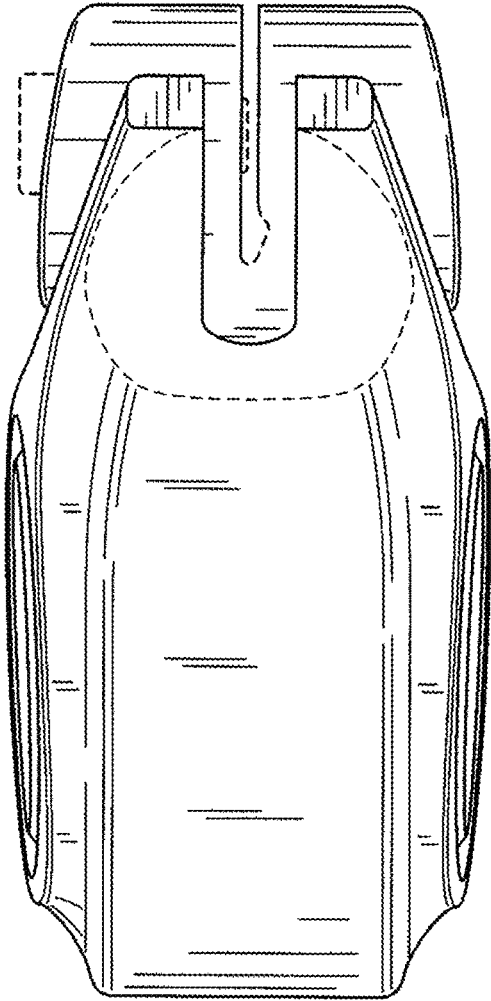


FIG. 6

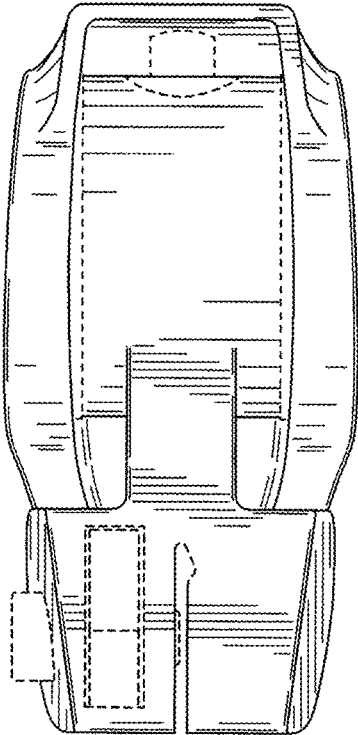


FIG. 7