

(19) World Intellectual Property Organization  
International Bureau



(43) International Publication Date  
31 October 2002 (31.10.2002)

PCT

(10) International Publication Number  
WO 02/087169 A3

(51) International Patent Classification<sup>7</sup>: H04L 12/28, 12/56

Robert, H.; 3574 Argonne Street, San Diego, CA 92117 (US). KARMI, Gadi; 545 North Granados Avenue, Solana Beach, CA 92075 (US).

(21) International Application Number: PCT/US02/12191

(22) International Filing Date: 17 April 2002 (17.04.2002)

(74) Agents: WADSWORTH, Philip, R. et al.; Qualcomm Incorporated, 5775 Morehouse Drive, San Diego, CA 92121-1714 (US).

(25) Filing Language: English

(26) Publication Language: English

(30) Priority Data: 09/837,151 18 April 2001 (18.04.2001) US

(81) Designated States (national): AE, AG, AL, AM, AT, AU, AZ, BA, BB, BG, BR, BY, BZ, CA, CH, CN, CO, CR, CU, CZ, DE, DK, DM, DZ, EC, EE, ES, FI, GB, GD, GE, GH, GM, HR, HU, ID, IL, IN, IS, JP, KE, KG, KP, KR, KZ, LC, LK, LR, LS, LT, LU, LV, MA, MD, MG, MK, MN, MW, MX, MZ, NO, NZ, OM, PH, PL, PT, RO, RU, SD, SE, SG, SI, SK, SL, TJ, TM, TN, TR, TT, TZ, UA, UG, UZ, VN, YU, ZA, ZM, ZW.

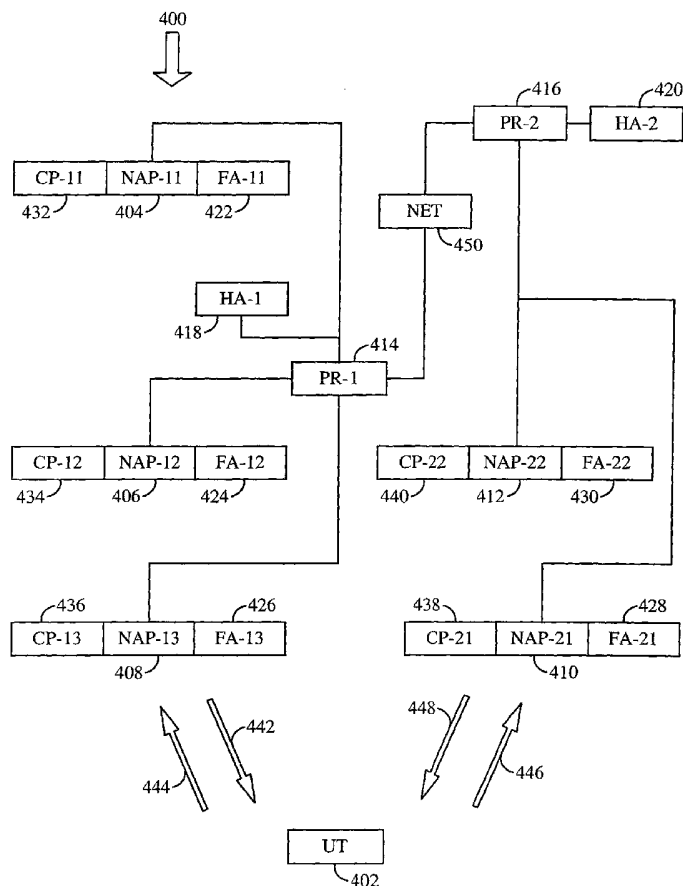
(71) Applicant: QUALCOMM INCORPORATED [US/US]; 5775 Morehouse Drive, San Diego, CA 92121-1714 (US).

(72) Inventors: BENDER, Paul, E.; 2879 Angell Avenue, San Diego, CA 92122 (US). GROB, Matthew, S.; 2757 Bordeaux Avenue, La Jolla, CA 92037 (US). KIMBALL,

(84) Designated States (regional): ARIPO patent (GH, GM, KE, LS, MW, MZ, SD, SL, SZ, TZ, UG, ZM, ZW),

[Continued on next page]

(54) Title: DISTRIBUTED INFRASTRUCTURE FOR WIRELESS DATA COMMUNICATIONS



(57) Abstract: A mobile user terminal (402) accesses a packet data network (450) through one or more of several network access points (404-412). One or more control points 432-440 determines which network access point or points the user terminal is to access. Control may be retained in the current control point, or transferred to another control point, whenever it is convenient. There are preferably several routers, each having an associated home agent (418-420) which determines which foreign agents need to be accessed on behalf of each user terminal. There are several foreign agents (422-430), which forward packets received from a user terminal's home agent to the control point currently controlling communications with the user terminal.

WO 02/087169 A3



Eurasian patent (AM, AZ, BY, KG, KZ, MD, RU, TJ, TM),  
European patent (AT, BE, CH, CY, DE, DK, ES, FI, FR,  
GB, GR, IE, IT, LU, MC, NL, PT, SE, TR), OAPI patent  
(BF, BJ, CF, CG, CI, CM, GA, GN, GQ, GW, ML, MR,  
NE, SN, TD, TG).

**(88) Date of publication of the international search report:**  
20 March 2003

**Published:**

— with international search report

*For two-letter codes and other abbreviations, refer to the "Guidance Notes on Codes and Abbreviations" appearing at the beginning of each regular issue of the PCT Gazette.*

INTERNATIONAL SEARCH REPORT

Int lional Application No  
PCT/US 02/12191

<b>A. CLASSIFICATION OF SUBJECT MATTER</b> IPC 7 H04L12/28 H04L12/56		
According to International Patent Classification (IPC) or to both national classification and IPC		
<b>B. FIELDS SEARCHED</b> Minimum documentation searched (classification system followed by classification symbols) IPC 7 H04L H04Q		
Documentation searched other than minimum documentation to the extent that such documents are included in the fields searched		
Electronic data base consulted during the international search (name of data base and, where practical, search terms used) EPO-Internal, WPI Data, PAJ, INSPEC, IBM-TDB, COMPENDEX		
<b>C. DOCUMENTS CONSIDERED TO BE RELEVANT</b>		
Category °	Citation of document, with indication, where appropriate, of the relevant passages	Relevant to claim No.
X	US 6 215 779 B1 (BENDER PAUL E ET AL) 10 April 2001 (2001-04-10)	1-20
Y	column 2, line 65 -column 3, line 10; figure 3	1,11
X	figure 4 column 2, line 44 - line 51	2-10, 12-20
	column 3, line 11-30 column 3, line 31-47; figures 1-4 column 4, line 14-23 - line 34-42 column 4, line 43-60 column 4, line 61-63	
Y	EP 1 081 899 A (IBM) 7 March 2001 (2001-03-07)	1,11
Y	paragraph '0015! paragraph '0033!; figure 1	1,11
	-/--	
<input checked="" type="checkbox"/> Further documents are listed in the continuation of box C. <input checked="" type="checkbox"/> Patent family members are listed in annex.		
° Special categories of cited documents :		
*A* document defining the general state of the art which is not considered to be of particular relevance *E* earlier document but published on or after the international filing date *L* document which may throw doubts on priority claim(s) or which is cited to establish the publication date of another citation or other special reason (as specified) *O* document referring to an oral disclosure, use, exhibition or other means *P* document published prior to the international filing date but later than the priority date claimed *T* later document published after the international filing date or priority date and not in conflict with the application but cited to understand the principle or theory underlying the invention *X* document of particular relevance; the claimed invention cannot be considered novel or cannot be considered to involve an inventive step when the document is taken alone *Y* document of particular relevance; the claimed invention cannot be considered to involve an inventive step when the document is combined with one or more other such documents, such combination being obvious to a person skilled in the art. *&* document member of the same patent family		
Date of the actual completion of the international search  <p style="text-align: center;">4 November 2002</p>		Date of mailing of the international search report  <p style="text-align: center;">18/11/2002</p>
Name and mailing address of the ISA European Patent Office, P.B. 5818 Patentlaan 2 NL - 2280 HV Rijswijk Tel. (+31-70) 340-2040, Tx. 31 651 epo nl, Fax: (+31-70) 340-3016		Authorized officer  <p style="text-align: center;">Mele, M</p>

## INTERNATIONAL SEARCH REPORT

Int'l Application No  
PCT/US 02/12191

## C.(Continuation) DOCUMENTS CONSIDERED TO BE RELEVANT

Category °	Citation of document, with indication, where appropriate, of the relevant passages	Relevant to claim No.
A	US 5 384 826 A (AMITAY NOACH) 24 January 1995 (1995-01-24) the whole document -----	1-20

INTERNATIONAL SEARCH REPORT  
Information on patent family members

International Application No  
PCT/US 02/12191

Patent document cited in search report		Publication date	Patent family member(s)	Publication date
US 6215779	B1	10-04-2001	AU 6395699 A	10-04-2000
			CN 1319317 T	24-10-2001
			EP 1131971 A2	12-09-2001
			JP 2002525974 T	13-08-2002
			WO 0018067 A2	30-03-2000
			US 2001024437 A1	27-09-2001
			US 2002001290 A1	03-01-2002
			<hr/>	
EP 1081899	A	07-03-2001	EP 1081899 A2	07-03-2001
			CN 1283911 A	14-02-2001
<hr/>				
US 5384826	A	24-01-1995	CA 2050104 A1	02-04-1992
			DE 69124724 D1	27-03-1997
			DE 69124724 T2	05-06-1997
			EP 0479477 A2	08-04-1992
			HK 119097 A	05-09-1997
			JP 2520529 B2	31-07-1996
			JP 4264829 A	21-09-1992
			SG 44474 A1	19-12-1997
			US 5371780 A	06-12-1994
			<hr/>	