



US00D823431S

(12) **United States Design Patent**
Adey et al.

(10) **Patent No.:** **US D823,431 S**

(45) **Date of Patent:** **** Jul. 17, 2018**

- (54) **FILTER** 4,090,956 A * 5/1978 Benzon B04C 5/12
209/727
- (71) Applicant: **Adey Holdings (2008) Limited,** 4,544,483 A 10/1985 Arvai
Cheltenham (GB) 4,881,573 A 11/1989 Durant et al.
5,201,552 A 4/1993 Hohmann et al.
- (72) Inventors: **Christopher Adey,** Cheltenham (GB); 5,203,891 A * 4/1993 Lema B01D 45/12
Matthew Taylor, Cheltenham (GB); 55/460
Simon Downie, Cheltenham (GB) 5,257,525 A 11/1993 Clarke
D454,614 S * 3/2002 Marston D23/207
D654,558 S * 2/2012 Zeng D23/208
D675,705 S * 2/2013 Mallol D23/207
- (73) Assignee: **ADEY HOLDINGS (2008) LIMITED,**
Cheltenham (GB) (Continued)

(**) Term: **15 Years**

FOREIGN PATENT DOCUMENTS

(21) Appl. No.: **29/560,415**

BE 646074 A 10/1959
DE 4310795 C1 7/1994

(22) Filed: **Apr. 6, 2016**

(Continued)

Related U.S. Application Data

Primary Examiner — Robin V Webster

(63) Continuation of application No. 14/439,059, filed as application No. PCT/GB2013/052880 on Nov. 4, 2013.

(74) *Attorney, Agent, or Firm* — Michael E. Dockins;
Shumaker, Loop & Kendrick, LLP

(30) **Foreign Application Priority Data**

(57) **CLAIM**

The ornamental design for a filter, as shown and described.

May 21, 2013 (GB) PCT/GB2013/051329
May 21, 2013 (GB) PCT/GB2013/051330
Oct. 7, 2013 (GB) 1317652.4

DESCRIPTION

(51) **LOC (11) Cl.** **23-01**
(52) **U.S. Cl.**
USPC **D23/209**

FIG. 1 is a front perspective view of a filter showing my new design;
FIG. 2 is a front elevational view thereof;
FIG. 3 is a rear elevational view thereof;
FIG. 4 is a left-side elevational view thereof;
FIG. 5 is a right-side elevational view thereof;
FIG. 6 is a top plan view thereof;
FIG. 7 is a bottom plan view thereof; and,
FIG. 8 is a rear perspective view thereof.

(58) **Field of Classification Search**
USPC D23/207, 209; 210/223, 512.1
CPC B04C 5/14; F16L 29/007; F16R 31/00
See application file for complete search history.

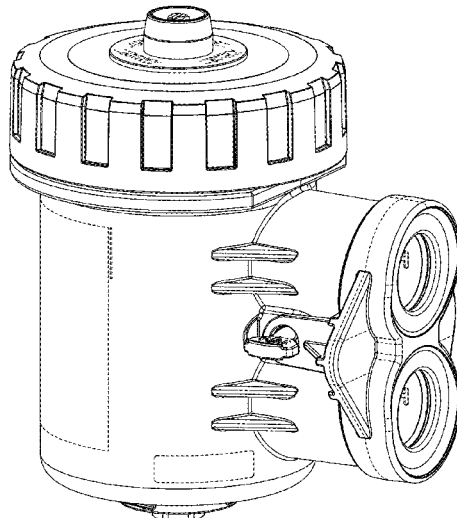
The ornamental design which is claimed is shown in solid lines in the drawings. Features and portions in broken lines are presented for illustrative purposes and form no part of the claimed design.

(56) **References Cited**

U.S. PATENT DOCUMENTS

3,339,740 A 9/1967 Starzyk
3,696,927 A 10/1972 Jakobsson et al.

1 Claim, 8 Drawing Sheets



(56)

References Cited

U.S. PATENT DOCUMENTS

D705,390	S	*	5/2014	Okazaki	D23/207
2005/0167352	A1		8/2005	Burrows et al.	
2008/0000820	A1		1/2008	Mitchell	
2012/0067802	A1		3/2012	Irvin	

FOREIGN PATENT DOCUMENTS

EP	2453157	A2	5/2012		
FR	2693662	A1	1/1994		
GB	274729	A	7/1927		
GB	737822	A	10/1955		
GB	2349685	A	11/2000		
GB	2469145	A	10/2010		
GB	2491246	A	11/2012		
WO	8402855	A1	8/1984		
WO	9942198	A1	8/1999		
WO	0045937	A1	8/2000		
WO	2012073029	A1	6/2012		

* cited by examiner

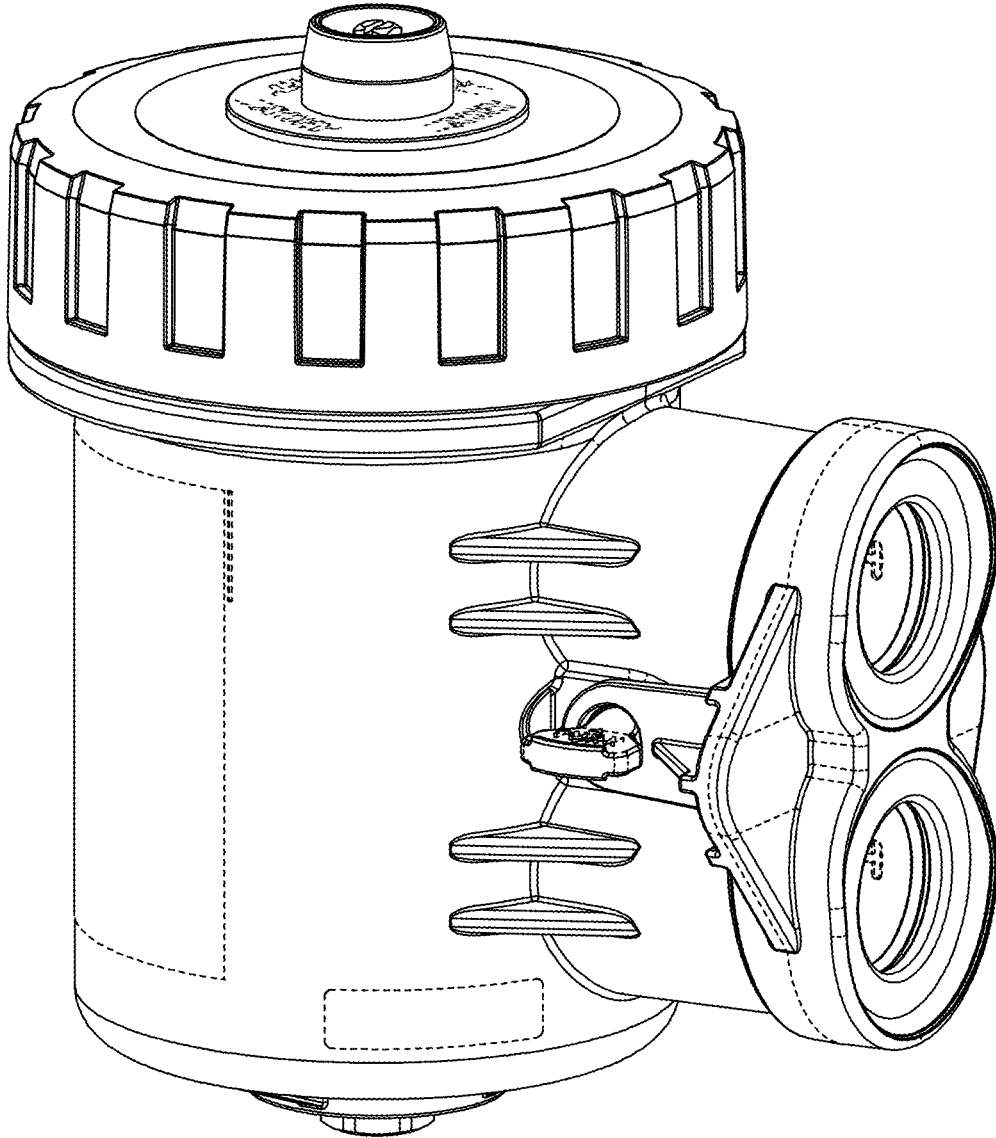


FIG. 1

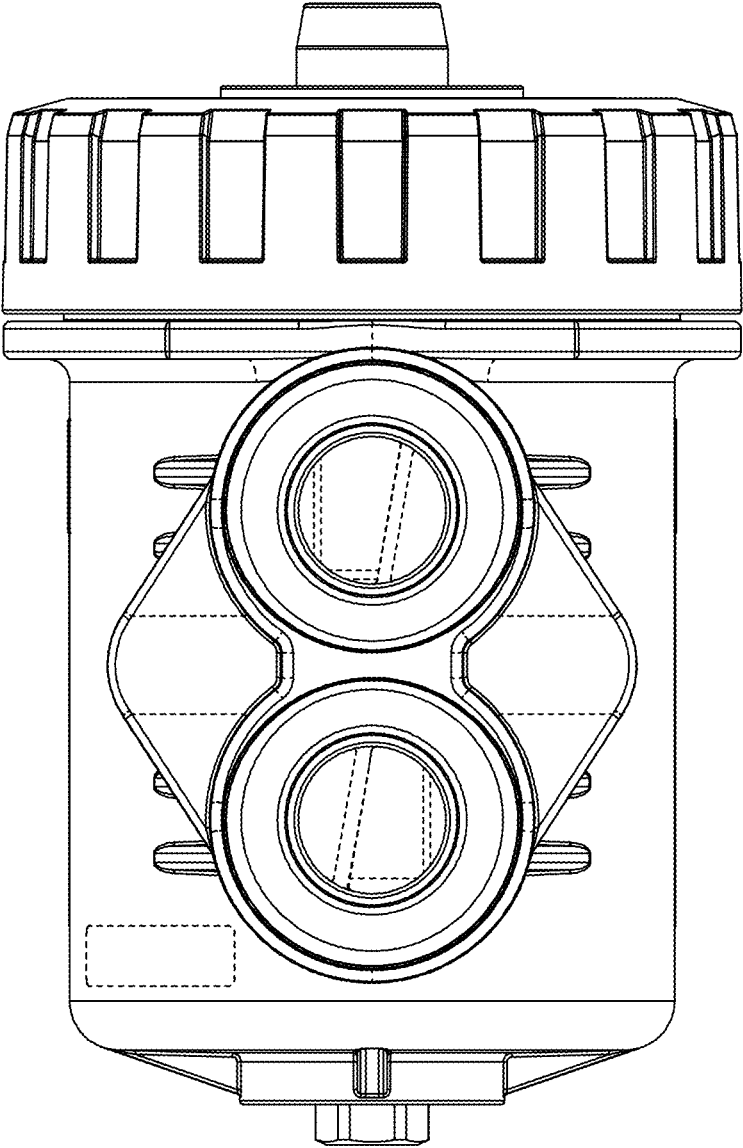


FIG. 2

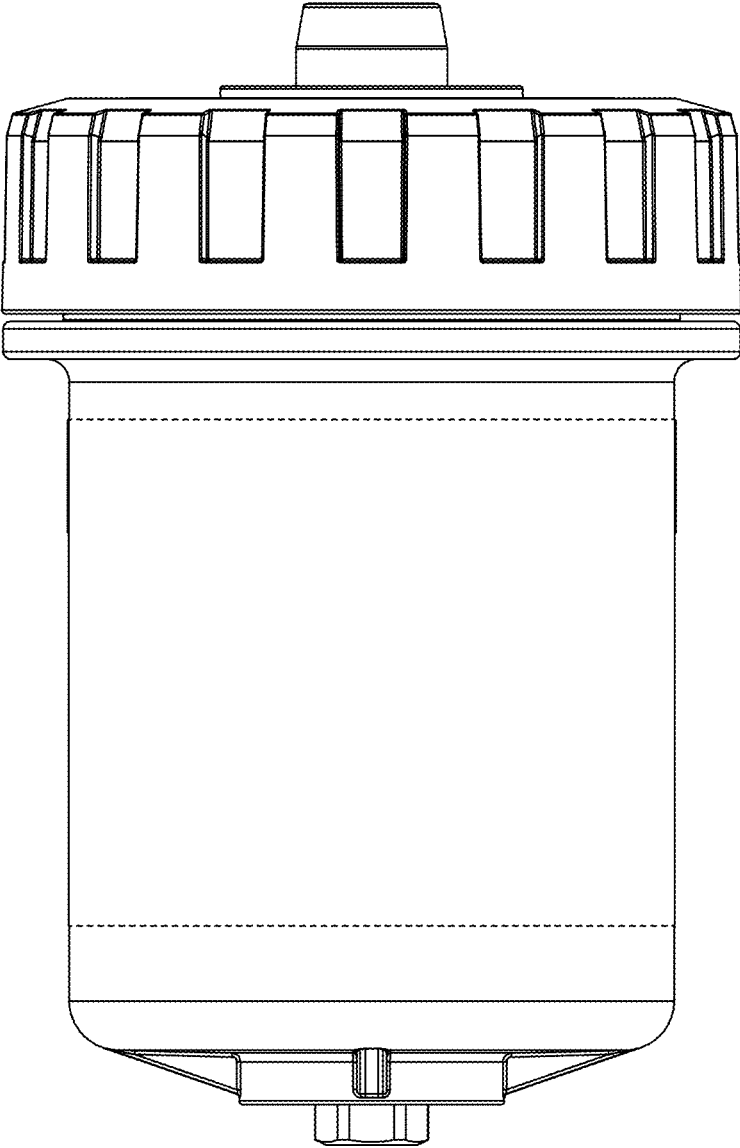


FIG. 3

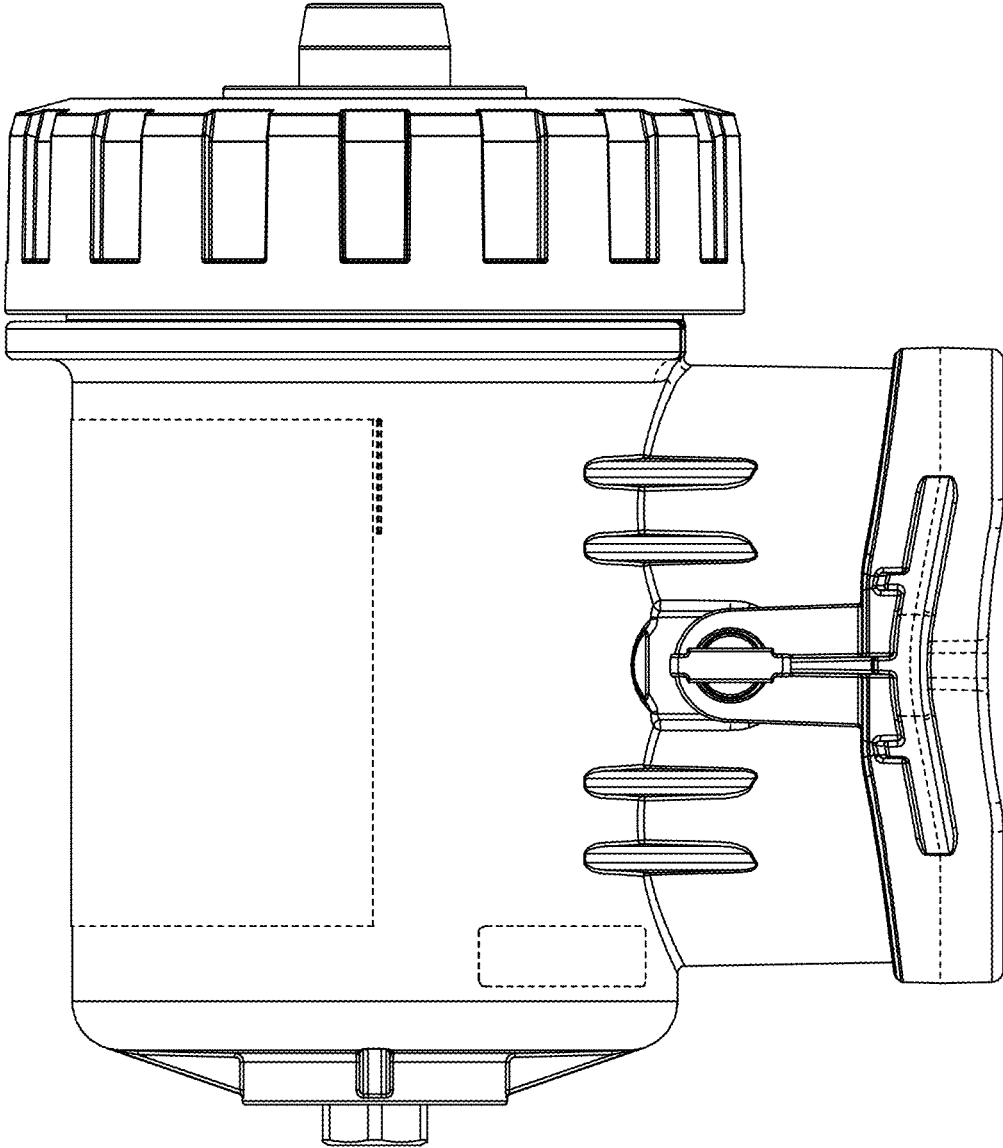


FIG. 4

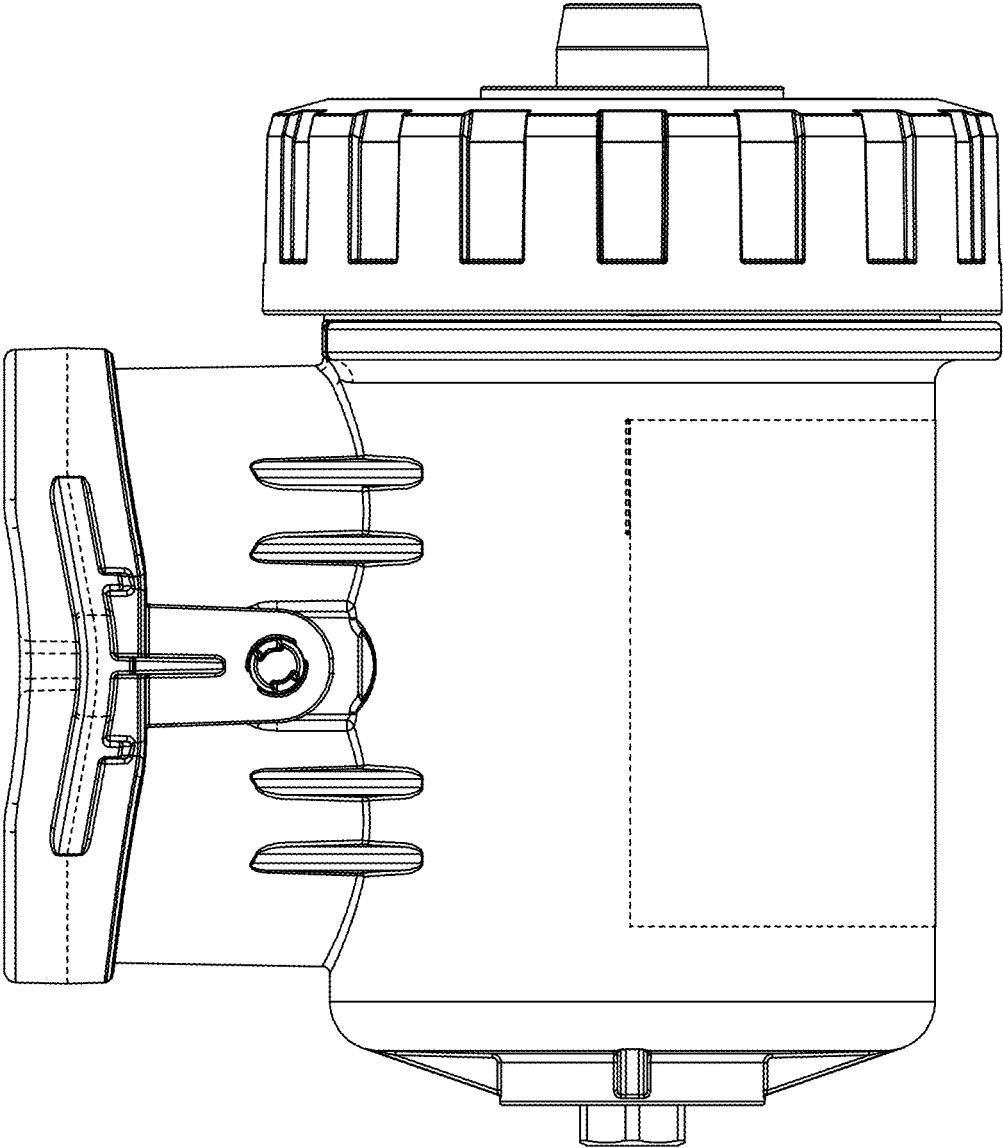


FIG. 5

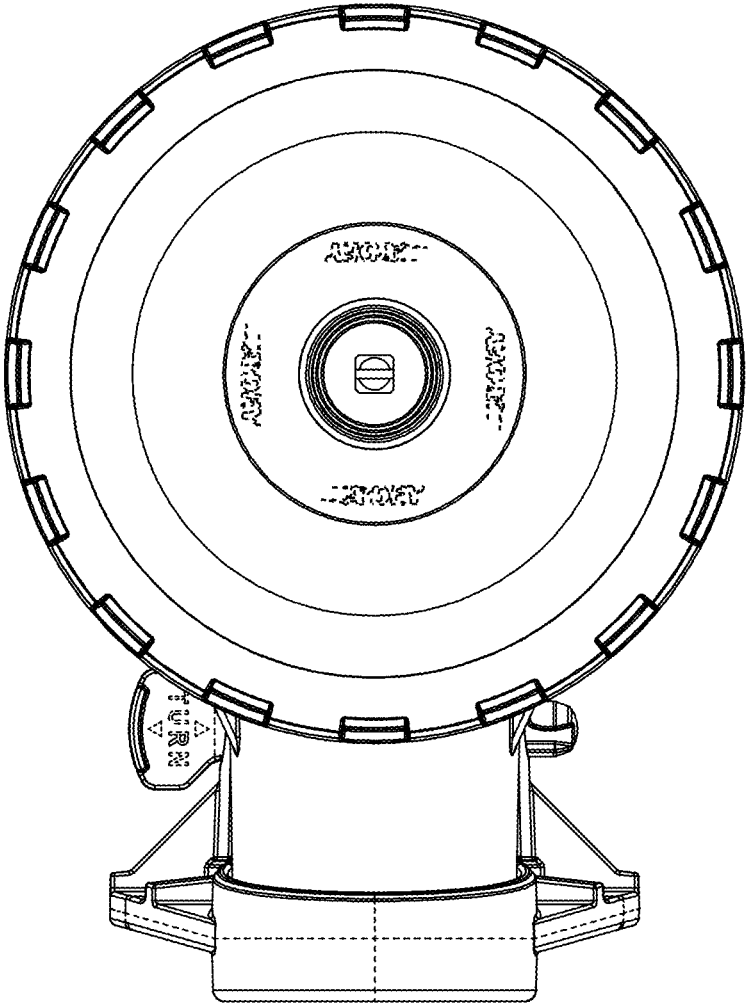


FIG. 6

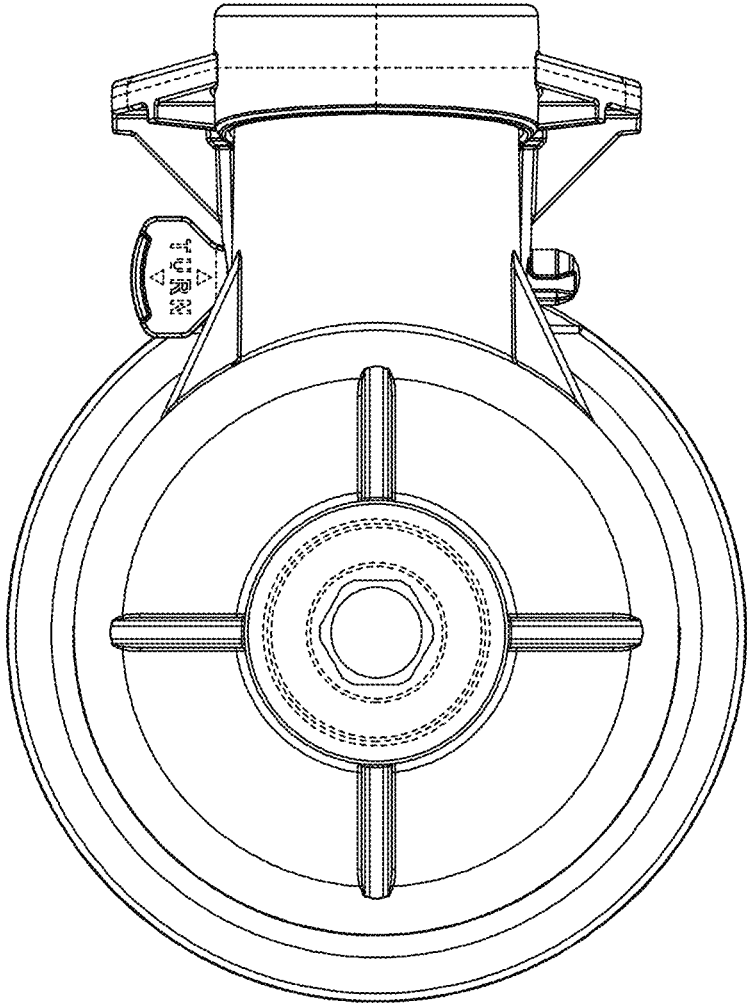


FIG. 7

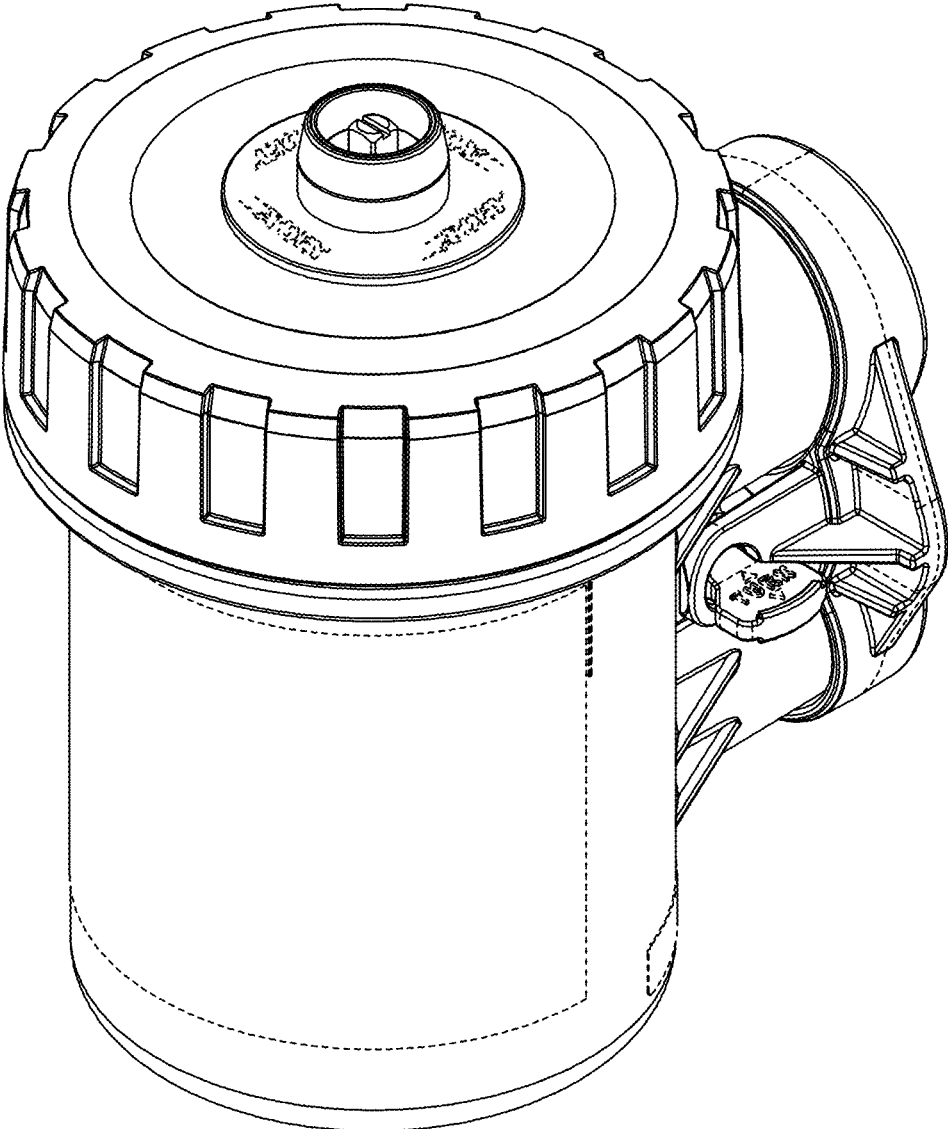


FIG. 8