



US00D980321S

(12) **United States Design Patent** (10) **Patent No.:** **US D980,321 S**
Hong et al. (45) **Date of Patent:** **** Mar. 7, 2023**

(54) **DIGITAL SIGNAGE**
(71) Applicant: **LG ELECTRONICS INC.**, Seoul (KR)
(72) Inventors: **Hyeyoung Hong**, Seoul (KR); **Yongho Lee**, Seoul (KR)
(73) Assignee: **LG ELECTRONICS INC.**, Seoul (KR)

D835,056 S * 12/2018 Won D14/126
D845,259 S * 4/2019 Won D14/126
D845,261 S * 4/2019 Won D14/126
D847,771 S * 5/2019 Won D14/126
D852,154 S * 6/2019 Won D14/126
D886,196 S * 6/2020 Lee D20/39
D886,902 S * 6/2020 Lee D20/39
D949,973 S * 4/2022 You D14/126

(Continued)

(**) Term: **15 Years**
(21) Appl. No.: **29/759,218**
(22) Filed: **Nov. 20, 2020**

OTHER PUBLICATIONS
NAB 2019, posted at provideocoalition.com, posted on Apr. 26, 2019, site visited Nov. 23, 2022. online, available from internet: <https://www.provideocoalition.com/nab-2019-transparent-oled-display/> (Year: 2019).*

(Continued)

(30) **Foreign Application Priority Data**
Jun. 25, 2020 (KR) 30-2020-0028983
(51) **LOC (14) Cl.** **20-03**
(52) **U.S. Cl.**
USPC **D20/10; D20/19; D14/126; D6/672; D6/673**

Primary Examiner — Catherine Ho
(74) *Attorney, Agent, or Firm* — Birch, Stewart, Kolasch & Birch, LLP

(58) **Field of Classification Search**
USPC D5/8; D6/300, 303, 657, 672, 673; D10/104.1, 104.2, 109.1, 109.2; D13/102; D14/126, 371, 374; D20/10, D20/11, 18, 19, 22, 28, 27, 31, 32, 39, D20/40, 41, 42, 99
CPC G09F 13/18; G09F 2013/184; G09F 2013/1872; G09F 2013/1877; G09F 13/20; G09F 13/22; G09F 13/02; G09F 7/00; G09F 2007/007; G09F 7/02; G09F 9/00; G09F 19/00; G09F 15/00; G09F 15/0006; G09F 15/0037
See application file for complete search history.

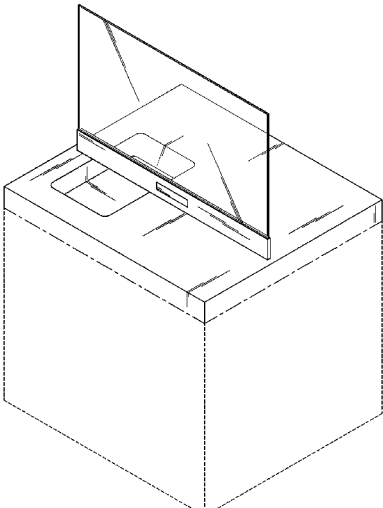
(57) **CLAIM**
We claim the ornamental design for a digital signage, as shown and described.

DESCRIPTION

FIG. 1 is a perspective view of a digital signage showing the new design;
FIG. 2 is a front elevation view thereof;
FIG. 3 is a rear elevation view thereof;
FIG. 4 is a left-side elevation view thereof;
FIG. 5 is a right-side elevation view thereof;
FIG. 6 is a top plan view thereof; and,
FIG. 7 is a bottom plan view thereof.
The broken lines represent portions of the stand for digital signage that form no part of the claimed design. The dashed-dot lines are used to define boundaries of the claimed design and form no part thereof.

(56) **References Cited**
U.S. PATENT DOCUMENTS
D354,520 S * 1/1995 Pong D19/91
D396,170 S * 7/1998 Conway D7/590

1 Claim, 7 Drawing Sheets



(56)

References Cited

U.S. PATENT DOCUMENTS

D956,456 S * 7/2022 Hong D6/675.4
D960,979 S * 8/2022 Lee D14/127
D963,383 S * 9/2022 Hong D6/672

OTHER PUBLICATIONS

Transparent OLED signage, posted at pocnetwork.net, posted on Jun. 8, 2018, site visited Nov. 23, 2022. online, available from internet: <https://www.pocnetwork.net/technology-news/1g-shows-off-new-transparent-oled-technology-at-infocomm-2018/> (Year: 2018).*

* cited by examiner

FIG. 1

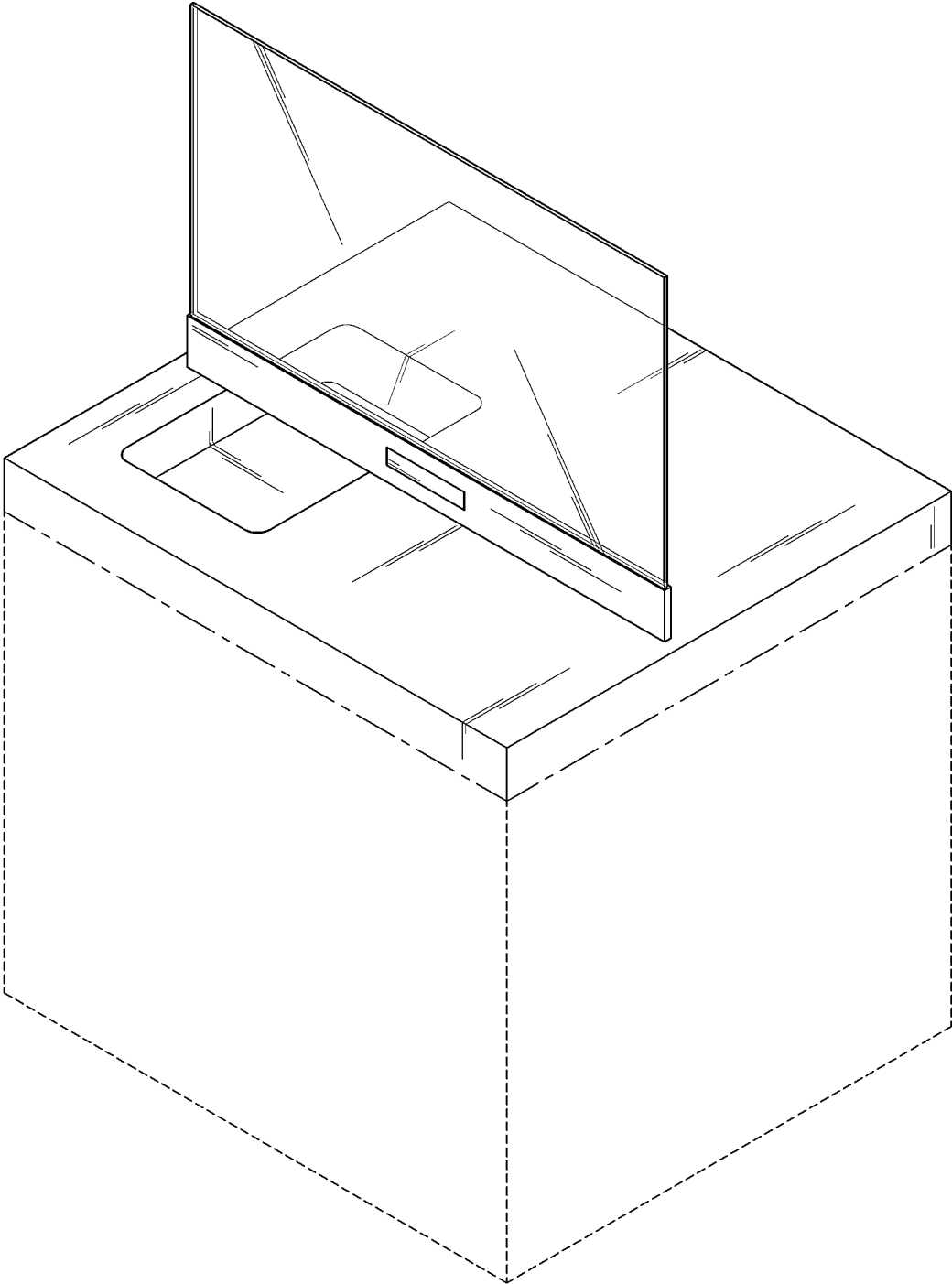


FIG. 2

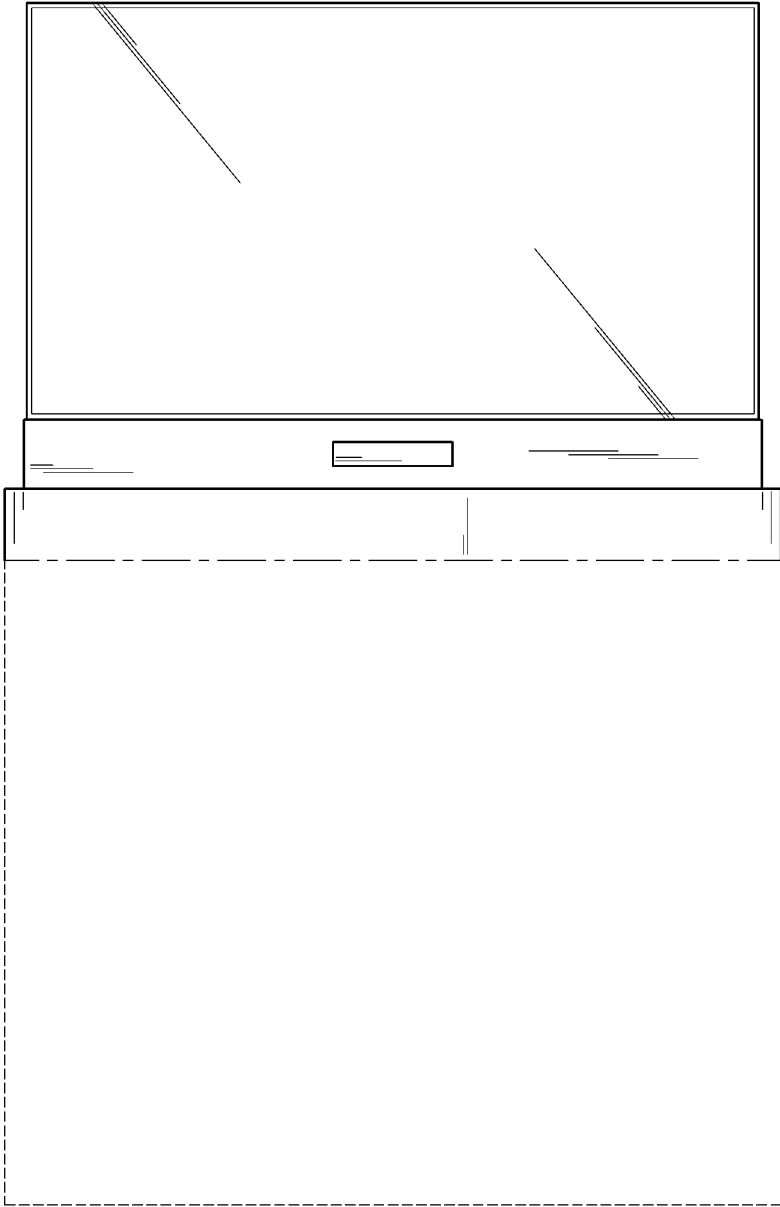


FIG. 3

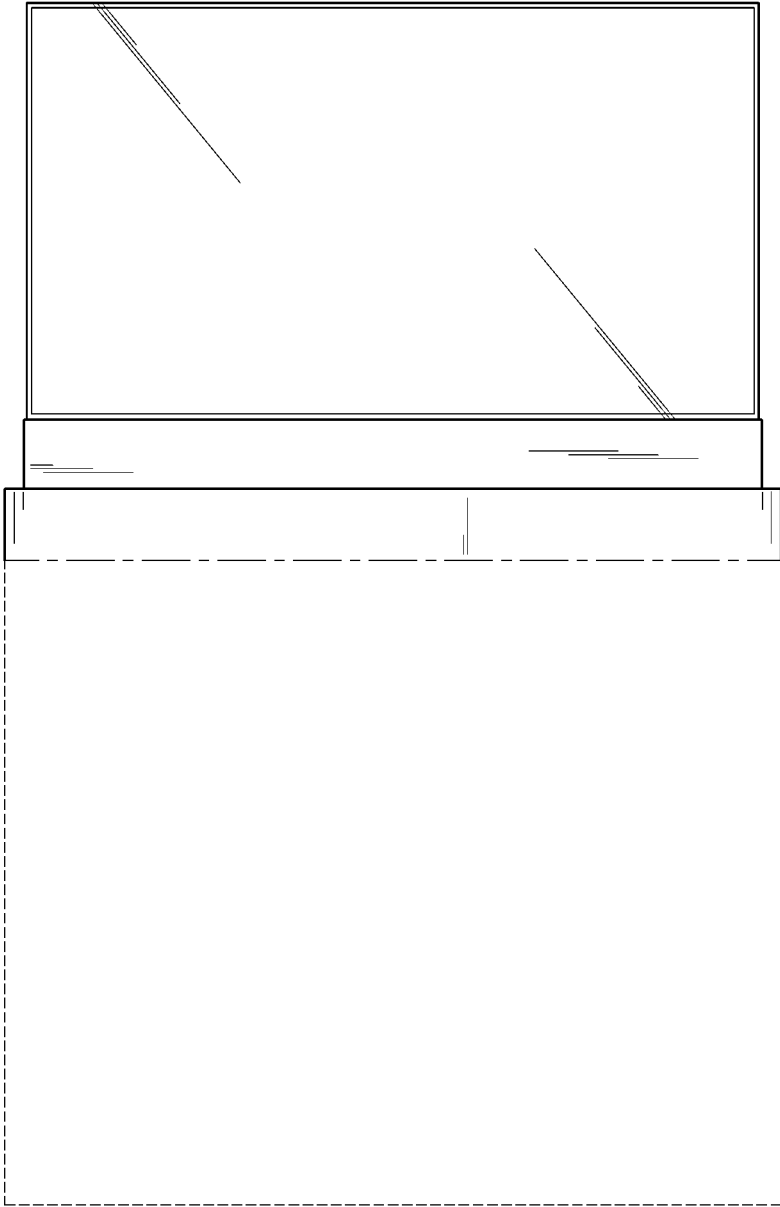


FIG. 4

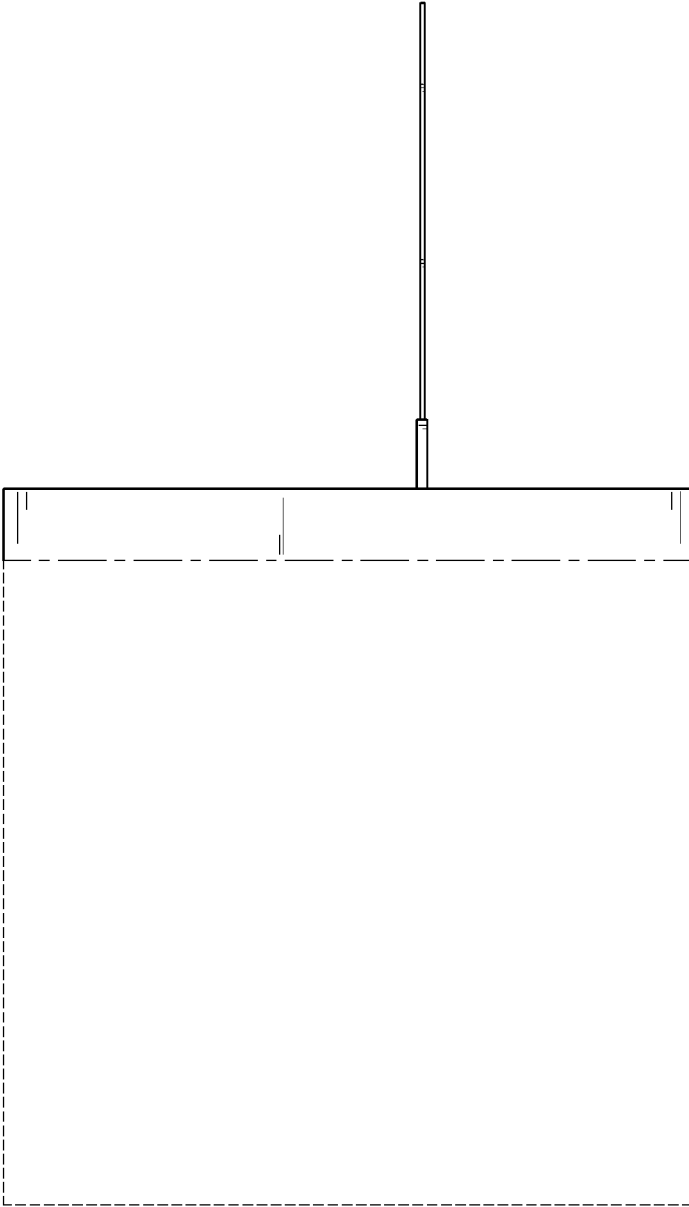


FIG. 5

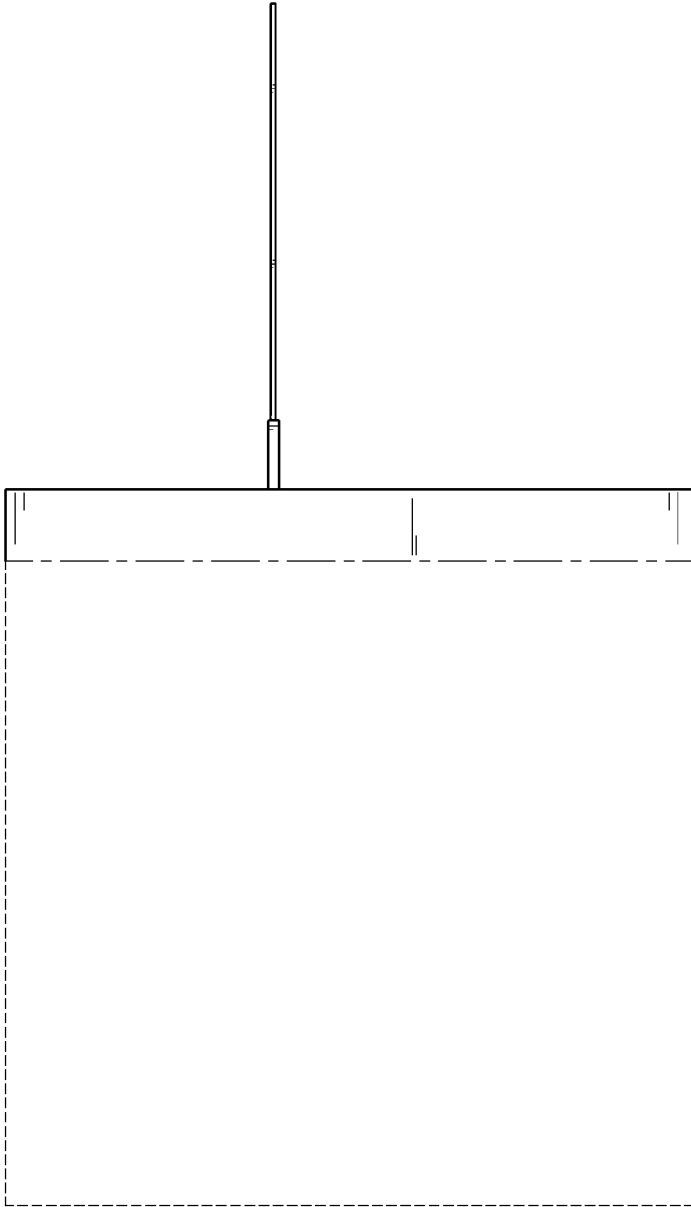


FIG. 6

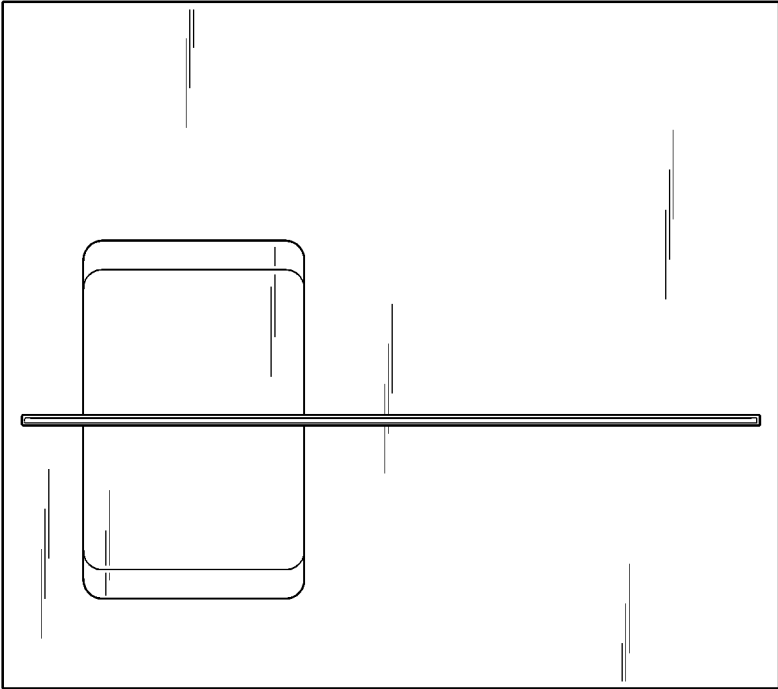


FIG. 7

