

(19) World Intellectual Property Organization
International Bureau



(43) International Publication Date
22 April 2004 (22.04.2004)

PCT

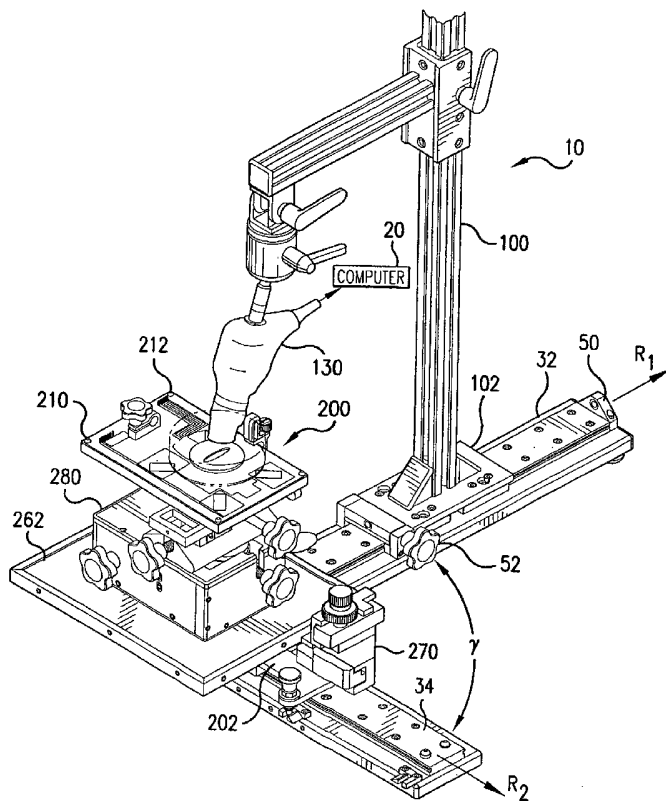
(10) International Publication Number
WO 2004/032725 A3

- (51) International Patent Classification⁷: **A61B 5/05**
- (21) International Application Number: PCT/US2003/032437
- (22) International Filing Date: 10 October 2003 (10.10.2003)
- (25) Filing Language: English
- (26) Publication Language: English
- (30) Priority Data:

60/417,167	10 October 2002 (10.10.2002)	US
60/417,185	10 October 2002 (10.10.2002)	US
60/468,960	9 May 2003 (09.05.2003)	US
60/468,959	9 May 2003 (09.05.2003)	US
- (71) Applicant (for all designated States except US): **VISUAL-SONICS INC.** [CA/CA]; 3080 Yonge St., Suite 6020, Box 89, Toronto, Ontario M4N 3N1 (CA).
- (72) Inventors; and
- (75) Inventors/Applicants (for US only): **ZAN, Leo** [CA/CA]; 69 Greenfield Drive, Toronto, Ontario M9B-1H4 (CA). **MEHI, James, I.** [US/CA]; 7250 Yonge St., Unit 206, Thornhill, Ontario L4J 7X1 (CA).
- (74) Agent: **NEEDLE & ROSENBERG, P.C.**; Suite 1000, 999 Peachtree Street, Atlanta, GA 30309-3915 (US).
- (81) Designated States (national): AE, AG, AL, AM, AT, AU, AZ, BA, BB, BG, BR, BY, BZ, CA, CH, CN, CO, CR, CU, CZ, DE, DK, DM, DZ, EC, EE, EG, ES, FI, GB, GD, GE, GH, GM, HR, HU, ID, IL, IN, IS, JP, KE, KG, KP, KR, KZ, LC, LK, LR, LS, LT, LU, LV, MA, MD, MG, MK, MN, MW, MX, MZ, NI, NO, NZ, OM, PG, PH, PL, PT, RO, RU, SC, SD, SE, SG, SK, SL, SY, TJ, TM, TN, TR, TT, TZ, UA, UG, US, UZ, VC, VN, YU, ZA, ZM, ZW.
- (84) Designated States (regional): ARIPO patent (GH, GM, KE, LS, MW, MZ, SD, SL, SZ, TZ, UG, ZM, ZW), Eurasian patent (AM, AZ, BY, KG, KZ, MD, RU, TJ, TM),

[Continued on next page]

(54) Title: INTEGRATED MULTI-RAIL IMAGING SYSTEM



(57) Abstract: The imaging system can comprise a plurality of elongated rails, a scanhead assembly, and a small animal mount assembly. The scanhead assembly is selectively mounted onto a first rail and is constructed and arranged for movement in a linear bi-directional manner along the longitudinal axis of the first rail. The small-animal mount assembly is selectively mounted onto a second rail and is constructed and arranged for movement in a linear bi-directional manner along the longitudinal axis of the second rail. The second rail being mounted relative to the first rail such that the longitudinal axis of the second rail is at an angle to the longitudinal axis of the first rail. The small-animal mount assembly can include a table member suitable for mounting a small animal. The table member can be selectively positionable into a desired table plane. The imaging system can also comprise a needle injection assembly that is selectively mounted onto the third rail and is constructed and arranged for movement in a linear bi-directional manner along the longitudinal axis of the third rail. The third rail being mounted relative to the second rail and the first rail such that the longitudinal axis of the third rail is substantially coaxial to the longitudinal axis of the first rail.

WO 2004/032725 A3



European patent (AT, BE, BG, CH, CY, CZ, DE, DK, EE, ES, FI, FR, GB, GR, HU, IE, IT, LU, MC, NL, PT, RO, SE, SI, SK, TR), OAPI patent (BF, BJ, CF, CG, CI, CM, GA, GN, GQ, GW, ML, MR, NE, SN, TD, TG).

(88) Date of publication of the international search report:
4 November 2004

Published:

- *with international search report*
- *before the expiration of the time limit for amending the claims and to be republished in the event of receipt of amendments*

For two-letter codes and other abbreviations, refer to the "Guidance Notes on Codes and Abbreviations" appearing at the beginning of each regular issue of the PCT Gazette.

INTERNATIONAL SEARCH REPORT

International application No.

PCT/US03/32437

A. CLASSIFICATION OF SUBJECT MATTER		
IPC(7) : A61B 5/05		
US CL : 600/415, 407, 410, 417, 422, 425; 606/87, 96, 102, 116, 117, 130, 163-165; 119/752-756		
According to International Patent Classification (IPC) or to both national classification and IPC		
B. FIELDS SEARCHED		
Minimum documentation searched (classification system followed by classification symbols) U.S. : 600/415, 407, 410, 417, 422, 425		
Documentation searched other than minimum documentation to the extent that such documents are included in the fields searched		
Electronic data base consulted during the international search (name of data base and, where practicable, search terms used)		
C. DOCUMENTS CONSIDERED TO BE RELEVANT		
Category *	Citation of document, with indication, where appropriate, of the relevant passages	Relevant to claim No.
X	US 6,258,103 B1 (SARACIONE) 10 July 2001 (10.07.2001), See column 2, line 50- column 5, line 28; column 6, line 35 - column 22, line 52.	1-63
E	US 6,711,430 B1 (FERRIS et al) 23 March 2004 (23.03.2004), See 1-63.	1-63
<input type="checkbox"/> Further documents are listed in the continuation of Box C. <input type="checkbox"/> See patent family annex.		
* Special categories of cited documents:		
"A"	document defining the general state of the art which is not considered to be of particular relevance	"T" later document published after the international filing date or priority date and not in conflict with the application but cited to understand the principle or theory underlying the invention
"E"	earlier application or patent published on or after the international filing date	"X" document of particular relevance; the claimed invention cannot be considered novel or cannot be considered to involve an inventive step when the document is taken alone
"L"	document which may throw doubts on priority claim(s) or which is cited to establish the publication date of another citation or other special reason (as specified)	"Y" document of particular relevance; the claimed invention cannot be considered to involve an inventive step when the document is combined with one or more other such documents, such combination being obvious to a person skilled in the art
"O"	document referring to an oral disclosure, use, exhibition or other means	"&" document member of the same patent family
"P"	document published prior to the international filing date but later than the priority date claimed	
Date of the actual completion of the international search	Date of mailing of the international search report	
21 August 2004 (21.08.2004)	10 SEP 2004	
Name and mailing address of the ISA/US Mail Stop PCT, Attn: ISA/US Commissioner for Patents P.O. Box 1450 Alexandria, Virginia 22313-1450 Facsimile No. (703)305-3230	Authorized officer <i>Sharon M. Greene for</i> Angela Sykes Telephone No. 703-308-5181	