

(19) World Intellectual Property Organization
International Bureau



(43) International Publication Date
18 April 2002 (18.04.2002)

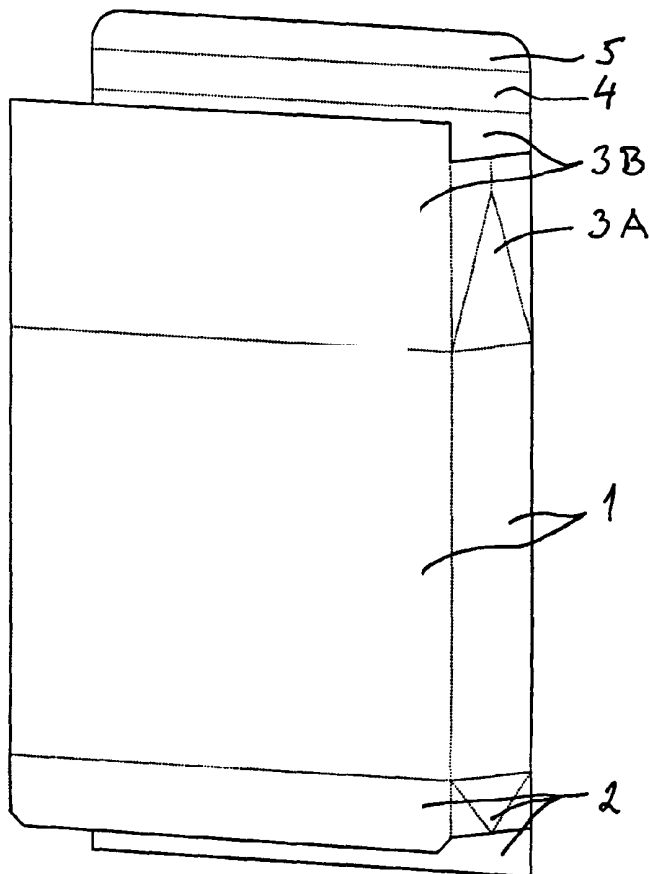
PCT

(10) International Publication Number
WO 02/30762 A1

- (51) International Patent Classification⁷: **B65D 5/06, 5/74** (74) Agent: **STRÖM & GULLIKSSON AB**; Box 4188, S-203 13 Malmö (SE).
- (21) International Application Number: PCT/SE01/02190
- (22) International Filing Date: 9 October 2001 (09.10.2001) (81) Designated States (*national*): AE, AG, AL, AM, AT, AU, AZ, BA, BB, BG, BR, BY, BZ, CA, CH, CN, CR, CU, CZ, DE, DK, DM, DZ, EE, ES, FI, GB, GD, GE, GH, GM, HR, HU, ID, IL, IN, IS, JP, KE, KG, KP, KR, KZ, LC, LK, LR, LS, LT, LU, LV, MA, MD, MG, MK, MN, MW, MX, MZ, NO, NZ, PL, PT, RO, RU, SD, SE, SG, SI, SK, SL, TJ, TM, TR, TT, TZ, UA, UG, US, UZ, VN, YU, ZA, ZW.
- (25) Filing Language: English
- (26) Publication Language: English
- (30) Priority Data:
0003644-2 9 October 2000 (09.10.2000) SE
- (71) Applicant (*for all designated States except US*): **FÖR-PACKNINGS AB NORD-EMBALLAGE** [SE/SE]; Box 1026, S-271 00 Ystad (SE). (84) Designated States (*regional*): ARIPO patent (GH, GM, KE, LS, MW, MZ, SD, SL, SZ, TZ, UG, ZW), Eurasian patent (AM, AZ, BY, KG, KZ, MD, RU, TJ, TM), European patent (AT, BE, CH, CY, DE, DK, ES, FI, FR, GB, GR, IE, IT, LU, MC, NL, PT, SE, TR), OAPI patent (BF, BJ, CF, CG, CI, CM, GA, GN, GQ, GW, ML, MR, NE, SN, TD, TG).
- (72) Inventor; and
- (75) Inventor/Applicant (*for US only*): **JEPPSSON, Ulf** [SE/SE]; Dammgatan 34, S-271 42 Ystad (SE).

[Continued on next page]

(54) Title: A PACKAGE



(57) Abstract: A package is made of a cardboard blank with crease lines and has wall panels (1), bottom flaps (2) forming a bottom of the package and top flaps (3), namely short-side flaps (3A) and long-side flaps (3B), folded and heat sealed together to form the top of the package. One of the long-side flaps has at its free end a seal tab (4), which is provided with a heat seal adhesive and is sealed against the opposite long-side flap. The seal tab has a smaller length than the width of the package for enabling it to be brought down into the top of the package for reclosing thereof.



WO 02/30762 A1



Published:

- *with international search report*
- *before the expiration of the time limit for amending the claims and to be republished in the event of receipt of amendments*

For two-letter codes and other abbreviations, refer to the "Guidance Notes on Codes and Abbreviations" appearing at the beginning of each regular issue of the PCT Gazette.

A PACKAGE

Technical Field

5 The present invention relates to a package, which is made of a cardboard blank with crease lines and has wall panels, bottom flaps forming a bottom of the package, and top flaps, namely two long-side flaps extending unbroken over the width of the package and two short-side flaps, 10 said top flaps being folded and heat sealed together to form a top of the package, which may be of the gable top type or the parallelepipedical type.

Background of the Invention

15 Dry foodstuffs, like cereals, meal, and gruel, are most often packed in cardboard boxes or packages of the gable top type or the parallelepipedical type. For different reasons, it is customary to make the cardboard of waste fibres and to pack the foodstuff in an inner bag of for example plastic, which preserves the foodstuff in a 20 good condition, until the bag is opened, and prevents the foodstuff from getting in contact with the waste fibre cardboard.

25 Coated cardboard materials of virgin fibres are now at hand, which are lighter than conventional materials, *per se* are completely tight for dry materials, and do not give any taste or smell to the packed product. In this way the dry foodstuff can be packed directly in the package without any inner bag, provided that the package can be sealed in a tight manner.

30 The Invention

 A problem with a tightly sealed package is that it may be difficult to open and - after use - reclose.

 This problem may according to the invention be solved in that one of the long-side flaps at its free end is 35 provided with a seal tab, which is provided with heat seal adhesive for sealing against the opposite long-side flap or

the opposite wall panel and which has a smaller length than the width of the package for enabling it to be brought down into the top of the package for reclosing thereof.

In order to give easy access to this seal tab it may according to the invention be provided with a lift tab at its free end.

The design according to the invention makes it possible to use the seal tab inserted between one of the long-side flaps and the short-side flaps as a closure means. Hereby moisture and noxious animals can be kept out also after initial opening of the package.

The Drawings

The invention will be described in further detail below reference being made to the accompanying drawings, in which

Figs 1 and 2 are perspective views of a first embodiment of a package according to the invention in a semi-finished form and a finished form, respectively, and

Figs 3 and 4 are similar views of a second embodiment.

Detailed Description of Preferred Embodiments

A package according to the invention is typically made of coated cardboard, preferably manufactured of virgin fibres, which is a prerequisite for allowing foodstuffs to be contained in the package without any inner bag or the like. The cardboard material may contain different layers, for example a barrier layer of EVOH. The coating may for example be polyethylene. The cardboard material is preferably completely tight for dry materials.

A cardboard blank is first cut and creased and is sealed along a side edge in a conventional way to form a semi-finished package, open in both ends, as shown in Fig 1. It appears that this package has wall panels 1, bottom flaps 2, and top flaps 3 (flaps 3A and 3B to be described).

The bottom flaps 2 are then conventionally folded and for example heat-sealed to form a tight bottom, as is illustrated in the lower part of Fig 2.

The package is now ready for filling, preferably with
5 a dry foodstuff, such as cereals, meal, or gruel.

Hereafter the top of the package is to be sealed. In a conventional way the two short-side flaps 3A are folded in along their crease lines, and the two long-side flaps 3B are brought in contact with each other and are heat sealed
10 to form a tight top.

One of the long-side flaps 3B - the rear one in Fig 1 - has integrally therewith but preferably separated by crease lines a seal tab 4 and a lift tab 5. Hot melt adhesive is applied to the seal tab 4, whereupon the two
15 tabs 4 and 5 are folded down over the formed top of the package and the seal tab 4 is sealed by heat to the opposite long-side flap 3B, so that a so called gable top package as shown in Fig 2 is formed.

For initially opening the package, the seal tab 4 may
20 be lifted by the lift tab 5, so that the seal provided by the hot melt adhesive is broken and the long-side flaps 3B may be pulled apart to the extent necessary for allowing pouring out of the contents of the package.

An important aspect of the design is that the package
25 may be reclosed after each opening by pushing down the tabs 4 and 5 between the opposite long-side flap 3B and the folded short-side flaps 3A.

Figs 3 and 4 show a parallelepipedical package instead of the gable top package of Figs 1 and 2. Also this
30 package has wall panels 11, bottom flaps 12 and top flaps 13. From the stage shown in Fig 3, the bottom flaps 12 are conventionally folded and for example heat-sealed to form a tight bottom, as is illustrated in the lower part of Fig 4.

After filling, the top of the package is to be
35 sealed. In a conventional way the two short-side flaps 13A

are folded in along their crease lines, and the upper portions of the long-side flaps 13B (which here are separated from the remainder of the flaps by crease lines) are brought in contact with each other and are heat sealed to form a tight top.

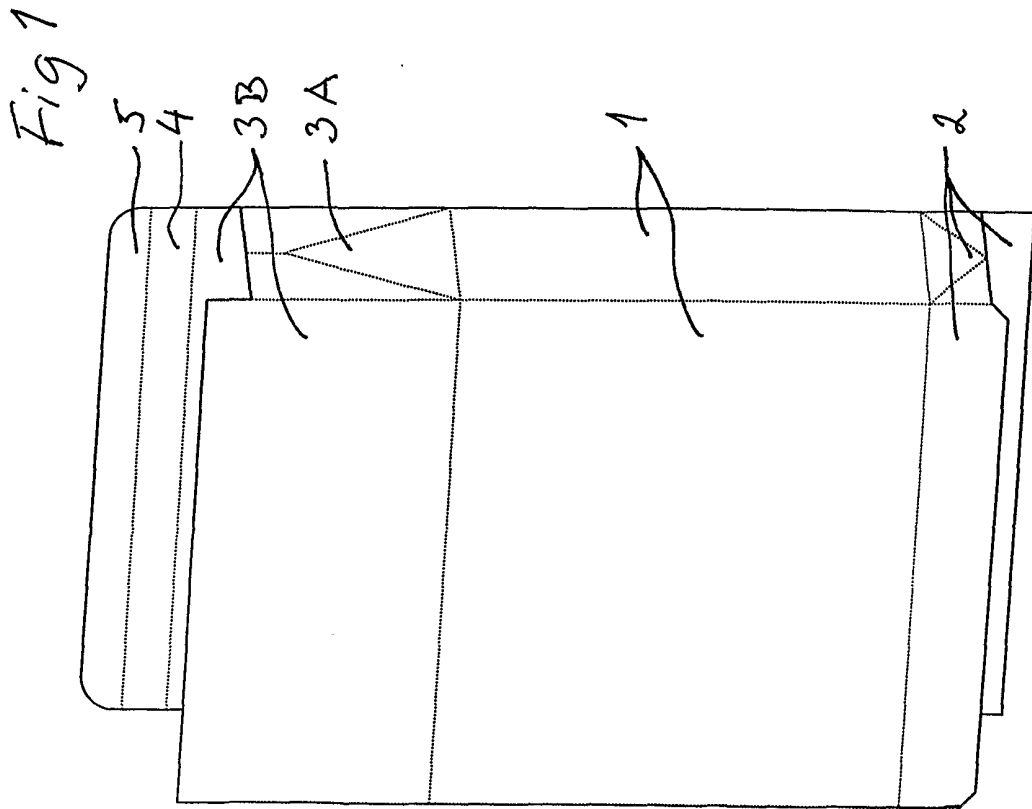
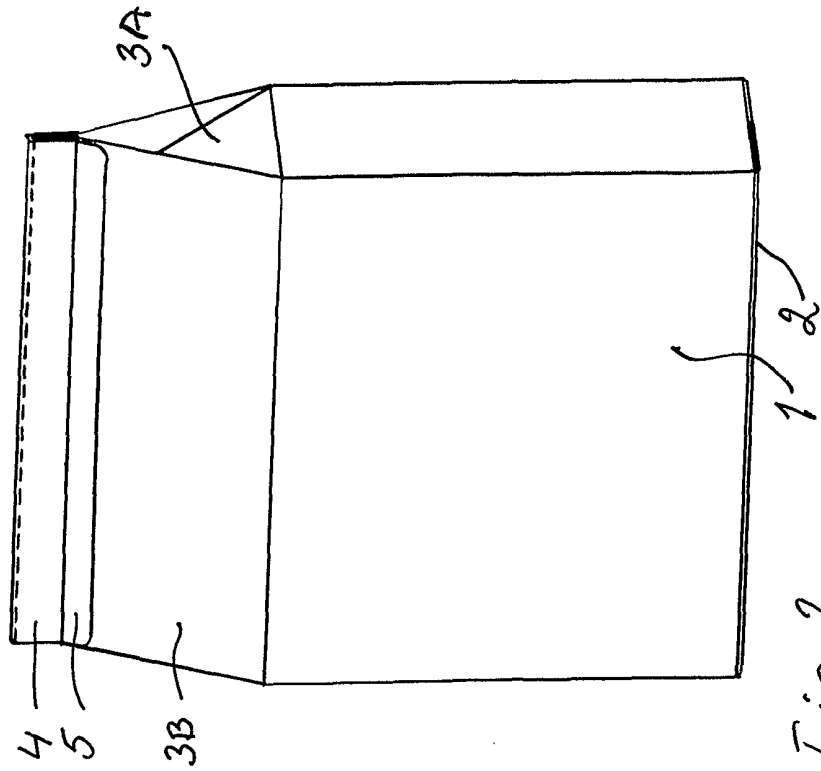
The seal tab 14 formed on the rear long-side flap 13B is provided with hot melt adhesive. The top is folded down, and the seal tab 14 is sealed by heat to the upper portion of the front wall panel 11, so that a parallelepipedical package as shown in Fig 4 is formed.

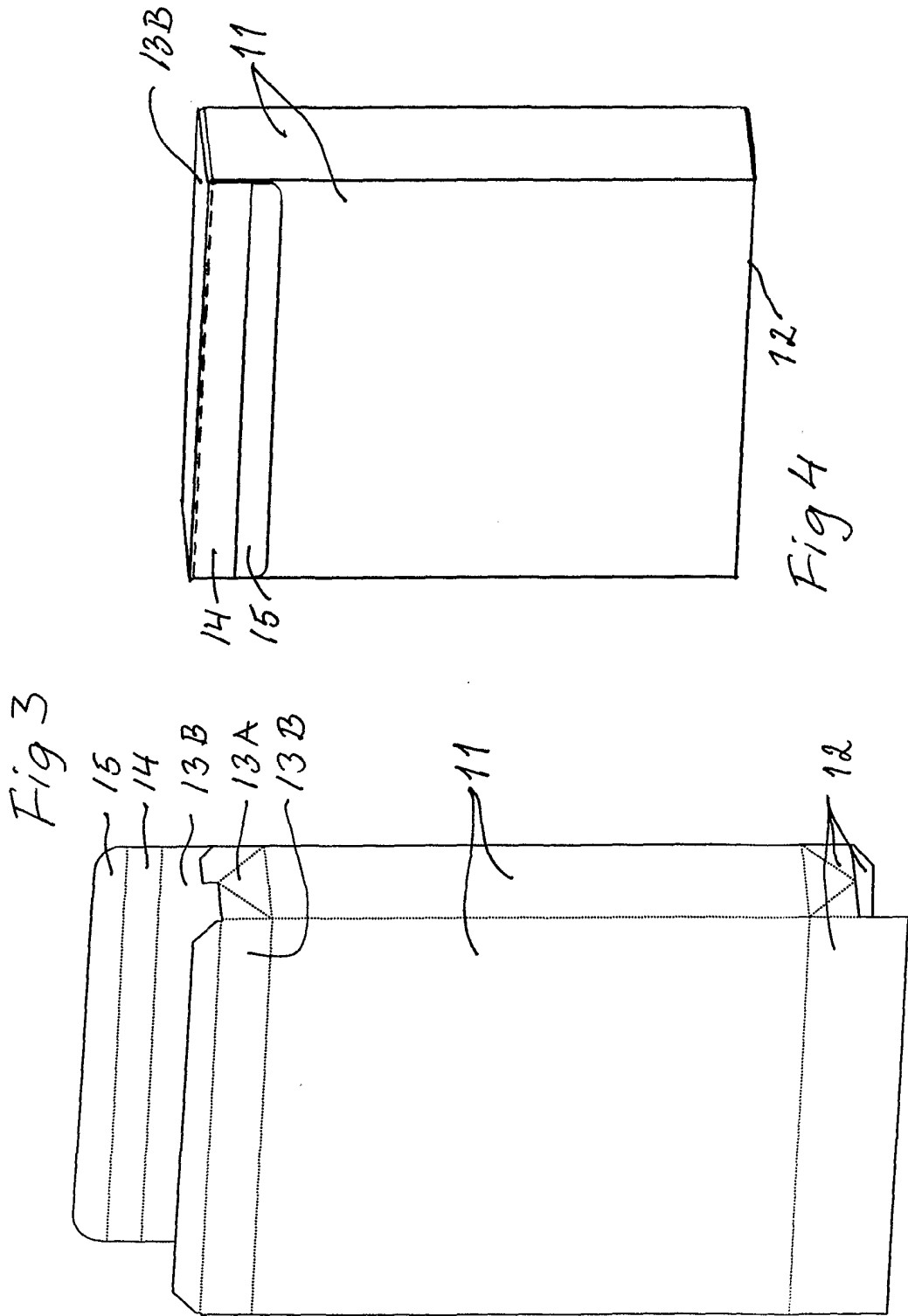
This package can be opened by lifting the lift tab 15 and then reclosed after opening as described above with reference to Figs 1 and 2.

CLAIMS

1. A package, which is made of a cardboard blank with crease lines and has wall panels (1; 11), bottom flaps (2; 12) forming a bottom of the package, and top flaps (3; 13),
5 namely two long-side flaps (3B; 13B) extending unbroken over the width of the package and two short-side flaps (3A; 13A), said top flaps being folded and heat sealed together to form a top of the package, which may be of the gable top type or the parallelepipedical type, **characterized** in that
10 one of the long-side flaps (3B; 13B) at its free end is provided with a seal tab (4; 14), which is provided with heat seal adhesive for sealing against the opposite long-side flap (3) or the opposite wall panel (11) and which has a smaller length than the width of the package for enabling
15 it to be brought down into the top of the package for reclosing thereof.

2. A package according to claim 1, **characterized** in that the seal tab (4; 14) at its free end is provided with a lift tab (5; 15).





INTERNATIONAL SEARCH REPORT

International application No.

PCT/SE 01/02190

A. CLASSIFICATION OF SUBJECT MATTER

IPC7: B65D 5/06, B65D 5/74

According to International Patent Classification (IPC) or to both national classification and IPC

B. FIELDS SEARCHED

Minimum documentation searched (classification system followed by classification symbols)

IPC7: B65D

Documentation searched other than minimum documentation to the extent that such documents are included in the fields searched

SE,DK,FI,NO classes as above

Electronic data base consulted during the international search (name of data base and, where practicable, search terms used)

WPI, EPODOC

C. DOCUMENTS CONSIDERED TO BE RELEVANT

Category*	Citation of document, with indication, where appropriate, of the relevant passages	Relevant to claim No.
A	US 2695745 A (C.H. DIXON), 30 November 1954 (30.11.54), column 3, line 64 - line 72; column 4, line 68 - column 5, line 8, figures 1,2 --	1-2
A	US 3439866 A (P. KÜHNLE), 22 April 1969 (22.04.69), figures 1-4 --	1-2
A	US 4228898 A (CHARLES R. ZEITTER ET AL), 21 October 1980 (21.10.80), figure 1 --	1-2
A	US 4732275 A (THOMAS P. HAMBLETON ET AL), 22 March 1988 (22.03.88), figures 1-4 --	1-2

 Further documents are listed in the continuation of Box C. See patent family annex.

* Special categories of cited documents:

"A" document defining the general state of the art which is not considered to be of particular relevance

"E" earlier application or patent but published on or after the international filing date

"L" document which may throw doubts on priority claim(s) or which is cited to establish the publication date of another citation or other special reason (as specified)

"O" document referring to an oral disclosure, use, exhibition or other means

"P" document published prior to the international filing date but later than the priority date claimed

"T" later document published after the international filing date or priority date and not in conflict with the application but cited to understand the principle or theory underlying the invention

"X" document of particular relevance: the claimed invention cannot be considered novel or cannot be considered to involve an inventive step when the document is taken alone

"Y" document of particular relevance: the claimed invention cannot be considered to involve an inventive step when the document is combined with one or more other such documents, such combination being obvious to a person skilled in the art

"&" document member of the same patent family

Date of the actual completion of the international search

6 February 2002

Date of mailing of the international search report

11-02-2002

Name and mailing address of the ISA/
Swedish Patent Office
Box 5055, S-102 42 STOCKHOLM
Facsimile No. +46 8 666 02 86

Authorized officer

Anna Ahlander/Els
Telephone No. +46 8 782 25 00

INTERNATIONAL SEARCH REPORT

International application No.

PCT/SE 01/02190

C (Continuation). DOCUMENTS CONSIDERED TO BE RELEVANT

Category*	Citation of document, with indication, where appropriate, of the relevant passages	Relevant to claim No.
A	US 5348400 A (MANFRED HAISS ET AL), 20 Sept 1994 (20.09.94), figures 1-5 --	1-2
A	US 5437406 A (ROBERT L. GORDON ET AL), 1 August 1995 (01.08.95), column 3, line 66 - column 4, line 28, figures 10-12 --	1-2
A	US 6047883 A (BARRY GENE CALVERT ET AL), 11 April 2000 (11.04.00), figures 1-19 -- -----	1-2

INTERNATIONAL SEARCH REPORT
Information on patent family members

27/12/02

International application No.
PCT/SE 01/02190

Patent document cited in search report	Publication date	Patent family member(s)	Publication date
US 2695745 A	30/11/54	NONE	
US 3439866 A	22/04/69	NONE	
US 4228898 A	21/10/80	NONE	
US 4732275 A	22/03/88	NONE	
US 5348400 A	20/09/94	AT 149137 T DE 59305531 D EP 0594555 A,B	15/03/97 00/00/00 27/04/94
US 5437406 A	01/08/95	AU 7207394 A IL 110072 A US 5716473 A WO 9501282 A ZA 9404525 A	24/01/95 18/02/97 10/02/98 12/01/95 13/02/95
US 6047883 A	11/04/00	NONE	