



US00D711775S

(12) **United States Design Patent**  
**Paik et al.**

(10) **Patent No.:** **US D711,775 S**

(45) **Date of Patent:** **\*\* Aug. 26, 2014**

(54) **CHEST STRAP CLIP**

(71) Applicant: **Woojin Plastic Co. Ltd.**, Guri-si (KR)

(72) Inventors: **Jisook Paik**, Seoul (KR); **Nan Hee Paik**, Seoul (KR); **Ji Hye Paik**, Seoul (KR); **Ji Won Son**, Seoul (KR)

(73) Assignee: **Woojin Plastic Co. Ltd.**, Guri-Si, Gyeonggi-Do (KR)

(\*\*) Term: **14 Years**

(21) Appl. No.: **29/477,776**

(22) Filed: **Dec. 26, 2013**

(30) **Foreign Application Priority Data**

Jul. 11, 2013 (KR) ..... 30-2013-0035693

(51) **LOC (10) Cl.** ..... **02-07**

(52) **U.S. Cl.**

USPC ..... **D11/218**

(58) **Field of Classification Search**

CPC ..... A44B 11/25; A44B 11/26; A44B 11/00; B60R 22/00

USPC ..... D11/1-2, 200-201, 206-210, 214-218; 24/163 R, 169-171, 173, 177-179, 191, 24/194-195, 197, 200, 614-616, 625, 198, 24/578.11, 578.1, 163 K, 114, 633, 593.1

See application file for complete search history.

(56) **References Cited**

U.S. PATENT DOCUMENTS

D101,216 S *	9/1936	Gibbons	.....	D11/208
2,931,085 A *	4/1960	Benlian	.....	24/370
D237,845 S *	12/1975	Saji	.....	D11/202
D629,715 S *	12/2010	Hermann	.....	D11/210
D637,940 S *	5/2011	Hermann	.....	D11/210
D651,123 S *	12/2011	Kaneko	.....	D11/218
D670,601 S *	11/2012	Paik et al.	.....	D11/218

\* cited by examiner

*Primary Examiner* — Ralf Seifert

(74) *Attorney, Agent, or Firm* — Novick, Kim & Lee, PLLC; Jae Youn Kim

(57) **CLAIM**

We claim, the ornamental design for a chest strap clip, as shown and described.

**DESCRIPTION**

FIG. 1 is a perspective view of a chest strap clip showing our new design;

FIG. 2 is a front elevational view thereof;

FIG. 3 is a rear elevational view thereof;

FIG. 4 is a left side elevational view thereof;

FIG. 5 is a right side elevational view thereof;

FIG. 6 is a top plan view thereof; and,

FIG. 7 is a bottom plan view thereof.

**1 Claim, 3 Drawing Sheets**

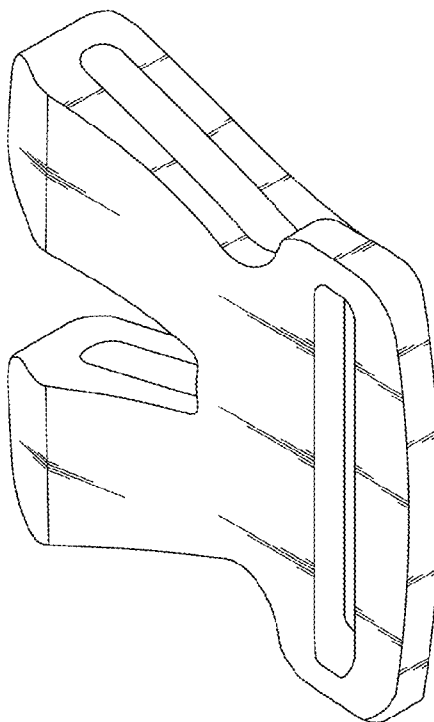


FIG.1

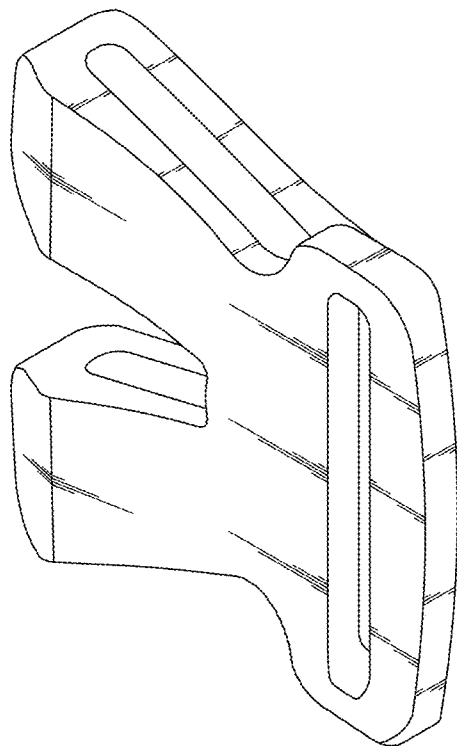


FIG.2

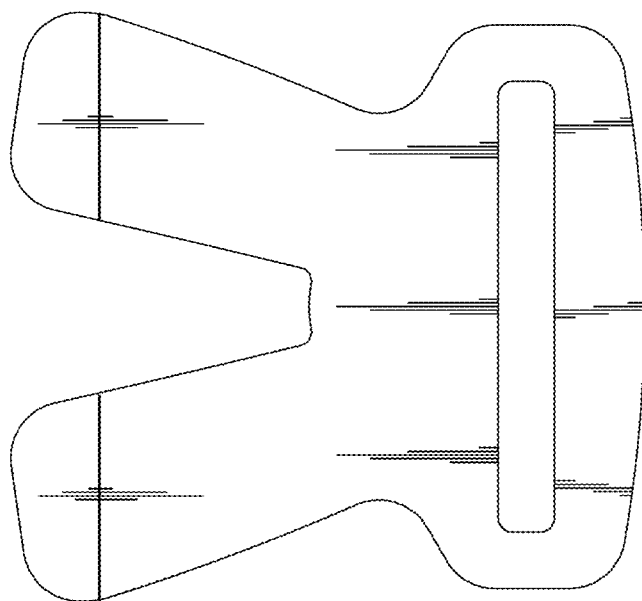


FIG.3

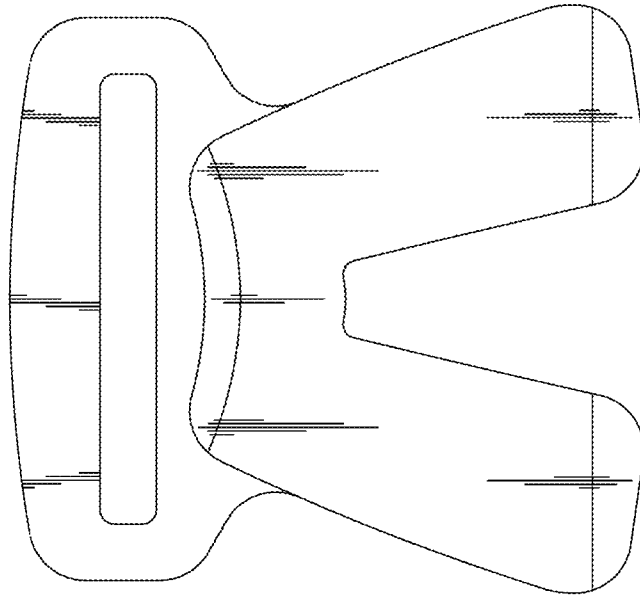


FIG.4

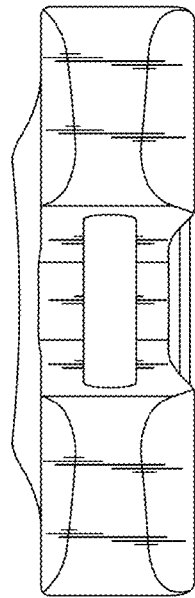


FIG.5

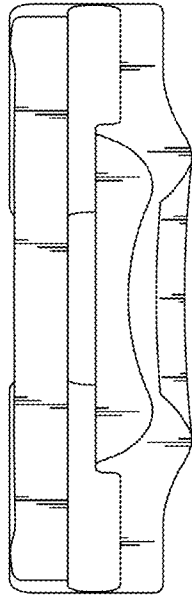


FIG.6

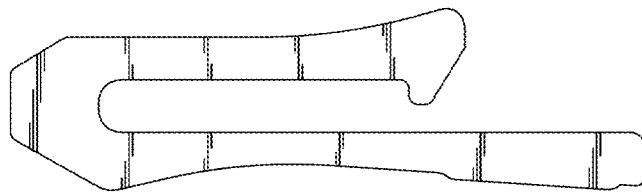


FIG.7

