

(19) World Intellectual Property
Organization
International Bureau



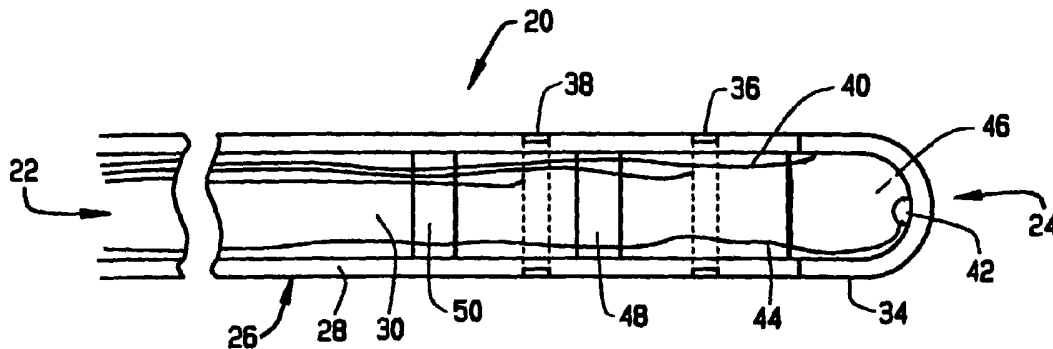
(43) International Publication Date
2 December 2004 (02.12.2004)

PCT

(10) International Publication Number
WO 2004/103436 A3

- (51) International Patent Classification⁷: **A61B 5/04**
- (21) International Application Number:
PCT/US2004/016427
- (22) International Filing Date: 21 May 2004 (21.05.2004)
- (25) Filing Language: English
- (26) Publication Language: English
- (30) Priority Data:
10/443,113 21 May 2003 (21.05.2003) US
- (74) Agent: **WHELOCK, Bryan, K.**; Harness, Dickey & Pierce, P.L.C., 7700 Bonhomme Avenue, Suite 400, St. Louis, MO 63105 (US).
- (81) Designated States (unless otherwise indicated, for every kind of national protection available): AE, AG, AL, AM, AT, AU, AZ, BA, BB, BG, BR, BW, BY, BZ, CA, CH, CN, CO, CR, CU, CZ, DE, DK, DM, DZ, EC, EE, EG, ES, FI, GB, GD, GE, GH, GM, HR, HU, ID, IL, IN, IS, JP, KE, KG, KP, KR, KZ, LC, LK, LR, LS, LT, LU, LV, MA, MD, MG, MK, MN, MW, MX, MZ, NA, NI, NO, NZ, OM, PG, PH, PL, PT, RO, RU, SC, SD, SE, SG, SK, SL, SY, TJ, TM, TN, TR, TT, TZ, UA, UG, US, UZ, VC, VN, YU, ZA, ZM, ZW.
- (84) Designated States (unless otherwise indicated, for every kind of regional protection available): ARIPO (BW, GH, GM, KE, LS, MW, MZ, NA, SD, SL, SZ, TZ, UG, ZM, ZW), Eurasian (AM, AZ, BY, KG, KZ, MD, RU, TJ, TM), European (AT, BE, BG, CH, CY, CZ, DE, DK, EE, ES, FI, FR, GB, GR, HU, IE, IT, LU, MC, NL, PL, PT, RO, SE, SI, SK, TR), OAPI (BF, BJ, CF, CG, CI, CM, GA, GN, GQ, GW, ML, MR, NE, SN, TD, TG).
- (71) Applicant (for all designated States except US): **STEREOTAXIS, INC.** [US/US]; A corporation of the State of Delaware, 4041 Forest Park Avenue, St. Louis, MO 63108 (US).
- (72) Inventors; and
- (75) Inventors/Applicants (for US only): **ENG, Michael** [US/US]; 7351 Kirkwood Lane #116, Maple Grove, MN 55369 (US). **VISWANATHAN, Raju** [IN/US]; 4041 Forest Park Avenue, St. Louis, MO 63108 (US). **WERP, Peter, R.** [US/US]; 4400 Lindell Boulevard #23B, St. Louis, MO 63108 (US). **TUNAY, Ilker** [TR/US]; 4041 Forest Park Avenue, St. Louis, MO 63108 (US). **PANDEY, Ashwini, K.** [IN/US]; 4041 Forest Park Avenue, St. Louis, MO 63108 (US). **MUNGER, Gareth, T.** [US/US]; 1053 Terrace Drive, Richmond Heights, MO 63117 (US).
- Published:
— with international search report
- (88) Date of publication of the international search report:
26 May 2005
- For two-letter codes and other abbreviations, refer to the "Guidance Notes on Codes and Abbreviations" appearing at the beginning of each regular issue of the PCT Gazette.

(54) Title: ELECTROPHYSIOLOGY CATHETER



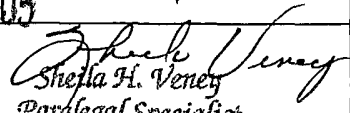
(57) Abstract: An electrophysiology catheter includes a tube having a proximal end, a distal end, and a lumen therebetween. The tube is preferably comprised of multiple sections of different flexibility, arranged so that the flexibility of the catheter increases from the proximal end to the distal end. There is a first generally hollow electrode member at the distal end. At least one magnetically responsive element is disposed at least partially in the hollow electrode, for orienting the distal end of the catheter with an externally applied magnetic field.

WO 2004/103436 A3

INTERNATIONAL SEARCH REPORT

International application No.

PCT/US04/16427

A. CLASSIFICATION OF SUBJECT MATTER IPC(7) : A61B 5/04 US CL : 600/374; 606/41; 128/899 According to International Patent Classification (IPC) or to both national classification and IPC		
B. FIELDS SEARCHED Minimum documentation searched (classification system followed by classification symbols) U.S. : 600/374; 606/41; 128/899 Documentation searched other than minimum documentation to the extent that such documents are included in the fields searched NONE Electronic data base consulted during the international search (name of data base and, where practicable, search terms used) EAST		
C. DOCUMENTS CONSIDERED TO BE RELEVANT		
Category *	Citation of document, with indication, where appropriate, of the relevant passages	Relevant to claim No.
X	US 6,524,303 B1 (GARIBALDI) 25 February 2003 (25.02.2003), See the entire document.	1-30
---		-----
Y		31-40
Y	US 5,429,131 A (SCHEINMAN et al.) 04 July 1995 (04.07.1995), See the entire document.	31-40
A	US 3,674,014 A (TILLANDER) 04 July 1972 (04.07.1972), See the entire document.	1-40
A	US 6,292,678 B1 (HALL et al.) 18 September 2001 (18.09.2001), See the entire document.	1-40
A	US 6,385,472 B1 (HALL et al.) 07 May 2002 (07.05.2002), See the entire document.	
<input type="checkbox"/> Further documents are listed in the continuation of Box C. <input type="checkbox"/> See patent family annex.		
* Special categories of cited documents:	"T"	later document published after the international filing date or priority date and not in conflict with the application but cited to understand the principle or theory underlying the invention
"A" document defining the general state of the art which is not considered to be of particular relevance	"X"	document of particular relevance; the claimed invention cannot be considered novel or cannot be considered to involve an inventive step when the document is taken alone
"E" earlier application or patent published on or after the international filing date	"Y"	document of particular relevance; the claimed invention cannot be considered to involve an inventive step when the document is combined with one or more other such documents, such combination being obvious to a person skilled in the art
"L" document which may throw doubts on priority claim(s) or which is cited to establish the publication date of another citation or other special reason (as specified)	"&"	document member of the same patent family
"O" document referring to an oral disclosure, use, exhibition or other means		
"P" document published prior to the international filing date but later than the priority date claimed		
Date of the actual completion of the international search 06 October 2004 (06.10.2004)	Date of mailing of the international search report 10 JAN 2005	
Name and mailing address of the ISA/US Mail Stop PCT, Attn: ISA/US Commissioner for Patents P.O. Box 1450 Alexandria, Virginia 22313-1450 Facsimile No. (703) 305-3230	Authorized officer Linda Sholl Telephone No. 703 308 1148  Paralegal Specialist Tech. Center 3700	