

(12) INTERNATIONAL APPLICATION PUBLISHED UNDER THE PATENT COOPERATION TREATY (PCT)

(19) World Intellectual Property Organization
International Bureau



(43) International Publication Date
7 June 2001 (07.06.2001)

PCT

(10) International Publication Number
WO 01/40926 A1

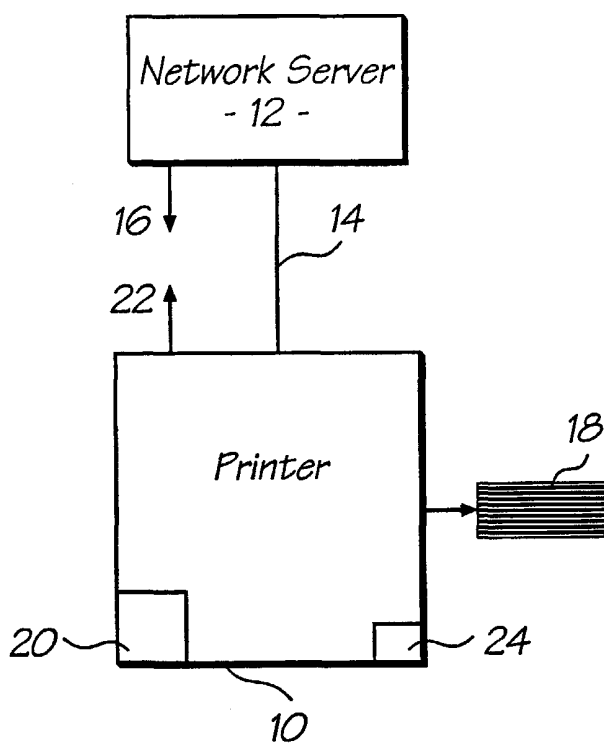
- (51) International Patent Classification⁷: **G06F 3/12, G06K 15/02**
- (21) International Application Number: PCT/AU00/01446
- (22) International Filing Date: 27 November 2000 (27.11.2000)
- (25) Filing Language: English
- (26) Publication Language: English
- (30) Priority Data: PQ 4392 1 December 1999 (01.12.1999) AU
- (71) Applicant (for all designated States except US): **SILVERBROOK RESEARCH PTY LTD** [AU/AU]; 393 Darling Street, Balmain, New South Wales 2041 (AU).
- (74) Agent: **SILVERBROOK, Kia**; Silverbrook Research Pty Ltd, 393 Darling Street, Balmain, New South Wales 2041 (AU).
- (81) Designated States (national): AE, AG, AL, AM, AT, AU, AZ, BA, BB, BG, BR, BY, BZ, CA, CH, CN, CR, CU, CZ, DE, DK, DM, DZ, EE, ES, FI, GB, GD, GE, GH, GM, HR, HU, ID, IL, IN, IS, JP, KE, KG, KP, KR, KZ, LC, LK, LR, LS, LT, LU, LV, MA, MD, MG, MK, MN, MW, MX, MZ, NO, NZ, PL, PT, RO, RU, SD, SE, SG, SI, SK, SL, TJ, TM, TR, TT, TZ, UA, UG, US, UZ, VN, YU, ZA, ZW.
- (84) Designated States (regional): ARIPO patent (GH, GM, KE, LS, MW, MZ, SD, SL, SZ, TZ, UG, ZW), Eurasian patent (AM, AZ, BY, KG, KZ, MD, RU, TJ, TM), European patent (AT, BE, CH, CY, DE, DK, ES, FI, FR, GB, GR, IE, IT, LU, MC, NL, PT, SE, TR), OAPI patent (BF, BJ, CF, CG, CI, CM, GA, GN, GW, ML, MR, NE, SN, TD, TG).

- (72) Inventors; and
- (75) Inventors/Applicants (for US only): **SILVERBROOK, Kia** [AU/AU]; Silverbrook Research Pty Ltd, 393 Darling Street, Balmain, New South Wales 2041 (AU). **LAPSTUN, Paul** [NO/AU]; 13 Duke Avenue, Rodd Point, New South Wales 2046 (AU).

Published:
— With international search report.

For two-letter codes and other abbreviations, refer to the "Guidance Notes on Codes and Abbreviations" appearing at the beginning of each regular issue of the PCT Gazette.

(54) Title: PRINTER WITH VACATION MODE



(57) Abstract: A document delivery system including a server (12) for receiving and/or generating documents and for transmitting said documents to a user (10), the system having a first operative mode in which the server (12) transmits documents to the user (10) and a second operative mode in which the server (12) does not transmit documents to the user (10) and the system (12) stores data relating to any pending document which has not been transmitted to the user (10) and, when the mode changes from the second mode to the first mode the system (12) retrieves or generates an electronic summary of the pending document or documents and transmits a user summary corresponding to the electronic summary to the user (10).



WO 01/40926 A1

- 1 -

PRINTER WITH VACATION MODE

TECHNICAL FIELD

This invention relates to semi-automatic provision of data and documents to users. More particularly it relates to printers capable of being switched to a "vacation" mode.

5 CO-PENDING APPLICATIONS

Various methods, systems and apparatus relating to the present invention are disclosed in the following co-pending applications filed by the applicant or assignee of the present invention simultaneously with the present invention:

10 PCT/AU00/01442, PCT/AU00/01444, PCT/AU00/01446, PCT/AU00/01445,
PCT/AU00/01450, PCT/AU00/01453, PCT/AU00/01448, PCT/AU00/01447,
PCT/AU00/01459, PCT/AU00/01451, PCT/AU00/01454, PCT/AU00/01452,
PCT/AU00/01443, PCT/AU00/01455, PCT/AU00/01456, PCT/AU00/01457,
PCT/AU00/01458 and PCT/AU00/01449.

The disclosures of these co-pending applications are incorporated herein by cross-reference.

15 Various methods, systems and apparatus relating to the present invention are disclosed in the following co-pending applications filed by the applicant or assignee of the present invention on 20 October 2000:

20 PCT/AU00/01273, PCT/AU00/01279, PCT/AU00/01288, PCT/AU00/01282,
PCT/AU00/01276, PCT/AU00/01280, PCT/AU00/01274, PCT/AU00/01289,
PCT/AU00/01275, PCT/AU00/01277, PCT/AU00/01286, PCT/AU00/01281,
PCT/AU00/01278, PCT/AU00/01287, PCT/AU00/01285, PCT/AU00/01284 and
PCT/AU00/01283.

The disclosures of these co-pending applications are incorporated herein by cross-reference.

25 Various methods, systems and apparatus relating to the present invention are disclosed in the following co-pending applications filed by the applicant or assignee of the present invention on 15 September 2000:

PCT/AU00/01108, PCT/AU00/01110 and PCT/AU00/01111.

The disclosures of these co-pending applications are incorporated herein by cross-reference.

Various methods, systems and apparatus relating to the present invention are disclosed in the following co-pending applications filed by the applicant or assignee of the present invention on 30 June 2000:

5 PCT/AU00/00762, PCT/AU00/00763, PCT/AU00/00761, PCT/AU00/00760,
PCT/AU00/00759, PCT/AU00/00758, PCT/AU00/00764, PCT/AU00/00765,
PCT/AU00/00766, PCT/AU00/00767, PCT/AU00/00768, PCT/AU00/00773,
PCT/AU00/00774, PCT/AU00/00775, PCT/AU00/00776, PCT/AU00/00777,
PCT/AU00/00770, PCT/AU00/00769, PCT/AU00/00771, PCT/AU00/00772,
10 PCT/AU00/00754, PCT/AU00/00755, PCT/AU00/00756 and PCT/AU00/00757.

The disclosures of these co-pending applications are incorporated herein by cross-reference.

Various methods, systems and apparatus relating to the present invention are disclosed in the following co-pending applications filed by the applicant or assignee of the present invention on 24 May 2000:

15 PCT/AU00/00518, PCT/AU00/00519, PCT/AU00/00520, PCT/AU00/00521,
PCT/AU00/00522, PCT/AU00/00523, PCT/AU00/00524, PCT/AU00/00525,
PCT/AU00/00526, PCT/AU00/00527, PCT/AU00/00528, PCT/AU00/00529,
PCT/AU00/00530, PCT/AU00/00531, PCT/AU00/00532, PCT/AU00/00533,
PCT/AU00/00534, PCT/AU00/00535, PCT/AU00/00536, PCT/AU00/00537,
20 PCT/AU00/00538, PCT/AU00/00539, PCT/AU00/00540, PCT/AU00/00541,
PCT/AU00/00542, PCT/AU00/00543, PCT/AU00/00544, PCT/AU00/00545,
PCT/AU00/00547, PCT/AU00/00546, PCT/AU00/00554, PCT/AU00/00556,
PCT/AU00/00557, PCT/AU00/00558, PCT/AU00/00559, PCT/AU00/00560,
PCT/AU00/00561, PCT/AU00/00562, PCT/AU00/00563, PCT/AU00/00564,
25 PCT/AU00/00565, PCT/AU00/00566, PCT/AU00/00567, PCT/AU00/00568,
PCT/AU00/00569, PCT/AU00/00570, PCT/AU00/00571, PCT/AU00/00572,
PCT/AU00/00573, PCT/AU00/00574, PCT/AU00/00575, PCT/AU00/00576,
PCT/AU00/00577, PCT/AU00/00578, PCT/AU00/00579, PCT/AU00/00581,
PCT/AU00/00580, PCT/AU00/00582, PCT/AU00/00587, PCT/AU00/00588,
30 PCT/AU00/00589, PCT/AU00/00583, PCT/AU00/00593, PCT/AU00/00590,
PCT/AU00/00591, PCT/AU00/00592, PCT/AU00/00594, PCT/AU00/00595,

- 3 -

PCT/AU00/00596, PCT/AU00/00597, PCT/AU00/00598, PCT/AU00/00516,
PCT/AU00/00517 and PCT/AU00/00511.

The disclosures of these co-pending applications are incorporated herein by cross-reference.

BACKGROUND ART

5 Current on-demand printers, such as laser printers, generally have two effective modes, on and off. When turned on, a printer will, generally, accept and print any print job sent to it. When turned off, the printer neither accepts nor prints any print job. We have proposed in our co-pending application PCT/AU00/00561 (Docket No. NPP003), the contents of which is incorporated herein by reference, a system in which a printer is
10 permanently connected to a network. The user of the printer subscribes to publications, such as newspapers and the network sends print jobs to the printer in fulfillment of the user's subscriptions.

DISCLOSURE OF THE INVENTION

In one broad form the invention provides printing system including a printer for
15 printing documents based at least in part on print data and a server for receiving and/or generating print jobs and for transmitting print data to the printer corresponding to the print jobs, the system having a first operative mode in which the server transmits print data to the printer and the printer prints documents and a second operative mode, in which the printer does not print documents and the system stores data relating to pending print job which has
20 not been printed and when the mode changes from the second mode to the first mode the system retrieves or generates an electronic summary of the pending print jobs and causes the printer to print a printed summary corresponding to the electronic summary.

The system preferably includes selection mechanisms to enable the user to either delete or print each document. In the preferred form the printer is a netpage printer and
25 each page of the summary is printed with tags to enable interaction with the paper directly by way of a netpage pen. The paper may be pre-printed with tags or the printer may print the tags with the document summary information.

- 4 -

If netpage tags are provided on the printed summary the user may use a netpage pen or similar sensor to select printing or deletion of each document by selecting an appropriate area on the page(s). The summary may have a "print all" and a "delete all" options on each page, only the last or only the first page of the summary.

5 If the pages are not netpage enabled the documents are preferably identified by a separate code or codeword to enable the user to make similar selections via an alternate user interface. The interface may be the control panel of the printer.

After each document is printed, it is preferably deleted from the electronic summary.

10 If the user neither deletes nor prints a document it remains on the electronic summary. The system may delete the electronic summary after a preset period of time, such as a week. This period may be set by the system administrator or by the user, or both may be able to set a period, the user sets the period being no longer than the administrator-set period. Administrator set periods may be set globally, for groups or classes of users
15 and/or on an individual basis.

In the preferred form, a summary of documents is only printed when the printer has been in a specific "vacation" mode. The system may be set up so that it also prints a summary when the printer has been off-line or off for more than certain periods. The system may automatically print documents less than a certain age or may print a summary
20 for all documents which have not been printed. This may be set by users for each printer or the system administrator may set it for classes of users or printers and/or an individual basis.

The system may override the user's "vacation" setting to ensure that important documents are printed, without the user being able to prevent their printing. Where the
25 printer cannot be turned off, this may occur at any time or when the printer mode returns to the "normal" mode. If the printer can be turned off the system may print these documents as soon as the printer is turned on again.

The invention also has application to non-printing subscription services, such as an electronic subscription service in which a user subscribes to electronic publications rather than to printed publications. Accordingly, the invention also provides, in one broad form, a document delivery system including a server for receiving and/or generating documents and for transmitting said documents to a user, the system having a first operative mode in which the server transmits documents to the user and a second operative mode in which the server does not transmit documents to the user and the system stores data relating to any pending document which has not been transmitted to the user and, when the mode changes from the second mode to the first mode the system generates an electronic summary of the pending document or documents and transmits a user summary corresponding to the electronic summary to the user.

The document delivery system operates in a similar manner to the printing system and the features mentioned in relation to the printing system apply equally to the document delivery system.

BRIEF DESCRIPTION OF THE DRAWINGS

Fig. 1 is a schematic of a system utilizing the present invention;

Fig. 2 shows a printed summary page;

BEST MODE OF CARRYING OUT THE INVENTION

The preferred embodiment of the invention is implemented in the netpage system as disclosed in our co-pending application PCT/AU00/00561 referred to earlier. In that system printers are connected to a network and users subscribe to publications such as newspapers and magazines. The publications are printed on the printers "automatically" with network servers initiating the printing process rather than the end user. The following description is of an embodiment of the invention as used in the netpage system and for a full explanation of the netpage system reference is made to the earlier application. A simplified explanation of the netpage system follows.

Referring to the drawings there is shown a netpage printer 10 connected to a server 12 via network 14. The server periodically generates print data 16 which is sent to the

- 6 -

printer 10. On receipt of print jobs the printer prints documents 18 based at least partially on the print data 16. The printer is in two-way communication with the server via any appropriate method and protocol, e.g. LAN, WAN, Internet, radio, or mobile phone system. The printer includes a control panel 20 by which the some operations of the printer may be controlled. The printer includes at least a "normal" mode of operation and a "vacation" mode of operation. The printer may also have an "off" mode. These modes are selectable by the control panel. The "off" mode may be selected by a separate power switch 24 or by the control panel 20. The "vacation" mode and the "off" mode may be the same mode, or the "off" mode may imply the "vacation" mode

10 In the "normal" mode, the printer 10 accepts print data 16 from the server and prints the print jobs as soon as possible after receipt of the print job or as set by the user or the server; the printer may be set to delay printing print jobs received during the night, for instance.

15 In the "off" mode the printer does not accept print data sent to it by the server 12 and so does not print anything.

The "vacation" mode is for use when the user of the printer is absent from the location for a significant period of time, such as when on vacation. As mentioned above, the user subscribes to publications and may not wish those publications to be printed whilst away. For example, generally, one does not read a two-week old newspaper so printing a newspaper whilst the user is away is wasteful.

Before the user leaves the location, the user uses the control panel 20 to switch the printer to "vacation" mode. Alternatively the printer may be turned "off", if this is an available option.

25 When placed in the "vacation" mode, the printer 10 transmits a "vacation" signal 22 to the server indicating that the printer is in "vacation" mode. The printer may send a "vacation" signal once on entry into the "vacation" mode or it may send the signal periodically. If the signal is sent once, preferably the server acknowledges receipt of the signal. If the printer does not receive acknowledgement preferably it resends the "vacation" signal at predetermined intervals until the server acknowledges. Preferably the "vacation"

- 7 -

signal includes data relating to the time and date that the printer was placed in "vacation" mode. This is to enable the server to determine when the printer entered the "vacation" mode, since there may be a delay between entering the "vacation" mode and the server receiving advice of such. This is not essential as the server will keep track of documents
5 which have not been printed. The printer may also turn off all functions relating to printing and optionally not accept print jobs from any source. In the preferred form of use, the printer is only provided with print data by the server and so it is not necessary to accommodate other sources of print jobs. Once acknowledgement from the server has been received, the printer may turn itself off totally. The server records that the printer is in
10 "vacation" mode and does not send any print jobs to the printer. Instead the server records information identifying the documents which would have been printed if the printer were in the "normal" mode. This information may be the documents themselves or references to the documents.

When the user returns from vacation, the user changes the printer mode from
15 "vacation" to "normal". This may be merely by turning the printer back on or by changing modes using the control panel. Preferably when the printer is turned on it defaults to the "normal" mode. When the printer enters the "normal" mode, either on power on or on changing from "vacation" mode, it sends a "normal mode" signal to the print server. Again the server preferably acknowledges receipt of the signal and preferably the printer will
20 periodically send the signal until acknowledged. The printer preferably sends a "normal mode" signal whenever it enters the "normal" mode.

When the server receives a "normal mode" signal, it determines if the printer has merely been turned on or if it has changed state from a "vacation" mode to a "normal" mode. If the server determines that the printer has been merely turned on, it sends print data
25 relating to print jobs which should have been printed whilst the printer was off. However if the server determines that the printer state has changed from a "vacation" mode to a "normal" mode, it extracts information relating to all the "pending" documents which would have been printed whilst the printer was in "vacation" mode. The server then compiles a summary of the various documents and forwards this data to the printer to print
30 a summary sheet 30 (see Fig. 2). The user may subscribe to a daily newspaper and a

number of magazines, for example, and so the user may wish to print the magazines but not the newspapers and the summary enables the user to select what documents to print.

The summary sheet is printed by the printer and the user then peruses the summary. For each document on the summary there is provided the option of printing the document 34 or "deleting" the document 36. In this context, "deletion" means not printing the document and deleting the summary entry in the electronic summary, rather than deleting the actual document data itself since a document, such as a newspaper, may be printed for many users. The user may select one or none of the two options for each document of the summary. For those documents where "print" is selected, the server compiles the print job and sends appropriate print data to the printer for immediate printing. Once the document has been successfully printed, the server deletes the reference to the document for the list of "pending" documents. For "deleted" documents the server deletes the document for the list of pending documents without printing the document. If the user makes no selection the data in the summary relating to the document is unchanged.

In the preferred embodiment the printer is a netpage printer which prints netpages, as described our co-pending application PCT/AU00/00561. Netpages are printed with invisible tags which can be sensed by a netpage pen to provide interactive features of the netpage. Selection of an option may be by way of the netpage pen. As an alternative the summary may include an ID 38 for each document 32 on the summary. Options for each document may be entered into the system using the printer's control panel or another user interface. This is an option if the printer is not netpage enabled or a netpage pen is not available.

Preferably the summary sheet includes an option to print everything 40 and an option to delete everything 42. Printing or deletion of each document may occur as soon as one of the two options 34,36 is selected. Alternatively any selection(s) may only be activated on clicking on a send button 44 on the page. The print everything and delete everything options 40 and 42 may be printed on each page of the summary, only on the first page or only on the last page.

The server may maintain a list of pending documents for a predetermined period after a printer is changed from "vacation" mode to "normal" mode and at the end of the

- 9 -

period any documents on the summary will be deleted. This may be a week or forever, for example. Any period may be chosen by the system administrator, such as a week or a month. If desired, the documents may never be deleted. The period may be the same for all users on the system or it may be capable of being set for each class of users or individual users. Each user may have the option of setting a period which is shorter, but typically never longer, than that set by the system administrator.

In an alternate embodiment, when the printer is in the "vacation" mode, it remains online and receives all print jobs sent by the server. The printer stores the print job information in its memory but does not print anything. On changing from "vacation" to "normal" mode, the printer prints a summary of the stored print jobs for the user to select from. Selected print jobs are printed and the information deleted from memory, deleted jobs are deleted from the printer memory and jobs which are neither printed nor deleted remain in the printer's memory for a selected period of time. It will be appreciated that where the printer receives and stores print jobs a non-volatile memory will be preferred for document storage. As an alternative, the printer may use its RAM memory to store print jobs.

In the preferred embodiment the system differentiates between the printer being in "normal" mode, turned off, off-line or in "vacation" mode and only prints a summary of pending documents if the printer was in "vacation" mode. It will be appreciated that the system may generate a summary when the printer changes from being off or off-line to being in "normal" mode as well as from being in "vacation" mode. The summary may be generated automatically or only if the printer has been off or off-line for more than a predetermined period of time. For example if the printer runs out of paper or ink it may go off-line. If the supplies are replenished within a few minutes the user would usually desire any pending print jobs to print automatically. However, if the printer has been off-line for a few days the user may prefer to see a summary of pending print jobs before any of those print jobs are printed. Again this period may be set by the administrator on a global basis or on an individual user or class of user basis. The user may be allowed to set a different period.

In some circumstances there may be print jobs which must be printed, irrespective of the end user's desires, such as a bill from a service provider. Accordingly, there is an

- 10 -

option for the creator of a print job to specify an "force print" flag such that the document is automatically printed as soon as the printer is set to its "normal" mode. Alternatively the print job may be printed whilst the printer is in its "vacation" mode, with the "force print" flag temporarily overriding the "vacation" mode status.

5 In the preferred embodiment the server to which the printer sends its "vacation" and "normal" mode signals may be different from the one or more servers from which print jobs originate, since in the netpage system printer specific mode information is typically recorded by one or more registration servers in a form which may be queried by other servers. Furthermore, the one or more servers from which print jobs originate may be
10 different from the one or more servers from which the pending print jobs or the summary of pending print jobs ultimately emerge, since in the netpage system page servers provide persistent storage of print jobs and may do so even when the target printer is not receptive

 The present invention has been described with reference to a preferred embodiment and number of specific alternative embodiments. However, it will be
15 appreciated by those skilled in the relevant fields that a number of other embodiments, differing from those specifically described, will also fall within the spirit and scope of the present invention. Accordingly, it will be understood that the invention is not intended to be limited to the specific embodiments described in the present specification, including documents incorporated by cross-reference as appropriate. The scope of the invention is
20 only limited by the attached claims.

WE CLAIM:

1. A printing system including a printer for printing documents based at least in part on print data and a server for receiving and/or generating print jobs and for transmitting print data to the printer corresponding to the print jobs, the system having a
5 first operative mode in which the server transmits print data to the printer and the printer prints documents and a second operative mode, in which the printer does not print documents and the system stores data relating to pending print job which has not been printed and when the mode changes from the second mode to the first mode the system retrieves or generates an electronic summary of the pending print jobs and causes the
10 printer to print a printed summary corresponding to the electronic summary.
2. The system of claim 1 including selection means to enable a user to select any print job on the printed summary for:
 - a) printing, or
 - b) deletion from the electronic summary.
- 15 3. The system of claim 2 wherein a print job selected on the printed summary for printing is printed and a print job selected on the printed summary for deletion is deleted from the electronic summary.
4. The system of claim 3 wherein the a print job selected on the printed summary for printing is deleted from the electronic summary after printing.
- 20 5. The system of claim 1 wherein each entry in the electronic summary is retained for a selected period of time after entering the first mode from the second mode unless the respective entry is deleted beforehand and at the end of the selected period any entries in the electronic summary are deleted.

- 12 -

6. The system of claim 1 wherein in the second mode the server stores the data relating to the print jobs and on changing from the second to the first mode the server generates the electronic summary and forwards a print job corresponding to the electronic summary to the printer.
- 5 7. The system of claim 1 wherein in the second mode the server transmits print data to the printer and the printer receives and stores the print data and on changing from the second to the first mode the printer generates the electronic and printed summaries.
8. The system of claim 1 further including a user interface for changing the
10 operative mode of the system between the first and second modes or vice versa.
9. The system of claim 2, wherein the selection means includes a user interface on the printer.
10. The system of claim 1 wherein the pages are printed with coded data indicative of a print selection and a delete selection for each entry and the selection means
15 includes a sensor for sensing the coded data.
11. A server for receiving and/or generating print jobs and for transmitting print data corresponding to the print jobs to one or more printers, the server having first and second operative modes for each printer, wherein in the first operative mode the server transmits print data to the printer for printing and, in the second operative mode the
20 server receives and/or generates print jobs but does not send print data to the respective printer and the system stores data relating to any pending print job which has not been printed and, when the mode changes from the second mode to the first mode the server retrieves or generates an electronic summary and causes the respective printer to print a printed summary corresponding to the electronic summary.
- 25 12. The server of claim 1 wherein a print job selected on the printed summary for printing is printed and a print job selected on the printed summary for deletion is deleted from the electronic summary.

13. The server of claim 12 wherein the a print job selected on the printed summary for printing is deleted from the electronic summary after printing.
14. The server of claim 11 wherein each entry in the electronic summary is retained for a selected period of time after entering the first mode from the second mode unless
5 the respective entry is deleted beforehand and at the end of the selected period any entries in the electronic summary are deleted.
15. The system of claim 11 wherein in the second mode the server stores the data relating to the print jobs and on changing from the second to the first mode the server generates the electronic summary and forwards a print job corresponding to the
10 electronic summary to the respective printer.
16. A document delivery system including a server for receiving and/or generating documents and for transmitting said documents to a user, the system having a first operative mode in which the server transmits documents to the user and a second operative mode in which the server does not transmit documents to the user and the
15 system stores data relating to any pending document which has not been transmitted to the user and, when the mode changes from the second mode to the first mode the system generates an electronic summary of the pending document or documents and transmits a user summary corresponding to the electronic summary to the user.
17. The system of claim 15 including selection means to enable a user to select any
20 document on the user summary for:
- a) transmittal to the user; or
 - b) deletion from the electronic summary.
18. The system of claim 17 wherein a document selected on the user summary for transmittal is transmitted and a document selected on the user summary for deletion is
25 deleted from the electronic summary.
19. The system of claim 17 wherein the document selected on the user summary for transmittal to the user is deleted from the electronic summary after transmittal.

20. The system of claim 16 wherein each entry in the electronic summary is retained for a selected period of time after entering the first mode from the second mode unless the respective entry is deleted beforehand and at the end of the selected period any entries in the electronic summary are deleted.

1/1

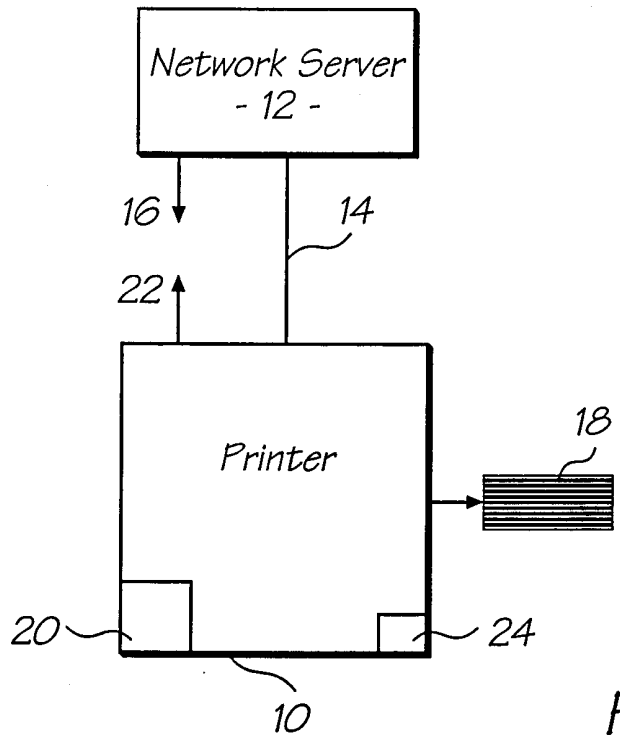


FIG. 1

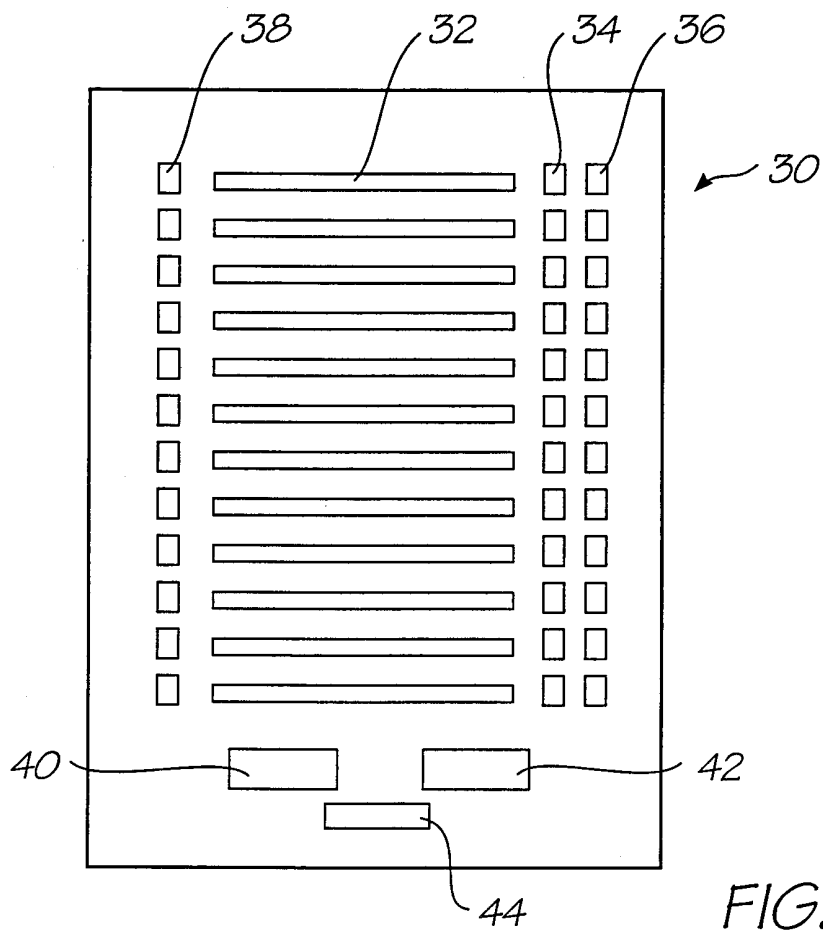


FIG. 2

INTERNATIONAL SEARCH REPORT

International application No.
PCT/AU00/01446

A. CLASSIFICATION OF SUBJECT MATTER																	
Int. Cl. ⁷ : G06F 3/12; G06K 15/02																	
According to International Patent Classification (IPC) or to both national classification and IPC																	
B. FIELDS SEARCHED																	
Minimum documentation searched (classification system followed by classification symbols) IPC: G06F 3/12; G06K 15/02																	
Documentation searched other than minimum documentation to the extent that such documents are included in the fields searched																	
Electronic data base consulted during the international search (name of data base and, where practicable, search terms used) WPAT																	
C. DOCUMENTS CONSIDERED TO BE RELEVANT																	
Category*	Citation of document, with indication, where appropriate, of the relevant passages	Relevant to claim No.															
P,A	Derwent accession number 2000-371369/32, class T01, JP 2000122832-A (CANO) 28 April 2000																
P,A	Derwent accession number 2000-214430/19, class P75;T01, Jp 11345099-A (NIDE) 14 December 1999																
A	US 4947345A (Paradise et al) 07 August 1990																
A	WO 89/06024A1 (Eastman Kodak Company) 29 June 1989																
<input type="checkbox"/> Further documents are listed in the continuation of Box C <input checked="" type="checkbox"/> See patent family annex																	
* Special categories of cited documents: <table border="0" style="width: 100%;"> <tr> <td style="width: 30%;">"A" document defining the general state of the art which is not considered to be of particular relevance</td> <td style="width: 10%;">"T"</td> <td>later document published after the international filing date or priority date and not in conflict with the application but cited to understand the principle or theory underlying the invention</td> </tr> <tr> <td>"E" earlier application or patent but published on or after the international filing date</td> <td>"X"</td> <td>document of particular relevance; the claimed invention cannot be considered novel or cannot be considered to involve an inventive step when the document is taken alone</td> </tr> <tr> <td>"L" document which may throw doubts on priority claim(s) or which is cited to establish the publication date of another citation or other special reason (as specified)</td> <td>"Y"</td> <td>document of particular relevance; the claimed invention cannot be considered to involve an inventive step when the document is combined with one or more other such documents, such combination being obvious to a person skilled in the art</td> </tr> <tr> <td>"O" document referring to an oral disclosure, use, exhibition or other means</td> <td>"&"</td> <td>document member of the same patent family</td> </tr> <tr> <td>"P" document published prior to the international filing date but later than the priority date claimed</td> <td></td> <td></td> </tr> </table>			"A" document defining the general state of the art which is not considered to be of particular relevance	"T"	later document published after the international filing date or priority date and not in conflict with the application but cited to understand the principle or theory underlying the invention	"E" earlier application or patent but published on or after the international filing date	"X"	document of particular relevance; the claimed invention cannot be considered novel or cannot be considered to involve an inventive step when the document is taken alone	"L" document which may throw doubts on priority claim(s) or which is cited to establish the publication date of another citation or other special reason (as specified)	"Y"	document of particular relevance; the claimed invention cannot be considered to involve an inventive step when the document is combined with one or more other such documents, such combination being obvious to a person skilled in the art	"O" document referring to an oral disclosure, use, exhibition or other means	"&"	document member of the same patent family	"P" document published prior to the international filing date but later than the priority date claimed		
"A" document defining the general state of the art which is not considered to be of particular relevance	"T"	later document published after the international filing date or priority date and not in conflict with the application but cited to understand the principle or theory underlying the invention															
"E" earlier application or patent but published on or after the international filing date	"X"	document of particular relevance; the claimed invention cannot be considered novel or cannot be considered to involve an inventive step when the document is taken alone															
"L" document which may throw doubts on priority claim(s) or which is cited to establish the publication date of another citation or other special reason (as specified)	"Y"	document of particular relevance; the claimed invention cannot be considered to involve an inventive step when the document is combined with one or more other such documents, such combination being obvious to a person skilled in the art															
"O" document referring to an oral disclosure, use, exhibition or other means	"&"	document member of the same patent family															
"P" document published prior to the international filing date but later than the priority date claimed																	
Date of the actual completion of the international search 07 March 2001		Date of mailing of the international search report 13 March 2001															
Name and mailing address of the ISA/AU AUSTRALIAN PATENT OFFICE PO BOX 200, WODEN ACT 2606, AUSTRALIA E-mail address: pct@ipaustalia.gov.au Facsimile No. (02) 6285 3929		Authorized officer M. EMAMI Telephone No : (02) 6283 2204															

INTERNATIONAL SEARCH REPORT
Information on patent family members

International application No.
PCT/AU00/01446

This Annex lists the known "A" publication level patent family members relating to the patent documents cited in the above-mentioned international search report. The Australian Patent Office is in no way liable for these particulars which are merely given for the purpose of information.

Patent Document Cited in Search Report		Patent Family Member			
US	4947345	EP	410668	JP	3075861
WO	8906024	NONE			
JP	2000122832	NONE			
JP	11345099	NONE			

END OF ANNEX